

ADVANCED HIGH CEILING

Tetriss 2.0 - W+RGB



High-performing fixture that can be configured with any combination of white and RGB modules.



Quantity	Type
Project	Note

Electrical System

- 15330 lm (200W)
- 30660 lm (400W)
- 45990 lm (600W)
- Power Input: Universal (120-277V); HVT (347-480V)
- Operating Temperature: -40°F~112°F
- Surge Protection: 10KV

LED Technology

- White / CCT 3000K, 4000K , 5000K
- RGB / Wavelength R:630nm G:530nm B:475nm
- 75 CRI, 85 CRI
- Beam Angle: 25°, 40°, 60°
- Rated Life > 60,000 hours (L70)

Advanced Dimming

(Proprietary VX Driver is incorporated to all dimming options for video flicker-free lighting)

- DMX: high resolution dims to 0.1% (Supports ANSI E1.20 RDM protocol)

Housing

- Material: Aluminum, Tempered Glass
- Weight: 200W / 18lbs, 400W / 37.48lbs, 600W /

Mounting

- Bracket Mount (AC/Dimming cable length: Standard /

Warranty

- 5 years limited warranty.

Listing

- ETL Damp Location Listed
- CE



ADVANCED HIGH CEILING

Tetriss 2.0 - W+RGB



How To Specify:

Ordering Example: TSC-400-507-UNV-DMX-25-BLK-BRK

Model	Wattage	CCT / CRI	Voltage	Dimming
TSC			UNV	
TSC	200 200W	308 3000K / CRI85	UNV 120-277V	DMX DMX <0.1% (XLR Sockets)
Tetriss W+RGB	400 400W	408 4000K / CRI85	HVT 347-480V	
	600 600W	507 5000K / CRI75		

Beam Angle	Finish	Mounting	Accessories
	BLK	BRK	
	BLK Black	BRK Bracket Mount	
25 25°			GSB* Glare Shield Baffe
40 40°			GSV* Glare Shield Visor
60 60°			EMP Remote Emergency Pack
			SLP Slipfetter
*Please factor in change in lumen output of -25%.			

Tetriss 2.0 - W+RGB

Delivered Lumens* (Single White Module) Delivered Lumens* (Single RGB Module)

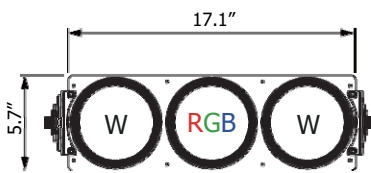
Wattage	70W
5000K	6700 lm
4000K	5900 lm
3000K	5440 lm

Wattage	50W
RGB	1930 lm

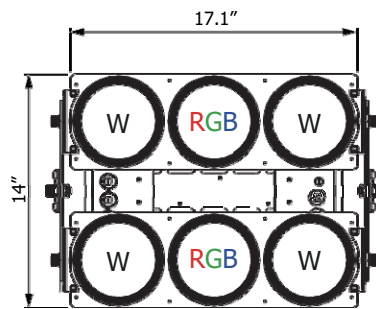
*Tolerance±8%

*Tolerance±8%

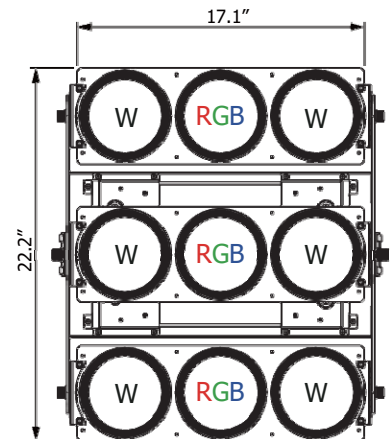
Dimen-



200W / 3 Modules

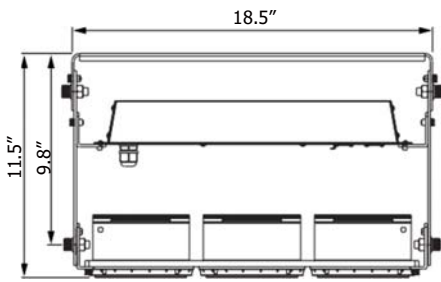


400W / 6 Modules

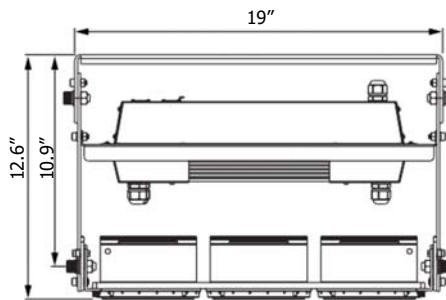


600W / 9 Modules

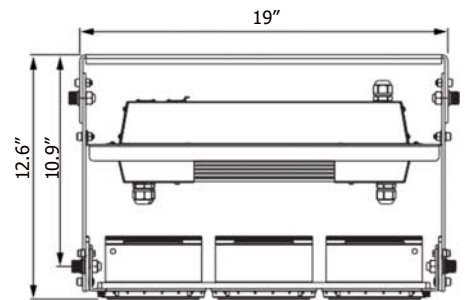
Mounting Options



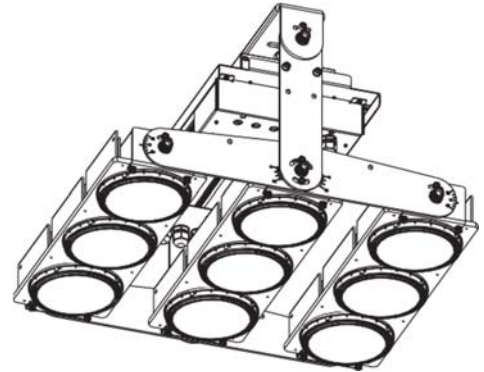
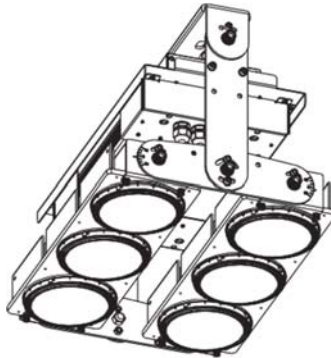
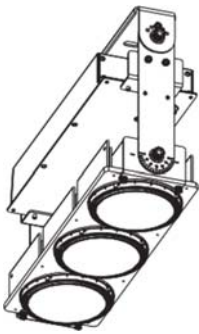
Bracket Mount / 3
Modules



Bracket Mount / 6
Modules



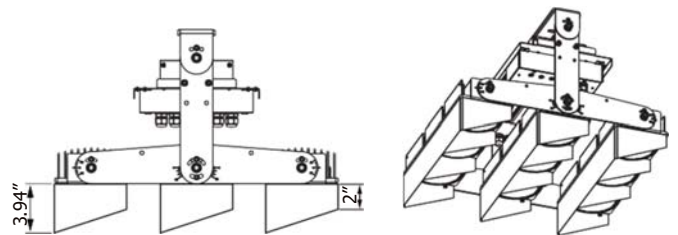
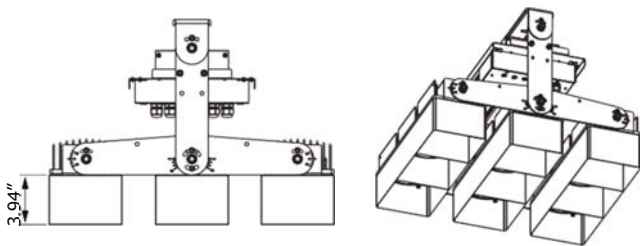
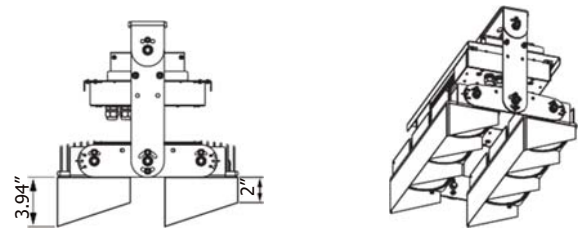
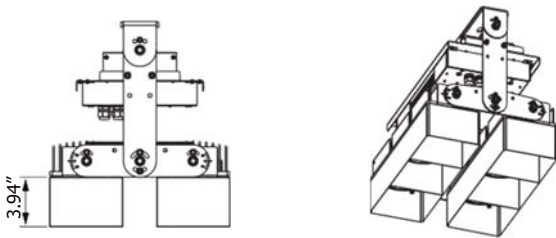
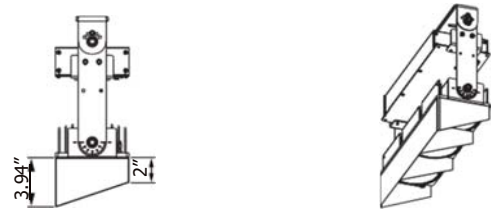
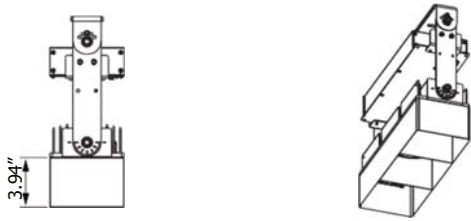
Bracket Mount / 9
Modules



Accessory

Glare Shield Baffle

Glare Shield Visor



DMX Requirements*

The Tetriss 2.0 W+RGB fixture with DMX is a FOUR CHANNELS DMX unit.

When placing order, please indicate DMX address. (The DMX address will be listed on the back of the fixture.) The LED fixture provide XLR socket to connect. (DMX cable NOT included.)

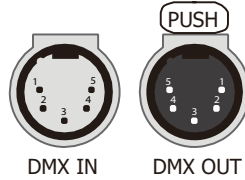
The final fixture should be terminated by the use of DMX Terminator (by others).

Fixture	DMX Address			
	Red Control (ex. X)	Green Control (ex. X+1)	Blue Control (ex. X+2)	White Control (ex. X+3)
#1	1	2	3	4
#2	5	6	7	8
#3	9	10	11	12

The LED fixture provide XLR socket to connect. (DMX cable NOT included.)

The final fixture should be terminated by the use of DMX Terminator (by others).

XLR Sockets



CONNECTION	5-PIN XLR
Common	PIN 1
Signal -	PIN 2
Signal +	PIN 3
Spare	PIN 4
Spare	PIN 5