

ADVANCED HIGH CEILING

Tetriss 2.0 - Static White



High-performing modular luminaire with lumen output 16600-60300lm for replacement of up to 1500W Metal Halide. Additional features include IP65, outdoor/natatorium rating.

Quantity	Type
Project	Note

Electrical System

- 20100 lm (200W)
- 40200 lm (400W)
- 60300 lm (600W)
- Power Input: Universal (120-277V); HVT (347-480V)
- Operating Temperature: -40°F~112°F
- Surge Protection: 10KV
- Remote Emergency Pack: Bodine BSL20MV

LED Technology

- 3000K, 4000K, 5000K
- 75 CRI, 85 CRI
- Beam Angle: 25°, 40°, 60°
- Rated Life > 60,000 hours (L70)

Advanced Dimming

(Proprietary VX Driver is incorporated to all dimming options for video flicker-free lighting)

- Standard 0-10V dims to 10%
- Superior 0-10V: dims to 1%
- DMX: high resolution dims to 0.1%
(Supports ANSI E1.20 RDM protocol)

Housing

- Material: Aluminum, Tempered Glass
- Weight: 200W / 18 lbs, 400W / 37.48 lbs, 600W / 57.3 lbs

Mounting

- Bracket Mount
(AC/Dimming cable length: Standard / 6ft)

Warranty

- 5 years limited warranty.

Listing

- ETL Damp Location Listed
- CE



Tetriss 2.0 - Static White



How To Specify:

Ordering Example: TSW-400-507-UNV-DMX-25-BLK-BRK

Model	Wattage	CCT / CRI	Voltage	Dimming
TSW			UNV	
TSW Tetriss Static White	200 200W 400 400W 600 600W	308 3000K / CRI85 408 4000K / CRI85 507 5000K / CRI85	UNV 120-277V HVT 347-480V	STV Standard 0-10V dims to 10% SPV Superior 0-10V dims to dark DMX DMX <0.1% (XLR Sockets)

Beam Angle	Finish	Mounting	Accessories
	BLK	BRK	
25 25° 40 40° 60 60°	BLK Black	BRK Bracket Mount	GSB* Glare Shield Baffle GSV* Glare Shield Visor EMP Remote Emergency Pack SLP Slipfitter
*Please factor in change in lumen output of -25%			

Delivered Lumens

Wattage CCT	200W	400W	600W
5000K	20100 lm	40200 lm	60300 lm
4000K	17700 lm	35400 lm	53010 lm
3000K	16600 lm	33200 lm	49600 lm

*Tolerance±8%

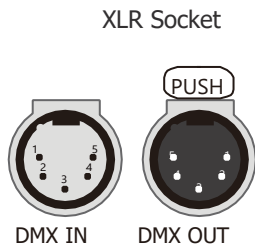
DMX Requirements*

The Tetriss 2.0 fixture with DMX is a ONE CHANNEL DMX unit.

When placing order, please indicate DMX address. (The DMX address will be listed on the back of the fixture.)

The LED fixture provide XLR socket to connect. (DMX cable NOT included.)

The final fixture should be terminated by the use of DMX Terminator (by others).



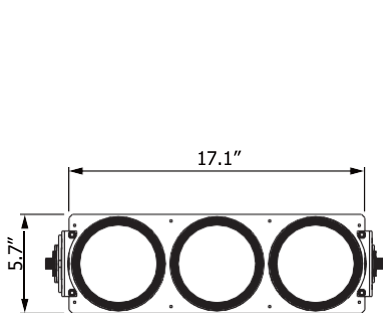
CONNECTION	5-PIN XLR
Common	PIN 1
Signal -	PIN 2
Signal +	PIN 3
Spare	PIN 4
Spare	PIN 5

Compatible DMX Cabling List

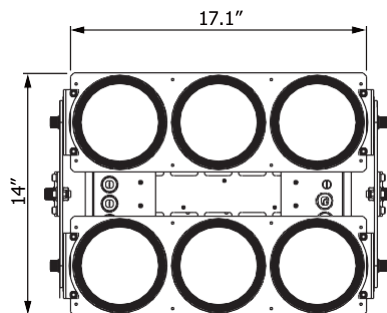
DMX uses a cable consisting of two twisted pairs plus a shield to carry data. The cable must be specifically impedance matched for the digital DMX signal, meaning that microphone cable or other non-rated cable **must not be used to carry DMX**. Network cable (Cat5, 5e or 6 cable) may be used to carry DMX in an installation; however special consideration must be given to shielding and termination. Under no circumstances should solid core cable like Cat5 be terminated into a screw down connector.

Meteor recommends the use of Belden 9729 for DMX installation. Belden 9729 is a two pair cable, which allows for a spare pair for 'out and back' type terminations if needed. Below is a list of other compatible Belden cables.

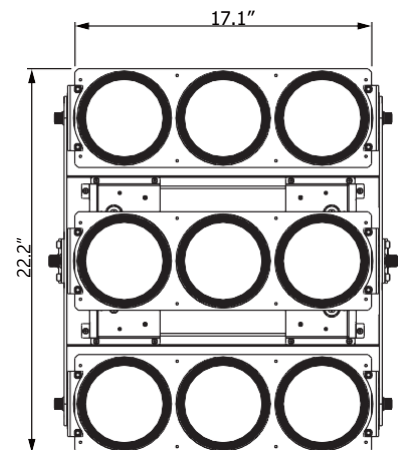
Dimensions



200W / 3 Modules

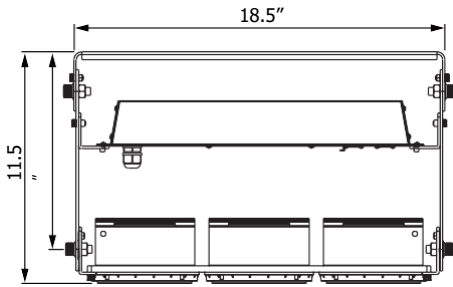


400W / 6 Modules

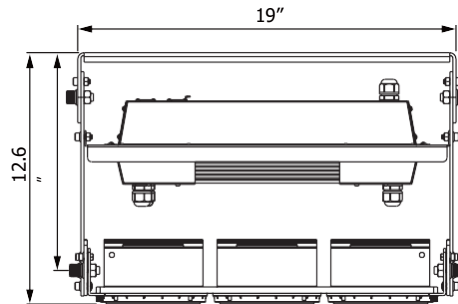


600W / 9 Modules

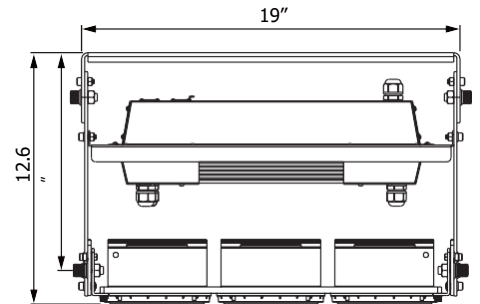
Mounting Options



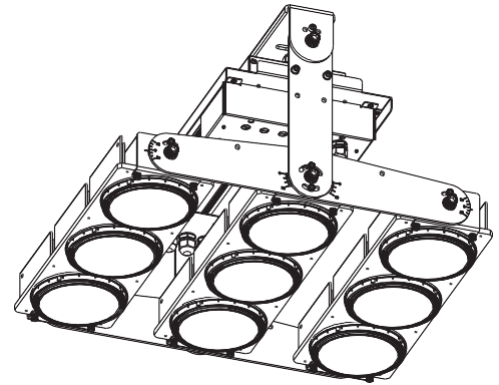
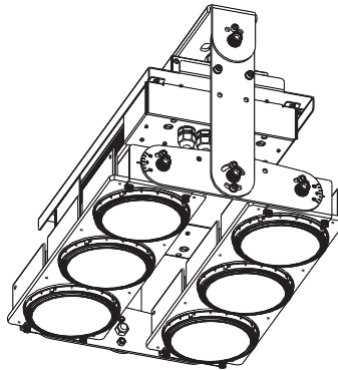
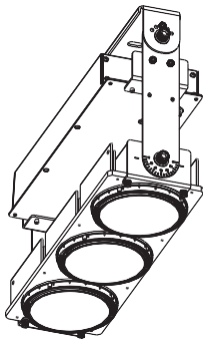
Bracket Mount / 3 Modules



Bracket Mount / 6 Modules



Bracket Mount / 9 Modules



Accessories

Glare Shield Baffle

Glare Shield Visor

