

ADVANCED HIGH CEILING

# Tetriss 2.0 - Outdoor/Natatorium



High-performing modular luminaire with lumen output 16600-60300lm for replacement of up to 1500W Metal Halide.

**- Outdoor/Natatorium Rating**

Special coating, sealant, and wiring is applied for long term operation in harsh environments.

Quantity		Type	
Project		Note	

**Electrical System**

- 20100 lm (200W)
- 40200 lm (400W)
- 60300 lm (600W)
- Power Input: Universal (120-277V); HVT (347-480V)
- Operating Temperature: -40°F~112°F
- Surge Protection: 10KV
- Remote Emergency Pack: Bodine BSL20MV

**LED Technology**

- 3000K, 4000K, 5000K
- 75 CRI, 85 CRI
- Beam Angle: 25°, 40°, 60°
- Rated Life > 60,000 hours (L70)

**Advanced Dimming**

(Proprietary VX Driver is incorporated to all dimming options for video flicker-free lighting)

- Standard 0-10V dims to 10%
- Superior 0-10V: dims to 1%
- DMX: high resolution dims to 0.1% (Supports ANSI E1.20 RDM protocol)

**Housing**

- Material: Aluminum, Tempered Glass
- Weight: 200W / 18 lbs, 400W / 37.48 lbs, 600W / 57.3 lbs

**Mounting**

- Bracket Mount (AC/Dimming cable length: Standard / 6ft)

**EPA**

- TSW-200: 1.21 ft<sup>2</sup> / TSW-400: 2.12 ft<sup>2</sup> / 600: 2.69 ft<sup>2</sup>

**Warranty**

- 5 years limited warranty.

**Listing**

- ETL Wet Location Listed
- IP65
- CE



# Tetriss 2.0 - Outdoor/Natatorium



## How To Specify:

**Ordering Example: TSW-400-507-UNV-STV-25-BLK-BRK-OUT**

Model	Wattage	CCT / CRI	Voltage	Dimming
<b>TSW</b>			UNV	
<b>TSW</b> Tetriss Solid White	<b>200</b> 200W <b>400</b> 400W <b>600</b> 600W	<b>308</b> 3000K / CRI85 <b>408</b> 4000K / CRI85 <b>507</b> 5000K / CRI75	<b>UNV</b> 120-277V <b>HVT</b> 347-480V	<b>STV</b> Standard 0-10V <10%

Beam Angle	Finish	Mounting	Accessories	Rating
	<b>BLK</b>	<b>BRK</b>		
<b>25</b> 25° <b>40</b> 40° <b>60</b> 60°	<b>BLK</b> Black	<b>BRK</b> Bracket Mount	<b>GSB*</b> Glare Shield Baffle <b>GSV*</b> Glare Shield Visor	<b>OUT<sup>1</sup></b> Outdoor Rating <b>NAT<sup>2</sup></b> Natatorium Rating
			*Please factor in change in lumen output of -25%	<sup>1</sup> Outdoor rating: Coating and wiring will be changed to high UV resistant and corrosion resistant materials for long term operation in outdoor environments.  <sup>2</sup> Natatorium rating: Coating and sealant will be changed to high corrosion resistant materials to prevent damage from long term exposure to chlorine vapors.

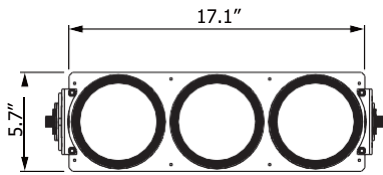
# Tetriss 2.0 - Outdoor/Natatorium

## Delivered Lumens

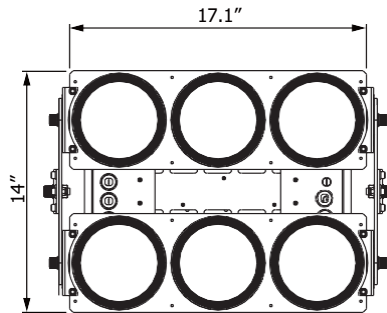
Wattage CCT	200W	400W	600W
5000K	20100 lm	40200 lm	60300 lm
4000K	17700 lm	35400 lm	53010 lm
3000K	16600 lm	33200 lm	49600 lm

\*Tolerance±8%

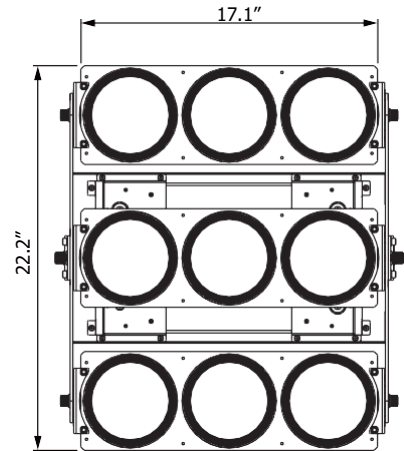
## Dimensions



200W / 3 Modules

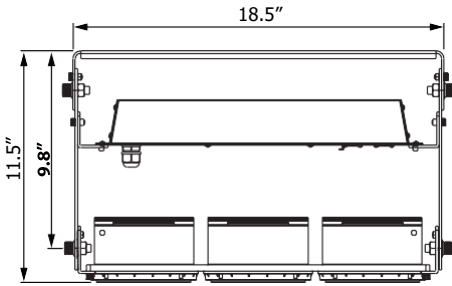


400W / 6 Modules

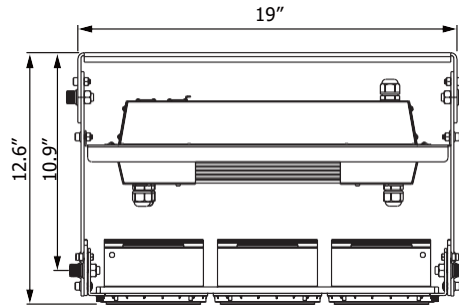


600W / 9 Modules

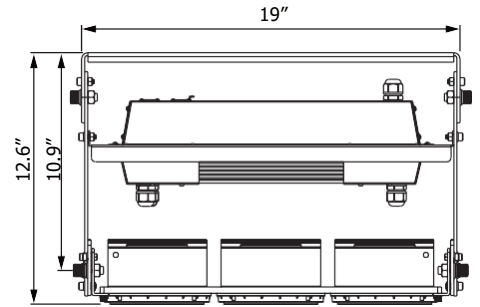
## Mounting Options



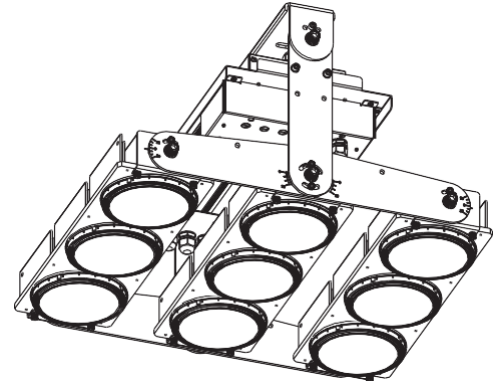
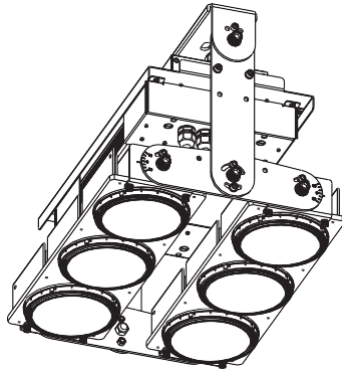
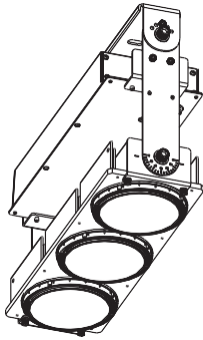
Bracket Mount / 3  
Modules



Bracket Mount / 6  
Modules



Bracket Mount / 9  
Modules



## Accessories

Glare Shield Baffle

Glare Shield Visor

