

Signum 8 - Standard



8-inch aperture high lumen with lumen output 3230 – 4220lm.



Quantity	Type
Project	Note

Electrical System

- 4220lm (45W)
- Power Input: Universal (120-277V)
- Operating Temperature: -13°F~112°F
- Surge Protection: 4KV
- Power Factor Greater than 0.9
- Remote Emergency Pack: Bodine BSL20LV

LED Technology

- 2700K, 3000K, 3500K, 4000K, 5000K
- 85 CRI
- Beam Angle: 25°, 40°, 60°, 100°
- Rated Life > 60,000 Hours (L70)

Advanced Dimming

(Proprietary VX Driver is incorporated to all dimming options for video flicker-free lighting)

- Standard 0-10V dims to 10%
- DMX: high resolution dims to 0.1% (Supports ANSI E1.20 RDM protocol)
- Superior 0-10V: dims to 1%
- LTE: Hi-Lume 1% 2-wire LED Driver (120V forward phase only)
- LDE1: Hi-Lume 1% EcoSystem LED Driver with Soft-on, Fade-to-Black (UNV only)

Housing

- Diameter: 8.26" (210mm)
- Height: 9.25" (235mm)
- Material: Steel, Aluminum
- Weight: 11.02 lbs

Mounting

- Surface Mount
- Stem 2ft, 4ft; 45° Swivel Canopy Included
- Adjustable Aircraft Cable 10ft
- Wall Mount
- Yoke Mount

Warranty

- 5-year limited warranty

Listing

- ETL Dry Location Listed
- CE



Signum 8 - Standard



How to Specify:

Ordering Example: SS8-45-358-UNV-SPV-40-BLK-AD10

4-5 weeks lead time on over 75% of specifications.

Model		Wattage		CCT / CRI		Voltage		Dimming	
SS8						UNV			
SS8		45	45W	278	2700K / CRI85	UNV	120-277V	STV	STV Standard 0-10V dims to 10%
Signum 8				308	3000K / CRI85			SPV	Superior 0-10V dims to 1%
				358	3500K / CRI85			DMX	DMX dims to 0.1% (XLR Sockets)
				408	4000K / CRI85			DMX(RJ45)	DMX dims to 0.1% (RJ45 Sockets)
				508	5000K / CRI85			LTE	Hi-Lume 1% 2-wire LED Driver (120V forward phase only)
								LDE1	Hi-Lume 1% EcoSystem LED Driver with Soft-on, Fade-to-Black (UNV only)

Beam Angle		Finish		Mounting		Accessories	
25	25°	BLK	Black	SUM	Surface Mount	SPD¹	Surge Protector
40	40°	WHT	White	ST2	Stem 2ft	EMP	Remote Emergency Pack
60	60°			ST4	Stem 4ft		
WD	100°			AD10	Adjustable Aircraft Cable 10ft		
				WLM	Wall Mount		
				YKM	Yoke Mount		

¹ Surge protector for up to 10KV. Applicable for unstable mains or facilities using high power machineries

Signum 8 - Standard



Delivered Lumens*

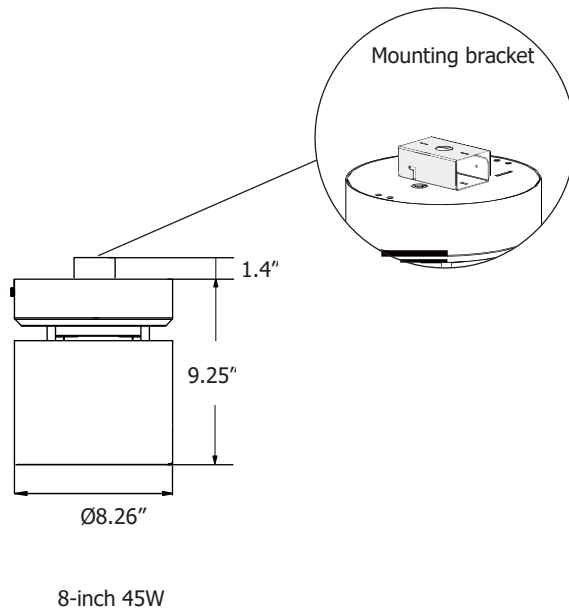
Wattage		SS8-45
CCT	Beam Angle: 25°	
5000K	4220 lm	
4000K	3770 lm	
3500K	3490 lm	
3000K	3350 lm	
2700K	3230 lm	

*Tolerance±8%

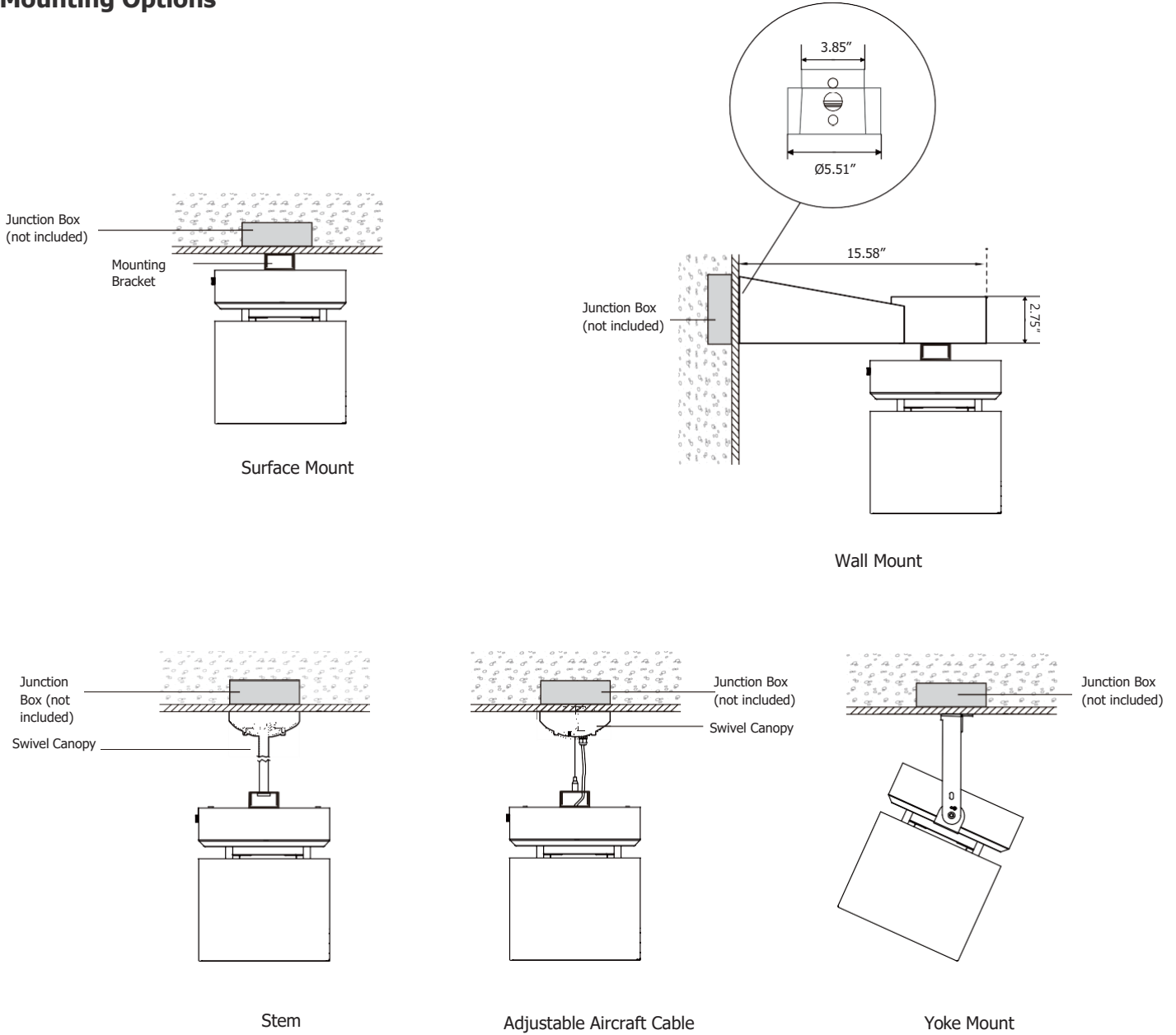
Current Consumption

Wattage	Volt	
	120V	277V
45W	0.47A	0.20A

Dimensions



Mounting Options



Signum 8 - Standard



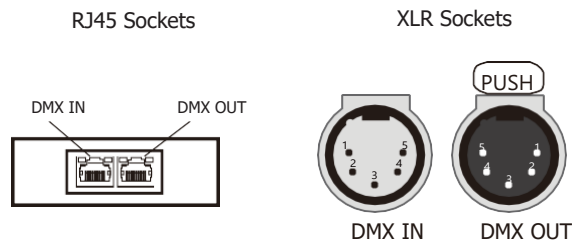
DMX Requirements*

The Signum 8 LED fixture with DMX is a ONE CHANNEL DMX unit.

When placing order, please indicate DMX address. (The DMX address will be listed on the back of the fixture.)

The LED fixture provide RJ45 Socket or XLR socket to connect. (DMX cable NOT included.)

The final fixture should be terminated by the use of DMX Terminator (by others).

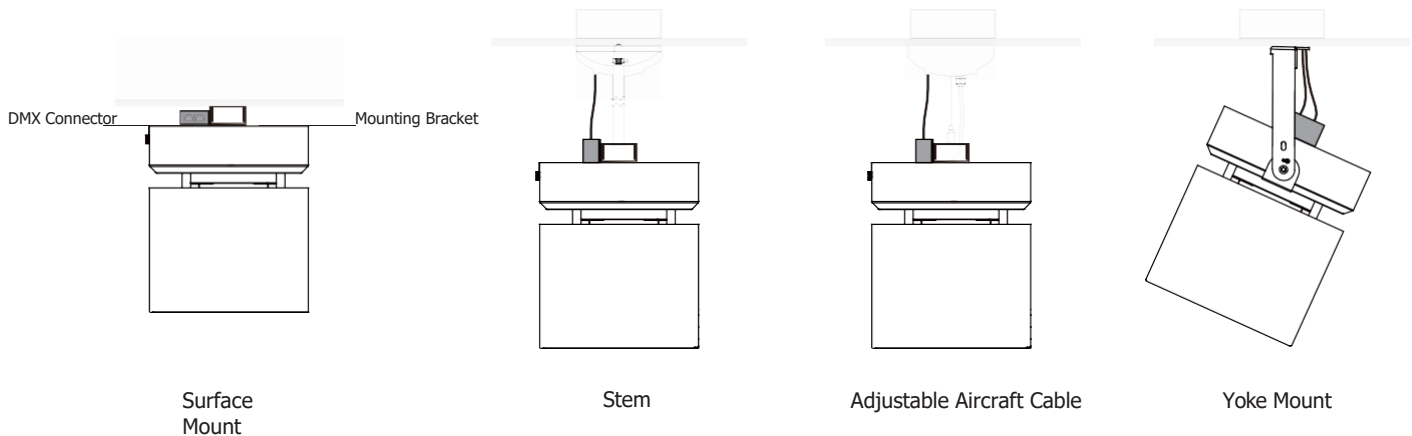


CONNECTION	RJ45 (CAT5e)	5-PIN XLR
Common	WHITE/BROWN(PIN7) & BROWN (PIN 8)	PIN 1
Signal -	ORANGE (PIN 2)	PIN 2
Signal +	WHITE/ORANGE (PIN 1)	PIN 3
Spare	-	PIN 4
Spare	-	PIN 5

Compatible DMX Cabling List

DMX uses a cable consisting of two twisted pairs plus a shield to carry data. The cable must be specifically impedance matched for the digital DMX signal, meaning that microphone cable or other non-rated cable **must not be used to carry DMX**. Network cable (Cat5, 5e or 6 cable) may be used to carry DMX in an installation; however special consideration must be given to shielding and termination. Under no circumstances should solid core cable like Cat5 be terminated into a screw down connector.

Meteor recommends the use of Belden 9729 for DMX installation. Belden 9729 is a two pair cable, which allows for a spare pair for 'out and back' type terminations if needed. Below is a list of other compatible Belden cables.



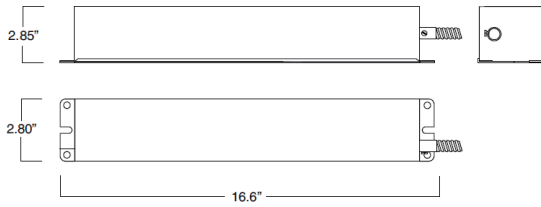
Compatible LTE Dimmer List

LUTRON PART NO.

RRD-6NA-	RRT-G5NEW-	RRT-GH	HQRD-10ND-	HQRT-GH	HQRD-HN	PD-10NXD-
RRD-6ND	RRT-G25LW-	HQRD-6NA-	MRF2-6ND-120-	HQRT-G25LW-	GT-250M-	PD-5NE-
RRD-10ND-	RRD-HN	HQRD-6ND-	MRF2S-6ND-120-	HQRT-G5NEW-	GTJ-250M-	

Signum 8 - Standard

Remote Emergency Pack



Emergency Pack Lumen Output Table

CCT	2700K	3000K	4000K	5000K
Lumen	1640 lm	1760 lm	1890 lm	1950 lm

Mounting with standard ceiling recessed Junction BOX

