

ADVANCED HIGH CEILING

Signum 16 - Standard



16-inch aperture high lumen signum with lumen output 9890 - 17130lm.



Quantity	Type
Project	Note

Electrical System

- 11870lm (115W)
- 14505lm (145W)
- 17130lm (195W)
- Power Input: Universal (120-277V)
- Operating Temperature: -40°F~113°F
- Surge Protection: 4KV
- Remote Emergency Pack: Bodine BSL20LV

LED Technology

- 3000K, 4000K, 5000K
- 75 CRI, 85 CRI, 93 CRI
- Beam Angle: 25°, 40°, 60°, 100° (with diffuser)
- Rated Life > 60,000 Hours (L70)

Advanced Dimming

(Proprietary VX Driver is incorporated to all dimming options for video flicker-free lighting)

- **Standard: Non-dimming**
- **DMX:** high resolution dims to 0.1% (Supports ANSI E1.20 RDM protocol)
- **Superior 0-10V:** dims to 1%

Housing

- Diameter: 15.9" (404mm)
- Height: 13.6" (345mm)
- Material: Steel, Aluminum
- Weight: 115W / 27.5lbs, 145W / 28.6lbs, 195W / 30.3lbs

Mounting

- Bracket
- Stem 2ft or 4ft; 37° Swivel Canopy Included
- Adjustable Aircraft Cable 10ft

Warranty

- 5 year limited warranty

Listing

- ETL Listed
- DLC Listed
- CE
- IK10



Signum 16 - Standard**How To Specify:****Ordering Example: SS16-195-408-UNV-DMX-25-BLK-BRK-WG****4-5 weeks lead time on over 75% of specifications.**

Model	Wattage	CCT / CRI	Voltage	Dimming
SS16			UNV	
SS16	115 115W	308 3000K / CRI85	UNV 120-277V	NOD Non-Dimming
Signum 16	145 145W	408 4000K / CRI85		SPV Superior 0-10V dims to 1%
	195 195W	507 5000K / CRI75		DMX DMX dims to 0.1% (XLR Sockets)
		309 3000K / CRI93		

Beam Angle	Finish	Mounting	Accessories
25 25°	BLK Black	BRK Surface Mount	SPD ¹ Surge Protector
40 40°	WHT White	ST2 Stem 2ft	EMP Remote Emergency Pack
60 60°		ST4 Stem 4ft	DF ² Diffuser
WD WIDE		AD10 Adjustable Aircraft Cable 10ft	WG ³ Wire Guard (IK10 Rating)
*Please factor in change in lumen output with diffuser (-20% with WD; -12% with other degrees)			¹ Surge protector for up to 10KV. Applicable for unstable mains or facilities using high power machineries. ² Please factor in change in lumen output with diffuser (-20% with WD; -12% with other degrees) ³ Please factor in change in lumen output of -14%

DesignLights Consortium™ Qualified Luminaires:

DLC QPL Model Number : SS16-115-408, SS16-115-507, SS16-145-507, SS16-195-507

Not all product variations listed on this page are DLC qualified.

To ensure that a specific model is qualified, visit www.designlights.org/search.

Signum 16 - Standard

Delivered Lumens*

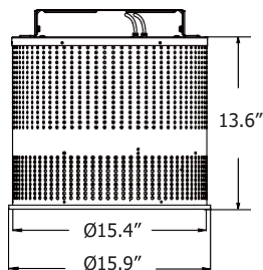
Wattage	115W	145W	195W	
CCT	Beam Angle: 25°			
	5000K	11870 lm	14505 lm	17130 lm
	4000K	10205 lm	12470 lm	14730 lm
	3000K	9890 lm	12090 lm	14285 lm

Current Consumption

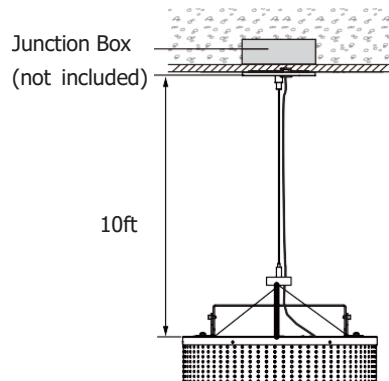
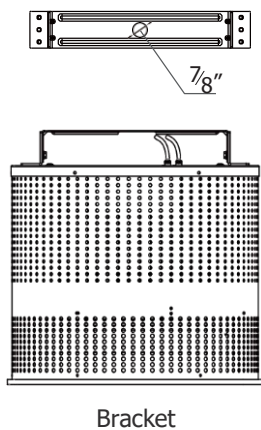
Wattage \ Volt	120V	277V
115W	1.26A	0.54A
145W	1.57A	0.68A
195W	1.89A	0.82A

*Tolerance±8%

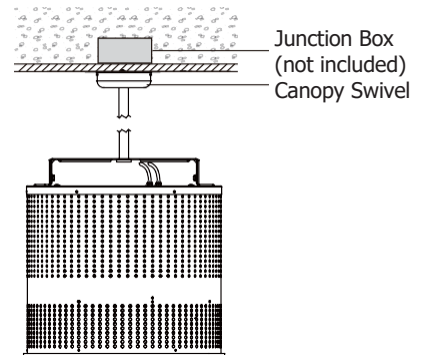
Dimensions



Mounting Options



Adjustable Aircraft Cable



Stem

Signum 16 - Standard

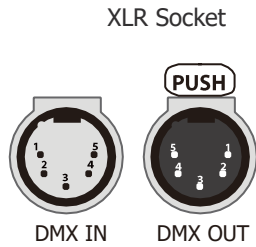
DMX Requirements*

The Signum 16 fixture with DMX is a ONE CHANNEL DMX unit.

When placing order, please indicate DMX address. (The DMX address will be listed on the back of the fixture.)

The LED fixture provide XLR socket to connect. (DMX cable NOT included.)

The final fixture should be terminated by the use of DMX Terminator (by others).



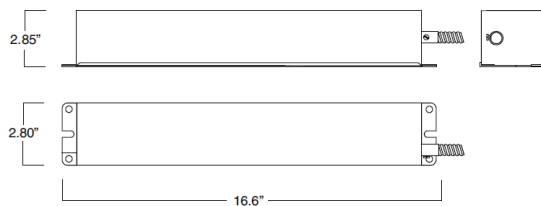
CONNECTION	5-PIN XLR
Common	PIN 1
Signal -	PIN 2
Signal +	PIN 3
Spare	PIN 4
Spare	PIN 5

Compatible DMX Cabling List

DMX uses a cable consisting of two twisted pairs plus a shield to carry data. The cable must be specifically impedance matched for the digital DMX signal, meaning that microphone cable or other non-rated cable **must not be used to carry DMX**. Network cable (Cat5, 5e or 6 cable) may be used to carry DMX in an installation; however special consideration must be given to shielding and termination. Under no circumstances should solid core cable like Cat5 be terminated into a screw down connector.

Meteor recommends the use of Belden 9729 for DMX installation. Belden 9729 is a two pair cable, which allows for a spare pair for 'out and back' type terminations if needed. Below is a list of other compatible Belden cables.

Remote Emergency Pack



Emergency Pack Lumen Output Table

CCT	2700K	3000K	4000K	5000K
Lumen	1640 lm	1760 lm	1890 lm	1950 lm

Mounting with standard ceiling recessed Junction BOX

