

Signum 10 - Standard



10-inch aperture high lumen 10 signum with lumen output 6220 – 9800lm.



Quantity		Type	
Project		Note	

Electrical System

- 8590lm (85W)
9800lm (110W)
- Power Input: Universal (120-277V)
- Operating Temperature: -13°F~112°F
- Surge Protection: 2.5KV
- Power Factor Greater than 0.9
- Remote Emergency Pack: Bodine BSL20LV

LED Technology

- 2700K, 3000K, 3500K, 4000K, 5000K
- 85 CRI
- Beam Angle: 25°, 40°, 60°, 100°
- Rated Life > 60,000 Hours (L70)

Advanced Dimming

(Proprietary VX Driver is incorporated to all dimming options for video flicker-free lighting)

- **Standard 0-10V** dims to 10%
- **DMX:** high resolution dims to 0.1%
(Supports ANSI E1.20 RDM protocol)
- **Superior 0-10V:** dims to 1%

Housing

- Diameter: 9.84" (250mm)
- Height: 10.83" (275mm)
- Material: Steel, Aluminum
- Weight: 85W / 16.53 lbs, 110W / 17.19 lbs

Mounting

- Surface Mount
- Stem 2ft, 4ft; 37° Swivel Canopy Included
- Adjustable Aircraft Cable 10ft
- Wall Mount
- Yoke Mount

Warranty

- 5-year limited warranty

Listing

- ETL Dry Location Listed
- DLC Listed
- CE

85W only:

- **LTE: Hi-Lume 1% 2-wire LED Driver (120V forward phase only)**
- **LDE1: Hi-Lume 1% EcoSystem LED Driver with Soft-on, Fade-to-Black (UNV only)**



Signum 10 - Standard**How to Specify:****Ordering Example: SS10-110-358-UNV-SPV-40-BLK-AD10****4-5 weeks lead time on over 75% of specifications.**

Model	Wattage	CCT / CRI	Voltage	Dimming
SS10			UNV	
SS10	85 85W	278 2700K / CRI85	UNV 120-277V	STV STV Standard 0-10V dims to 10%
Signum 10	110 110W	308 3000K / CRI85		SPV Superior 0-10V dims to 1%
		358 3500K / CRI85		DMX DMX dims to 0.1% (XLR Sockets)
		408 4000K / CRI85		DMX(RJ45) Hi-Lume 1% 2-wire LED Driver
		508 5000K / CRI85		LTE¹ (120V forward phase only)
				Hi-Lume 1% EcoSystem LED Driver with
				LDE¹ Soft-on, Fade-to-Black (UNV only)
				¹ Available for 85W only.

Beam Angle	Finish	Mounting	Accessories
25 25°	BLK Black	SUM Surface Mount	SPD¹ Surge Protector
40 40°	WHT White	ST2 Stem 2ft	EMP Remote Emergency Pack
60 60°		ST4 Stem 4ft	CB² Cross Baffle
WD 100°		AD10 Adjustable Aircraft Cable 10ft	
		WLM Wall Mount	
		YKM Yoke Mount	
			¹ Surge protector for up to 10KV. Applicable for unstable mains or facilities using high power machineries.

DesignLights Consortium™ Qualified Luminaires:

DLC QPL Model Number: SS10-85-358-UNV

Not all product variations listed on this page are DLC qualified.

To ensure that a specific model is qualified, visit www.designlights.org/search.

Delivered Lumens*

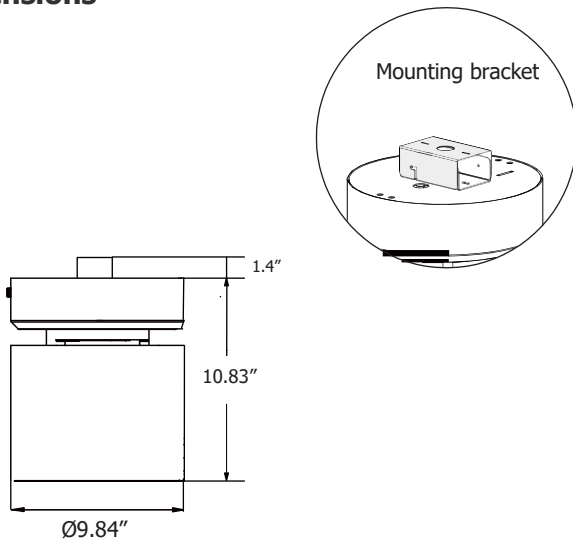
CCT	Wattage	SS10-85	SS10-110
		Beam Angle: 40°	Beam Angle: 60°
5000K		8590 lm	9800 lm
4000K		7600 lm	8890 lm
3500K		7000 lm	8440 lm
3000K		6730 lm	7760 lm
2700K		6220 lm	7430 lm

*Tolerance±8%

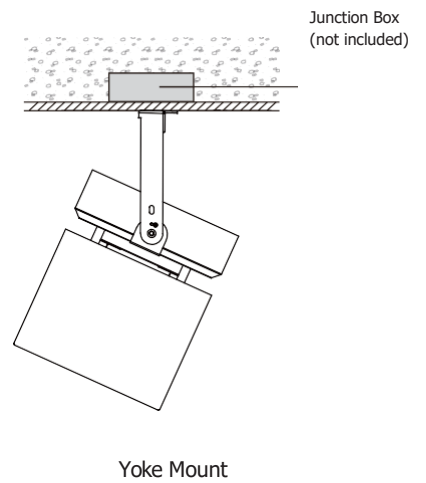
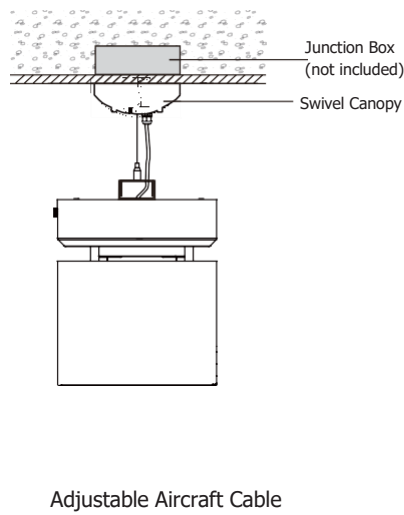
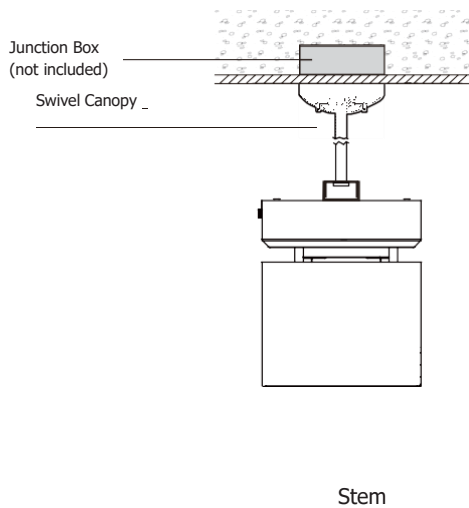
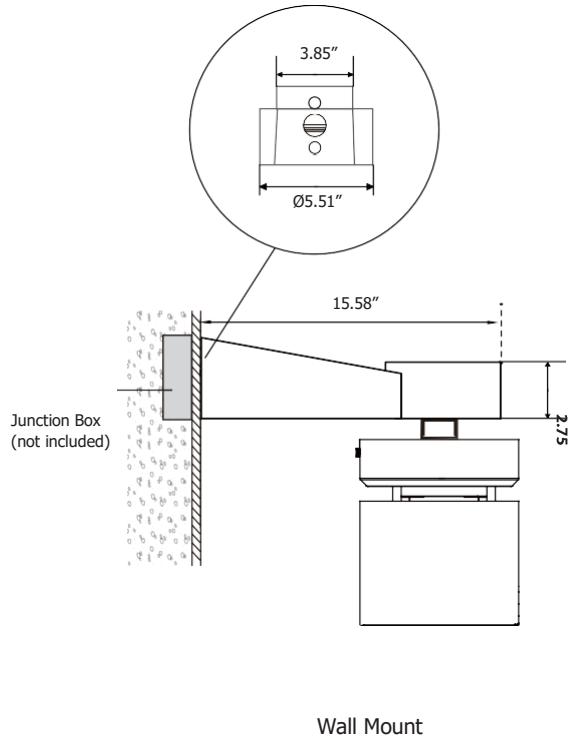
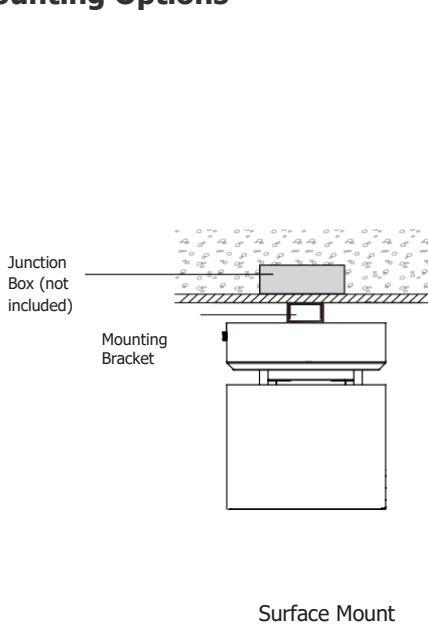
Current Consumption

Wattage	120V	277V
85W	0.87A	0.38A
110W	1.11A	0.48A

Dimensions



Mounting Options



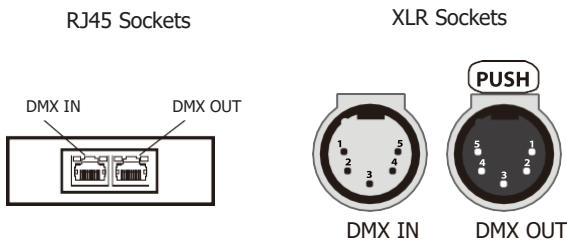
DMX Requirements*

The Signum 10 LED fixture with DMX is a ONE CHANNEL DMX unit.

When placing order, please indicate DMX address. (The DMX address will be listed on the back of the fixture.)

The LED fixture provide RJ45 Socket or XLR socket to connect. (DMX cable NOT included.)

The final fixture should be terminated by the use of DMX Terminator (by others).

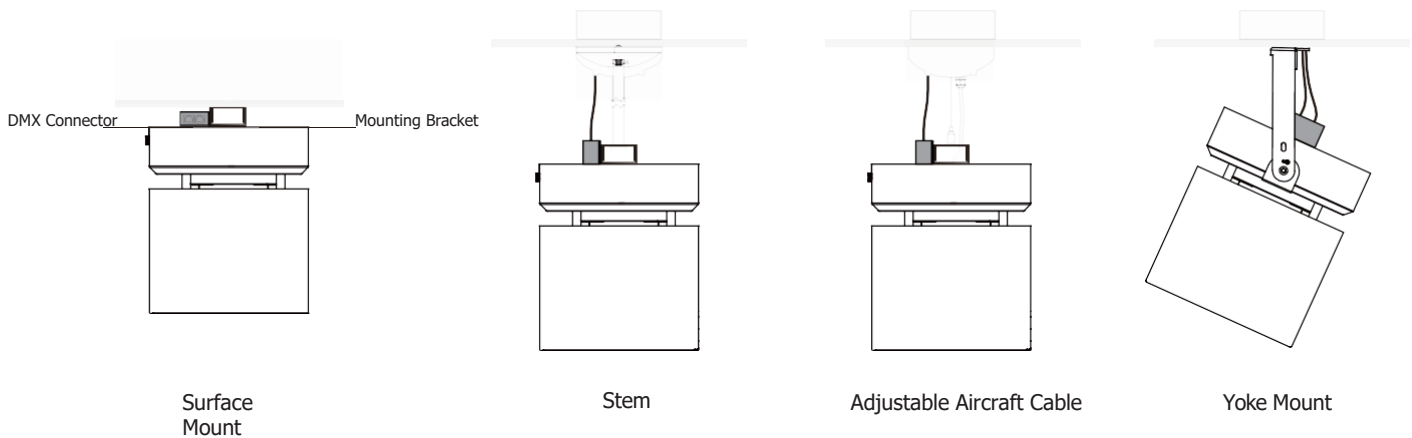


CONNECTION	RJ45 (CAT5e)	5-PIN XLR
Common	WHITE/BROWN(PIN7) & BROWN (PIN 8)	PIN 1
Signal -	ORANGE (PIN 2)	PIN 2
Signal +	WHITE/ORANGE (PIN 1)	PIN 3
Spare	-	PIN 4
Spare	-	PIN 5

Compatible DMX Cabling List

DMX uses a cable consisting of two twisted pairs plus a shield to carry data. The cable must be specifically impedance matched for the digital DMX signal, meaning that microphone cable or other non-rated cable **must not be used to carry DMX**. Network cable (Cat5, 5e or 6 cable) may be used to carry DMX in an installation; however special consideration must be given to shielding and termination. Under no circumstances should solid core cable like Cat5 be terminated into a screw down connector.

Meteor recommends the use of Belden 9729 for DMX installation. Belden 9729 is a two pair cable, which allows for a spare pair for 'out and back' type terminations if needed. Below is a list of other compatible Belden cables.

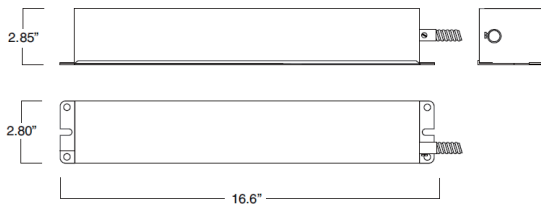


Compatible LTE Dimmer List

LUTRON PART NO.

RRD-6NA-	RRT-G5NEW-	RRT-GH	HQRD-10ND-	HQRT-GH	HQRD-HN	PD-10NXD-
RRD-6ND	RRT-G25LW-	HQRD-6NA-	MRF2-6ND-120-	HQRT-G25LW-	GT-250M-	PD-5NE-
RRD-10ND-	RRD-HN	HQRD-6ND-	MRF2S-6ND-120-	HQRT-G5NEW-	GTJ-250M-	

Remote Emergency Pack

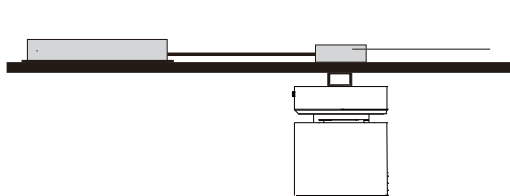


Emergency Pack Lumen Output Table

CCT	2700K	3000K	4000K	5000K
Lumen	1640 lm	1760 lm	1890 lm	1950 lm

Mounting with standard ceiling recessed Junction BOX

Emergency Battery



Junction box (Not included)