

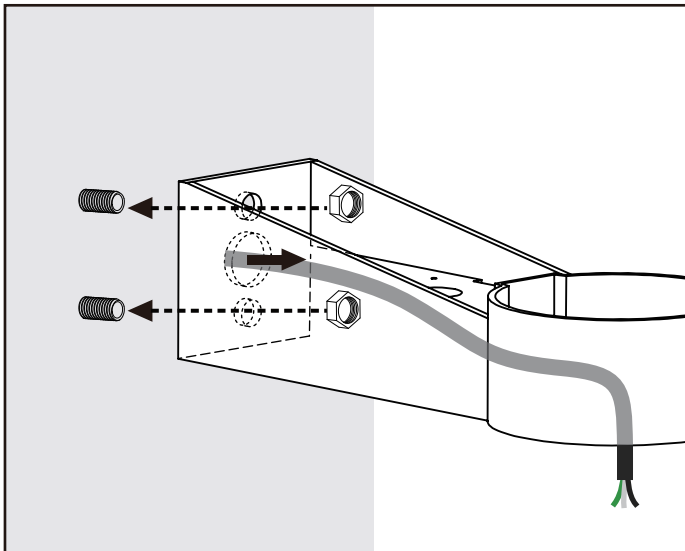
# ADVANCED HIGH CEILING Signum 10 - Wall Mount



## IMPORTANT SAFETY INFORMATION. READ AND FOLLOW ALL SAFETY INSTRUCTIONS

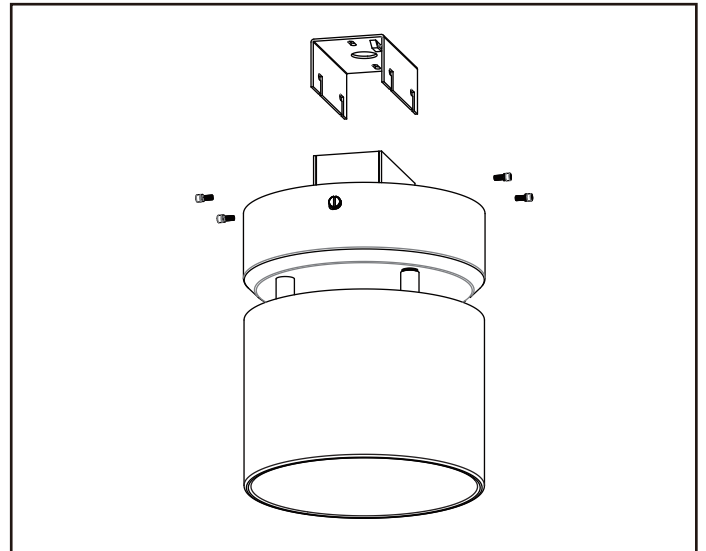
IMPORTANT SAFETY INFORMATION. READ AND FOLLOW ALL SAFETY INSTRUCTIONS. Before wiring to power supply and during servicing or relamping, turn off power at fuse or circuit breaker. All servicing or relamping must be performed by qualified service personnel. Product must be grounded to avoid potential electric shock or other potential hazard. Product must be at locations and at heights and in a manner consistent with its intended use, and in compliance with Electrical Code and local codes.

**SAVE THESE INSTRUCTIONS FOR FUTURE REFERENCE.**



### Step 1

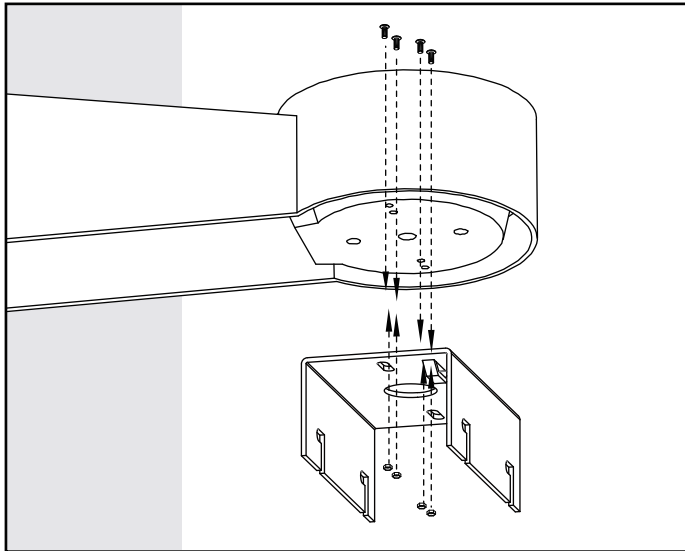
Secure wall mount to surface with mounting hardware (by others) that is sufficient to support weight of fixture. Route AC cable through center hole on wall mount.



### Step 2

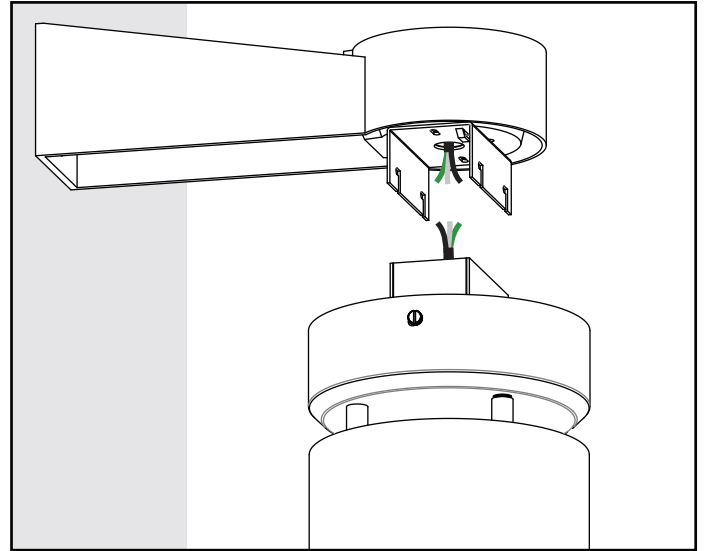
Loosen four Phillips screws on the side of the wiring box to remove the mounting bracket.

# ADVANCED HIGH CEILING Signum 10 - Wall Mount



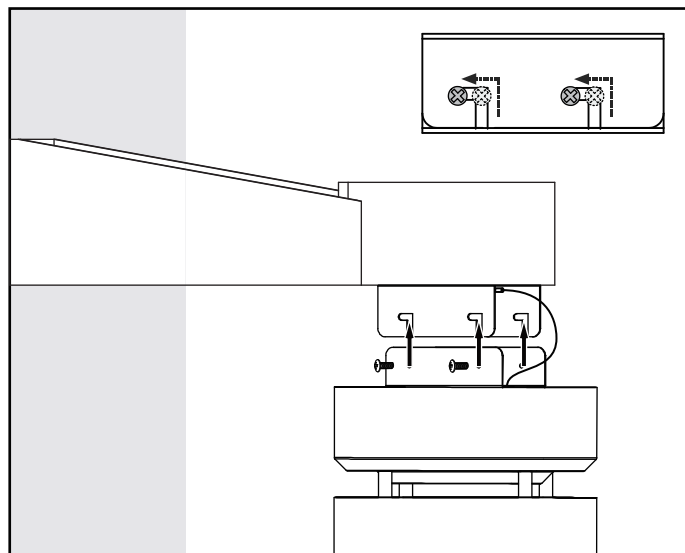
## Step 3

Secure the mounting bracket to the wall mount with the provided screws.



## Step 4

Connect electrical wires, refer to the wiring diagram for more information.



## Step 5

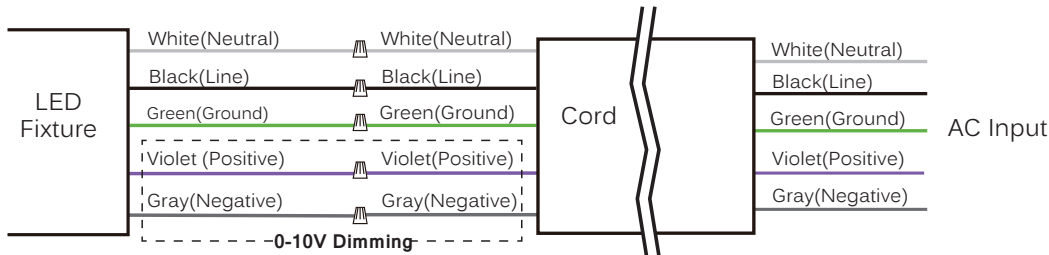
Screw 4 phillips screws to secure the wiring box on the mounting bracket. Lock and latch onto the mounting bracket, and tighten in place once secured.

# ADVANCED HIGH CEILING Signum 10 - Wall Mount

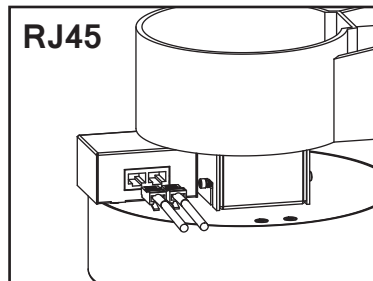
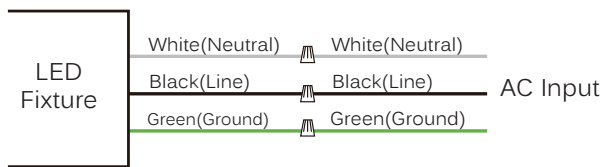


## Wiring Diagram

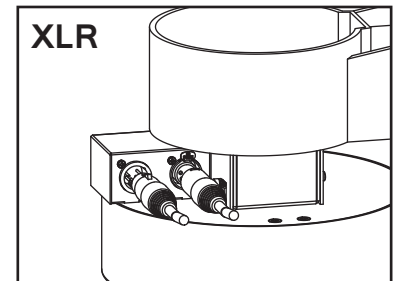
0-10V/Superior0-10V



## DMX



Connect DMX by using a standard shielded CAT5/6 cable.

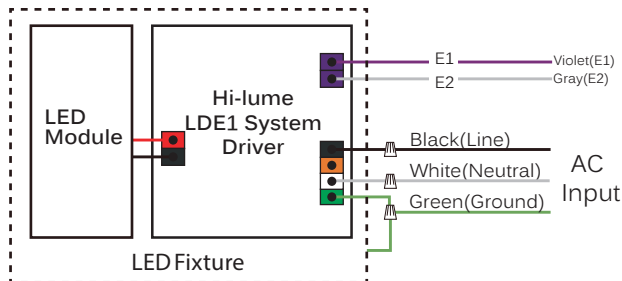


Connect DMX by using a standard DMX512 XLR cable with 5 pin in/out connector (by others).

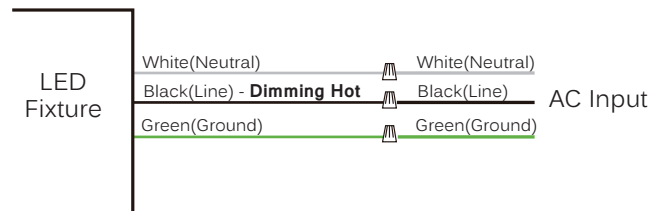
**\*No more than 24 units should be placed on a single DMX daisy chain.**

**\*Last fixture needs to be terminated with DMX Terminator (by others).**

## LDE1



## LTE



# ADVANCED HIGH CEILING Signum 10 - Wall Mount



---

## Application note : Wiring for DMX/RDM lighting systems

DMX/RDM is a robust and reliable system for lighting control. However, if not implemented correctly, problems can arise such as random flashing of lights, erratic operation and delays in responding to commands. This document explains the best practices in DMX wiring.

### Important things to consider are:

1. DMX is a digital three-wire system. Use all three!
2. DMX is based on the EIA-485/RS-485 standard.
3. Always use cable specifically designed for DMX / RS-485. These cables have an impedance of  $120\Omega$  and a low capacitance. For instance : Belden 9841 or 3105a.
4. DMX must be terminated with a  $120\Omega$  resistor to prevent reflections.
5. A daisy chain topology should be used.
6. After **32** unit loads a repeater/booster should be used.  
(Important : For tunable white fixtures, After "**15**" unit loads a repeater/booster should be used.)
7. Keep cabling below 200 meters between the controller and the last driver.
8. It is generally considered good practice to provide separate DMX in and DMX out / DMX thru connections to your fixture to aid in installation. This can be in the form of pigtailed, RJ-45 connectors or 5-pin XLR connectors.
9. Use twisted pair cables with an impedance of  $120\Omega$  and a low capacitance.
10. UTP Cat5 or Cat6 network cable can also be used but have a slightly lower impedance of  $100\Omega$ .
11. If shielded cable is used, only connect shield to ground on one side (typically, the controller should have its shield terminal connected to ground).
12. Not following the above recommendations may seem to work at first, but can cause problems. Sometimes after weeks of seemingly normal operation.