

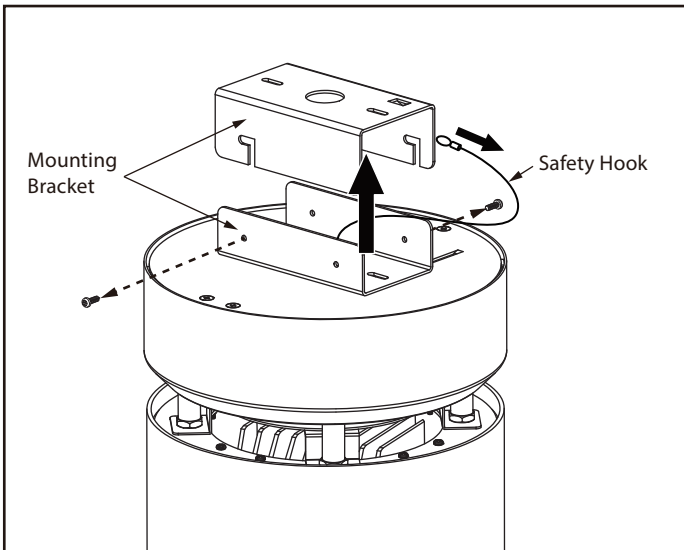
# ADVANCED HIGH CEILING Signum 8 - Surface Mount



## IMPORTANT SAFETY INFORMATION. READ AND FOLLOW ALL SAFETY INSTRUCTIONS

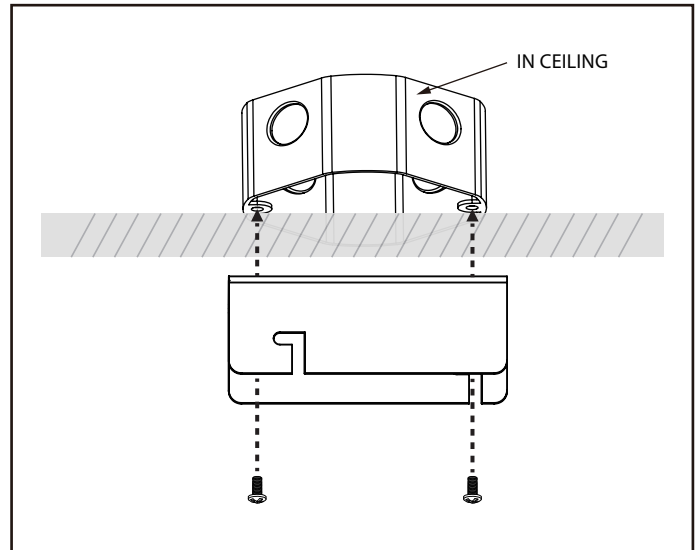
IMPORTANT SAFETY INFORMATION. READ AND FOLLOW ALL SAFETY INSTRUCTIONS. Before wiring to power supply and during servicing or relamping, turn off power at fuse or circuit breaker. All servicing or relamping must be performed by qualified service personnel. Product must be grounded to avoid potential electric shock or other potential hazard. Product must be at locations and at heights and in a manner consistent with its intended use, and in compliance with Electrical Code and local codes.

SAVE THESE INSTRUCTIONS FOR FUTURE REFERENCE.



### Step 1

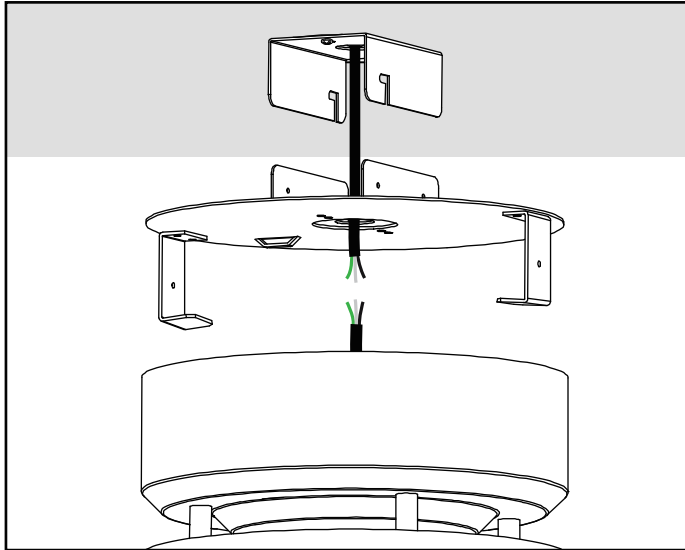
Loosen the screws that secure the mounting brackets as well as the safety hook. Then detach the upper mounting bracket.



### Step 2

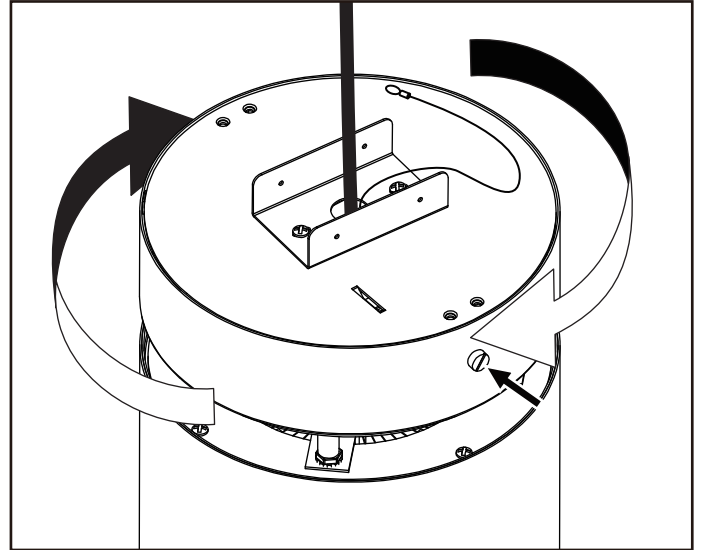
Secure the upper mounting bracket to junction box (by others) with screws.

# ADVANCED HIGH CEILING Signum 8 - Surface Mount



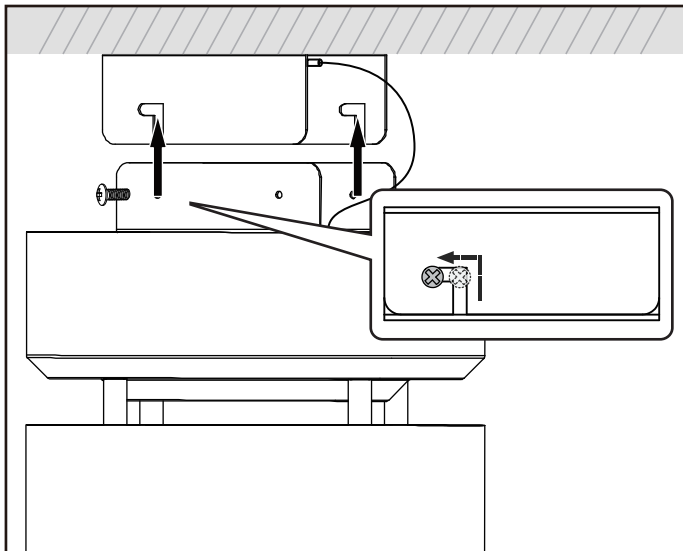
### Step 3

Route the AC cable through the upper mounting bracket and the side hole on the top plating and connect the power wires to wires from the fixture (see P4 for circuit diagram).



### Step 4

Attach the top plating to the fixture, turn until the two latches on the top plating is secured with the latches inside the fixture housing. Make sure the hole on the top plating latch is aligned with the hole on the side of the fixture. Insert and fasten the screw to secure the top plating.



### Step 5

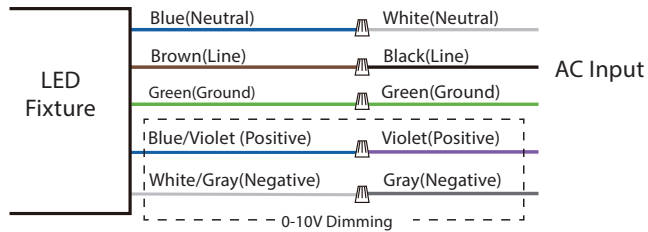
Reattach the upper mounting bracket and the safety hook to the top of the fixture, slide to lock (align with the hole on the bottom bracket), and secure with screws.

# ADVANCED HIGH CEILING Signum 8 - Surface Mount

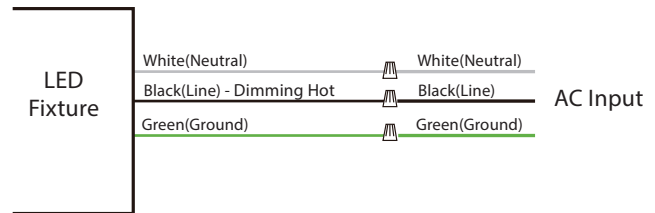


## Wiring Diagram

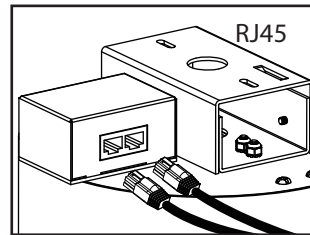
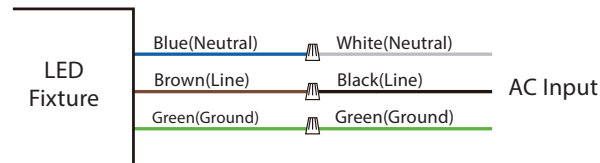
### 0-10V/Superior0-10V



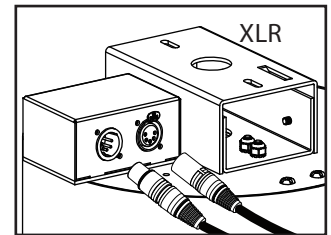
### LTE



### DMX



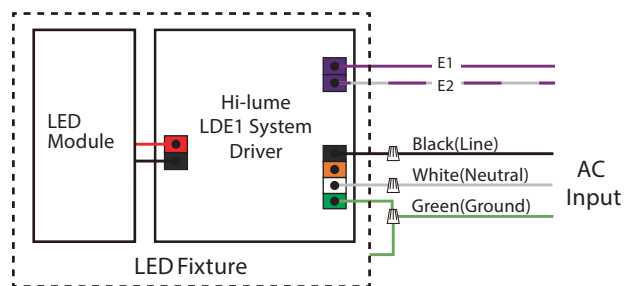
Connect DMX by using a standard shielded CAT5/6 cable.



Connect DMX by using a standard DMX512 XLR cable with 5 pin in/out connector (by others).

\*The last fixture has to be terminated with a DMX Terminator (by others).

### LDE1



## ADVANCED HIGH CEILING Signum 8 - Surface Mount



---

### Application note : Wiring for DMX/RDM lighting systems

DMX/RDM is a robust and reliable system for lighting control. However, if not implemented correctly, problems can arise such as random flashing of lights, erratic operation and delays in responding to commands. This document explains the best practices in DMX wiring.

#### Important things to consider are:

1. DMX is a three-wire system. Use all three!
2. DMX is based on the EIA-485/RS-485 standard.
3. Always use cable specifically designed for DMX / RS-485. These cables have an impedance of 120Ω and a low capacitance. For instance : Belden 9841 or 3105a.
4. DMX must be terminated with a 120Ω resistor to prevent reflections.
5. A daisy chain topology should be used.
6. After 32 unit loads a repeater/booster should be used.  
(Important : For tunable white fixtures, After "15" unit loads a repeater/booster should be used.)
7. Keep cabling below 200 meters between the controller and the last driver.
8. It is generally considered good practice to provide separate DMX in and DMX out / DMX thru connections to your fixture to aid in installation. This can be in the form of pigtails, RJ-45 connectors or 5-pin XLR connectors.
9. Use twisted pair cables with an impedance of 120Ω and a low capacitance.
10. UTP Cat5 or Cat6 network cable can also be used but have a slightly lower impedance of 100Ω.
11. If shielded cable is used, only connect shield to ground on one side (typically, the controller should have its shield terminal connected to ground).
12. Not following the above recommendations may seem to work at first, but can cause problems. Sometimes after weeks of seemingly normal operation.