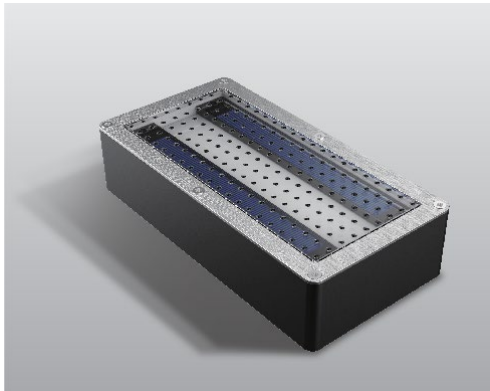
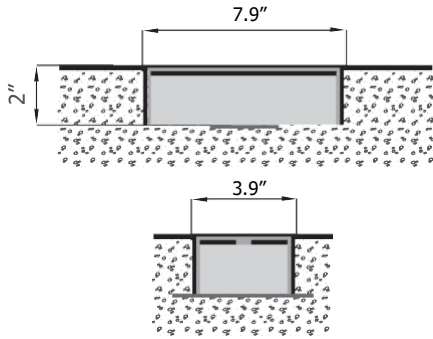


SH-180 - Solar LED Paver

Water Proof / No Wiring



METEOR Solar LED Paver lights incorporate state-of-the-art technology, combining the best solar panels, power storage and optical design to create products that will function for years to come.



Quantity
Project
Note
Type

General

Weight: 2.54 lbs
 Rim Finish: Brushed/Polished stainless steel; Optional: SUS316 stainless steel / Brass
 Lens: GE super light permeable PC
 Housing: SUS304 stainless steel, cast aluminum
 Power Storage: Ultracapacitor

Operational

Operation Time: Minimum 12 hours(fully charged) 4-8 hours(overcast)
 Full Charge Time: 6 hours(direct sunlight)
 Switch: Light sensitive auto on/off

Environmental

Compressive Strength: 9902 lbs/4456 kgs(maximum)
 Operating Temperature: -4o F to 140o F
 Storage Temperature: -13o F to 176o F

Warranty

3 year limited warranty. See www.meteor-lighting.com for details.



How To Specify

Ordering Example: SH180C-AMB-BS-HS

Model	CCT	Finish	Housing
SH180C (Product)	AMB (Amber)	BS (Brushed Stainless Steel)	HS (Housing and Anchor Plate Included)
SH180B (Battery sample)	BLU (Blue)	PS (Polished Stainless Steel)	
	GEN (Green)	SS (SUS316 Stainless Steel)	
	RED (Red)	BR (Brass)	
	WHT (White/5500-6000K)		
	WAM (Warm White/2800-3000K)		

*Color	LUX(Average)
White	55
Amber	40
Red	80
Blue	35
Green	90
Warm White	47.5