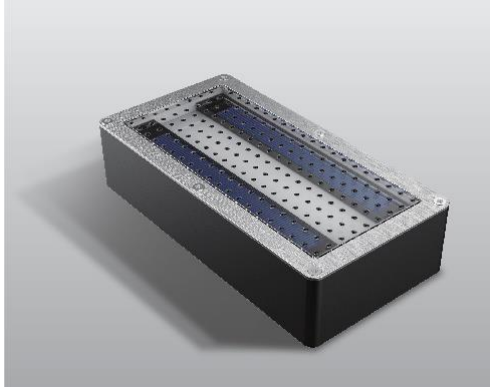
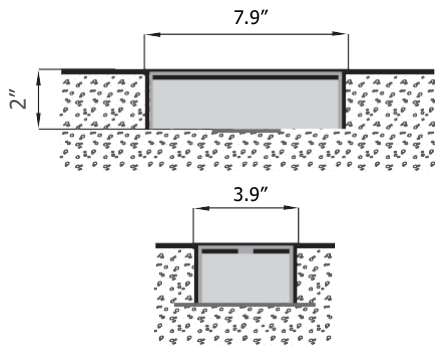


# SH-180 - Solar LED Paver

Water Proof / No Wiring



METEOR Solar LED Paver lights incorporate state-of-the-art technology, combining the best solar panels, power storage and optical design to create products that will function for years to come.



|          |
|----------|
| Quantity |
| Project  |
| Note     |
| Type     |

**General**

Weight: 2.54 lbs  
 Rim Finish: Brushed/Polished stainless steel; Optional: SUS316 stainless steel / Brass  
 Lens: GE super light permeable PC  
 Housing: SUS304 stainless steel, cast aluminum  
 Power Storage: Ultracapacitor

**Operational**

Operation Time: Minimum 12 hours (fully charged) 4-8 hours (overcast)  
 Full Charge Time: 6 hours (direct sunlight)  
 Switch: Light sensitive auto on/off

**Environmental**

Compressive Strength: 9902 lbs/4456 kgs(maximum)  
 Operating Temperature: -4° F to 140° F  
 Storage Temperature: -13° F to 176° F

**Warranty**

3 year limited warranty. See [www.meteor-lighting.com](http://www.meteor-lighting.com) for details.



**How To Specify**

**Ordering Example: SH180C-AMB-BS-HS**

| Model                          | CCT                                | Finish                               | Housing                                       |
|--------------------------------|------------------------------------|--------------------------------------|---|
| <b>SH180C</b> (Product)        | <b>AMB</b> (Amber)                 | <b>BS</b> (Brushed Stainless Steel)  | <b>HS</b> (Housing and Anchor Plate Included) |
| <b>SH180B</b> (Battery sample) | <b>BLU</b> (Blue)                  | <b>PS</b> (Polished Stainless Steel) |   |
|                                | <b>GEN</b> (Green)                 | <b>SS</b> (SUS316 Stainless Steel)   |   |
|                                | <b>RED</b> (Red)                   | <b>BR</b> (Brass)                    |   |
|                                | <b>WHT</b> (White/5500-6000K)      |                                      |   |
|                                | <b>WAM</b> (Warm White/2800-3000K) |                                      |   |

| *Color     | LUX(Average) |
|------------|--------------|
| White      | 55           |
| Amber      | 40           |
| Red        | 80           |
| Blue       | 35           |
| Green      | 90           |
| Warm White | 47.5         |