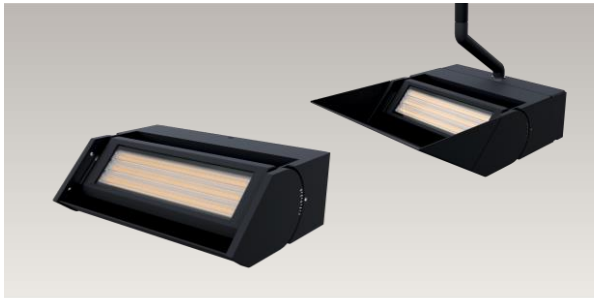


REIZEN – Tunable White Indoor



The REIZEN is an indirect asymmetric luminaire available in sconce or pendant form that provides sophisticated vertical illuminance. Available with our Colorflip™ tunable white technology from 3000K to 5000K, this functionality brings a multifaceted option to a variety of architectural high ceiling spaces such as commercial, education, hospitality, municipalities, retail, and sports-recreation areas.



Quantity		Type	
Project		Note	

Delivered Lumens

ColorFlip™	3000K	3500K	4000K	4500K	5000K
DMX CCT Signal (%)	0%	25%	45%	60%	100%
0-10V CCT Voltage	0	2.5	4.5	6	10
TNW 110W Light Engine	11,750 lm	12,850 lm	13,950 lm	13,925 lm	13,900 lm
CRI	85	83	82	80	75

Electrical System

- 110W Light Engine
- Power Input: Universal (120-277V)
- Operating Temperature: -40°F~113°F
- Surge Protection: 4 KV
- Power Factor Greater than 0.9

LED Technology

- ColorFlip™ (Tunable White: 3000K ↔ 5000K)
- 3000K / 85 CRI, 5000K / 75 CRI
- Beam Angle: Asymmetric
- Rated Life > 60,000 Hours (L70)

Advanced Dimming

(Proprietary VX Driver is incorporated to all dimming options for video flicker-free lighting)

- Superior 0-10V: dims to 1%
- DMX: high resolution dims to 0.1%
(Supports ANSI E1.20 RDM protocol)

Housing

- Dimensions & Weight:
- Standard: 13.05"x 9.84"x 4.33" (19.8 lb)
- With Visor: 13.05"x 14.77"x 4.33" (22.9 lb)
- Material: Stainless Steel Housing, Aluminum Heat Sink

Mounting

- Wall Mount
- Stem Mount

Warranty

- 5-year limited warranty

Listing

- ETL Damp Location Listed
- FCC
- CE



REIZEN – Tunable White Indoor



How to Specify:

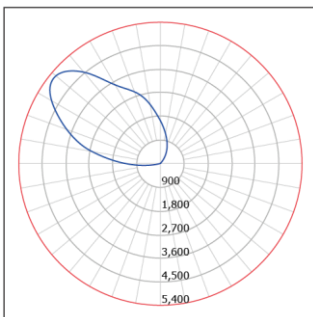
Ordering Example: RI-TNW-UNV-DMXR-ASY-WHT-WLM-GSV

4-5 weeks lead time on over 75% of specifications.

Model	Light Source	Voltage	Dimming
RI			
REIZEN	TNW 3000K – 5000K 110W Light Engine 11,750 to 13,900 Delivered Lumens	UNV 120-277V	SPV Superior 1-10V dims to 1% DMXR DMX dims to 0.1% (RJ45 Sockets)

Beam Angle	Finish	Mounting	Accessories
ASY Asymmetric	BLK Black WHT White	WLM Wall Mount ST4 Stem 4ft ST8¹ Stem 8 ft	GSV¹ Glare Shield Visor
		¹ Includes two 4ft stem connected by an adapter.	¹ Please factor in change in lumen output of -10%.

Photometric Summary



TNW

Descriptive Information

Total delivered lumens: 13,900 Lumens
 Input watts at 120V: 110 W
 Source: LED
 CCT/CRI: 4000K/85CRI

REIZEN – Tunable White Indoor

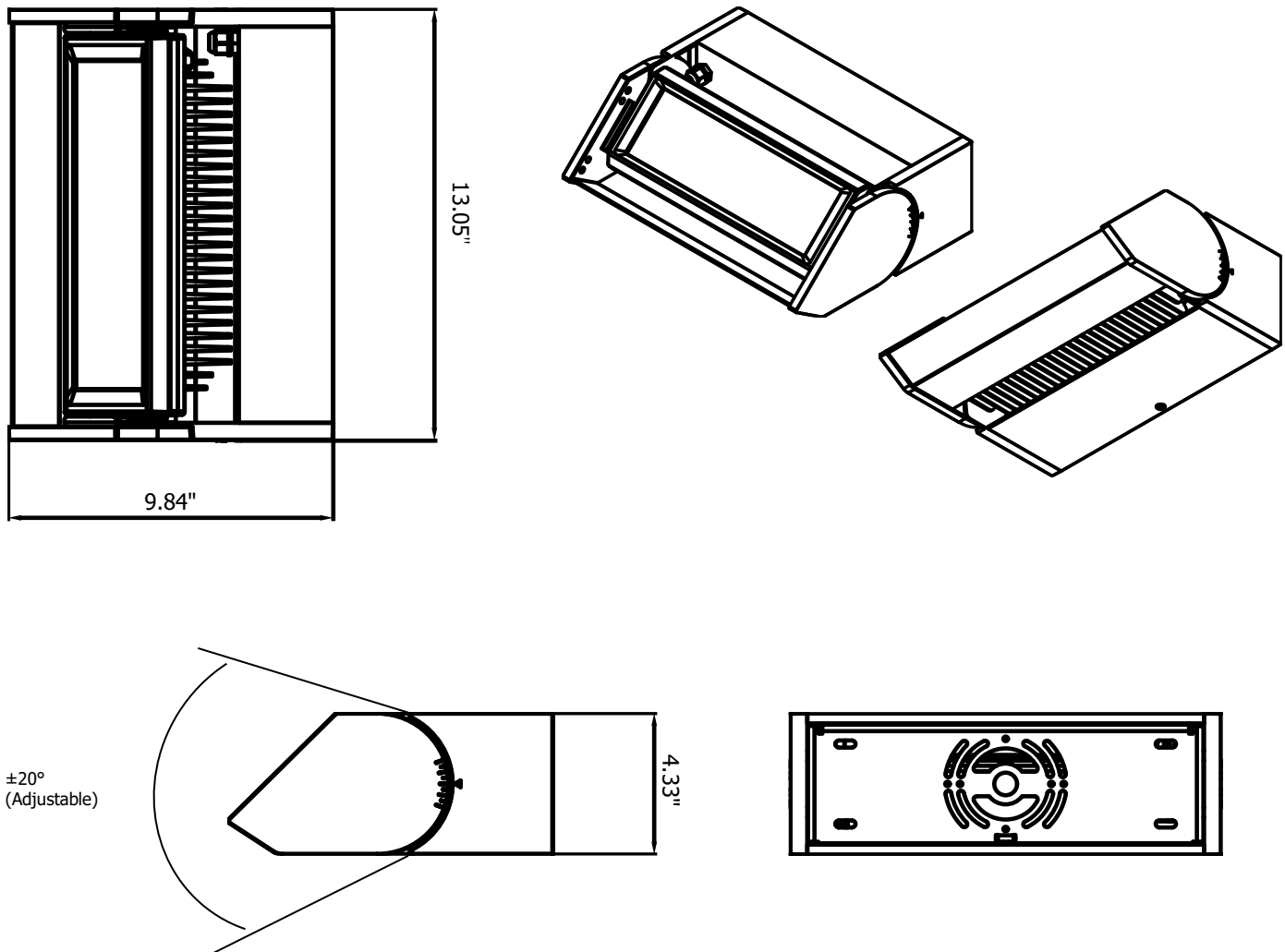


Current Consumption

Light Source	Wattage	120V	277V
TNW	110W	1.38A	0.60A

Dimensions

TNW / Wall Mount

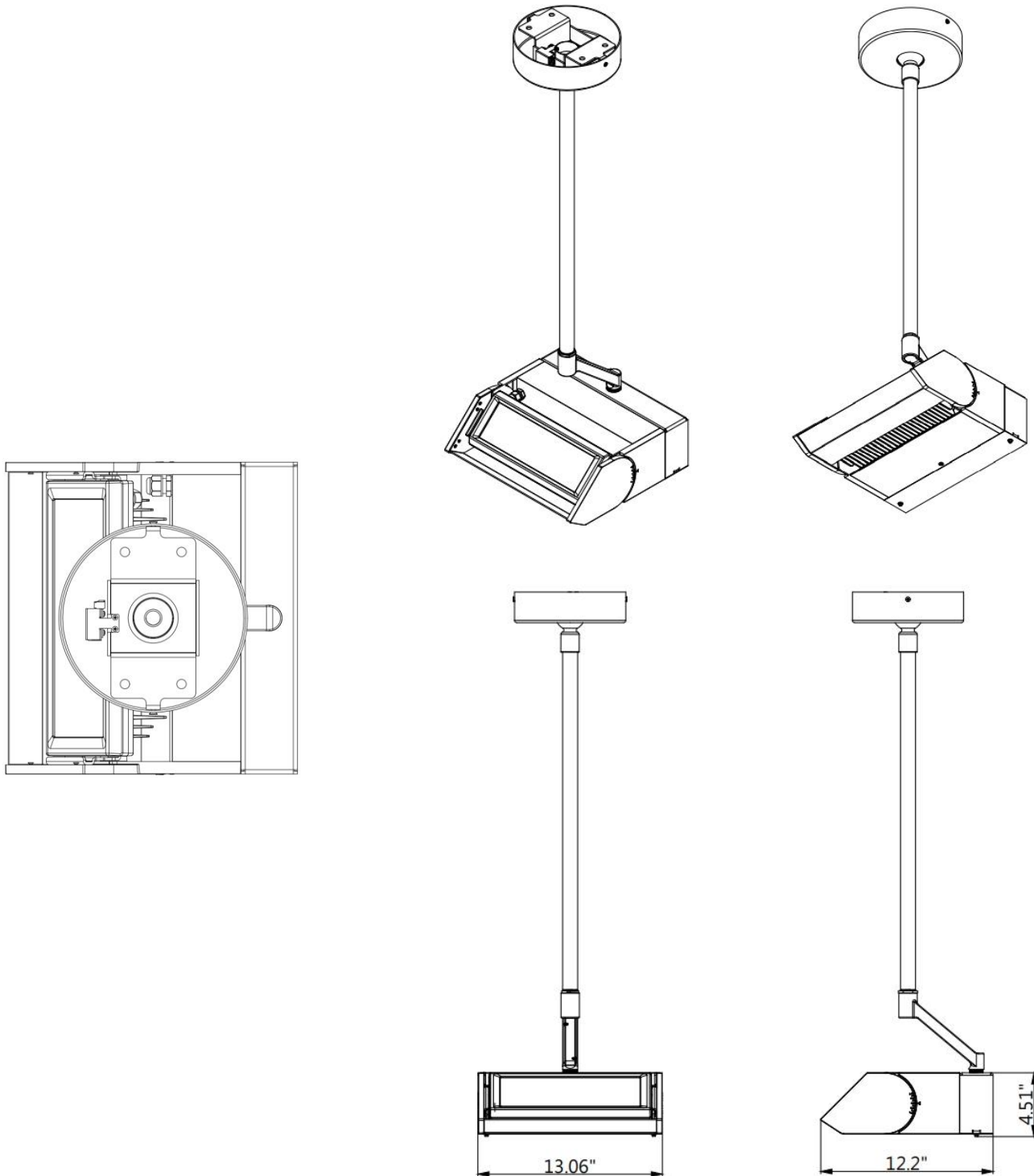


REIZEN – Tunable White Indoor



Dimensions

TNW / Stem Mount



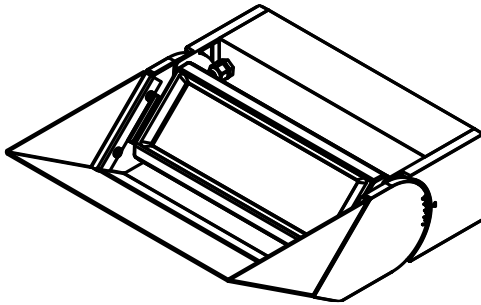
REIZEN – Tunable White Indoor



Accessory

Glare Shield Visor

TNW



13.05"



4.93"

