

REIZEN - Outdoor



The REIZEN is an indirect asymmetric luminaire available in sconce or pendant forms that is outdoor rated, with a natatorium rated option. It is the most efficient, compact, and lightweight indirect asymmetric luminaire currently available in the market with up to 136 lm/w.

This luminaire provides vertical illuminance with smooth and uniform distribution, and is perfect for commercial, education, hospitality, municipalities, retail, and sports-recreation areas, where the Reizen can be used to illuminate high ceiling spaces the emphasize its spatial structure.

Quantity		Type	
Project		Note	

Electrical System

- Power Input: Universal (120-277V); HVT (347-480V)
- Operating Temperature: -40°F~113°F
- Surge Protection: 4 KV
- Power Factor Greater than 0.9

LED Technology

- 3000K, 3500K, 4000K, 5000K
- 85 CRI, 75 CRI
- Beam Angle: Asymmetric
- Rated Life > 60,000 Hours (L70)

Advanced Dimming

(Proprietary VX Driver is incorporated to all dimming options for video flicker-free lighting)

- Standard 1-10V: dims to 10%

Housing

- Dimensions & Weight:
- 110L & 190L: 13.05"x 9.84"x 4.33" (19.8 lb)
- 210L & 370L: 24.86"x 9.84"x 4.33" (38.8 lb)
- With Visor 110L & 190L: 13.05"x 14.77"x 4.33" (22.9 lb)
- With Visor 210L & 370L: 24.86"x 14.77"x 4.33" (44.9 lb)
- Material: Stainless Steel Housing, Aluminum Heatsink, Tempered Glass

Mounting

- Wall Mount
- Stem Mount

Warranty

- 5-year limited warranty

Listing

- ETL Wet Location Listed
- IP65
- FCC
- CE



REIZEN - Outdoor



How to Specify:

Ordering Example: RI-110L-408-UNV-STV-ASY-WHT-WLM-GSV

4-5 weeks lead time on over 75% of specifications.

Model	*Light Source	CCT / CRI	Voltage
RI			
REIZEN	110L 100W Light Engine 10,900 Delivered Lumens 190L 150W Light Engine 19,000 Delivered Lumens 210L 200W Light Engine 21,350 Delivered Lumens 370L 300W Light Engine 37,200 Delivered Lumens *Delivered lumens shown are at 4000K CCT. See Delivered Lumens table for other CCT	308 3000K / CRI85 358 3500K / CRI85 408 4000K / CRI85 507 5000K / CRI75	UNV 120-277V HVT 347V-480V

Dimming	Beam Angle	Finish	Mounting	Accessories
STV Standard 1-10V dims to 10%	ASY Asymmetric	BLK Black WHT White	WLM Wall Mount ST4 Stem 4ft ST8¹ Stem 8 ft <small>¹Includes two 4ft stem connected by an adapter.</small>	GSV² Glare Shield Visor <small>²Please factor in change in lumen output of -10%.</small>

Rating

OUT	Outdoor Rating
NAT	Natatorium Rating

REIZEN - Outdoor



Delivered Lumens

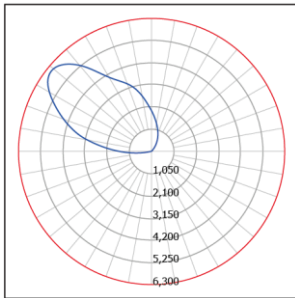
Light Source CCT	110L	190L	210L	370L
5000K	11,500 lm	20,850 lm	22,500 lm	40,850 lm
4000K	10,900 lm	19,000 lm	21,350 lm	37,200 lm
3500K	10,600 lm	18,500 lm	20,500 lm	36,500 lm
3000K	10,150 lm	17,650 lm	19,850 lm	34,550 lm

Current Consumption

Light Source	Wattage	120V	277V
110 L	100W	0.92A	0.4A
190 L	150W	1.38A	0.60A
210 L	200W	1.83A	0.8A
370 L	300W	2.75A	1.20A

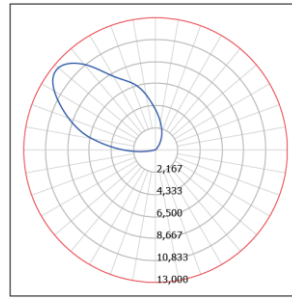
* Tolerance ± 8%

Photometric Summary



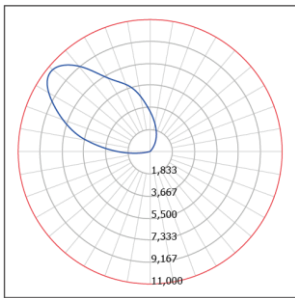
110L

Descriptive Information
 Total delivered lumens: 10,900 Lumens
 Input watts at 120V: 100 W
 Efficacy: 109 lm/w
 Source: LED
 CCT/CRI: 4000K/85CRI



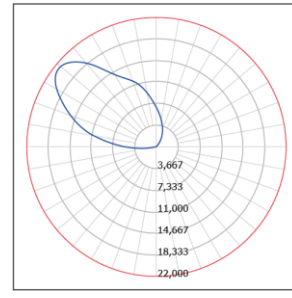
210L

Descriptive Information
 Total delivered lumens: 21,350 Lumens
 Input watts at 120V: 200 W
 Efficacy: 106.7 lm/w
 Source: LED
 CCT/CRI: 4000K/85CRI



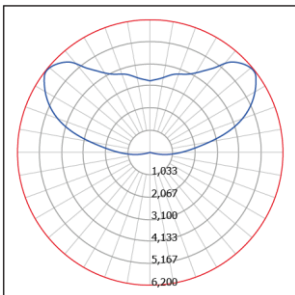
190L

Descriptive Information
 Total delivered lumens: 19,000 Lumens
 Input watts at 120V: 150 W
 Efficacy: 126.6 lm/w
 Source: LED
 CCT/CRI: 4000K/85CRI



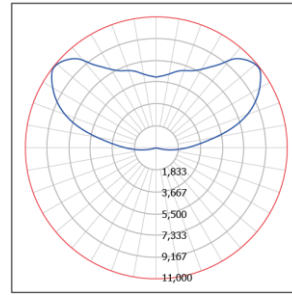
370L

Descriptive Information
 Total delivered lumens: 37,200 Lumens
 Input watts at 120V: 300 W
 Efficacy: 123.8 lm/w
 Source: LED
 CCT/CRI: 4000K/85CRI



210L - STEM

Descriptive Information
 Total delivered lumens: 21,350 Lumens
 Input watts at 120V: 200 W
 Efficacy: 106.7 lm/w
 Source: LED
 CCT/CRI: 4000K/85CRI



370L - STEM

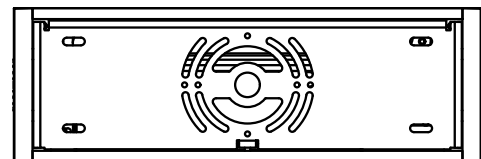
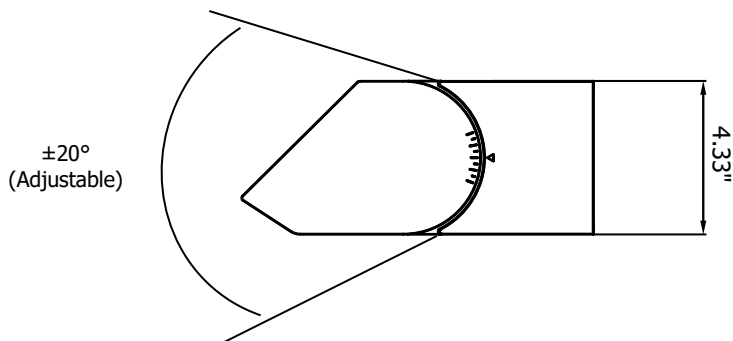
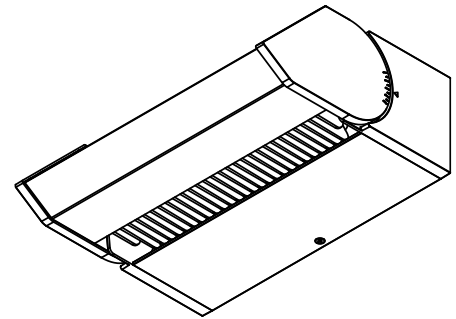
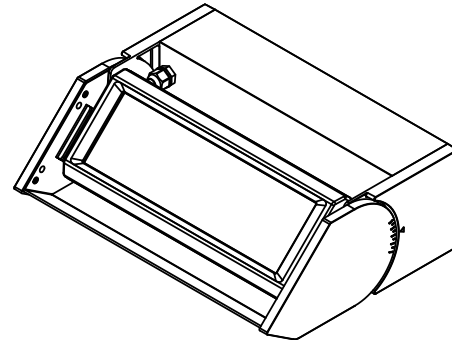
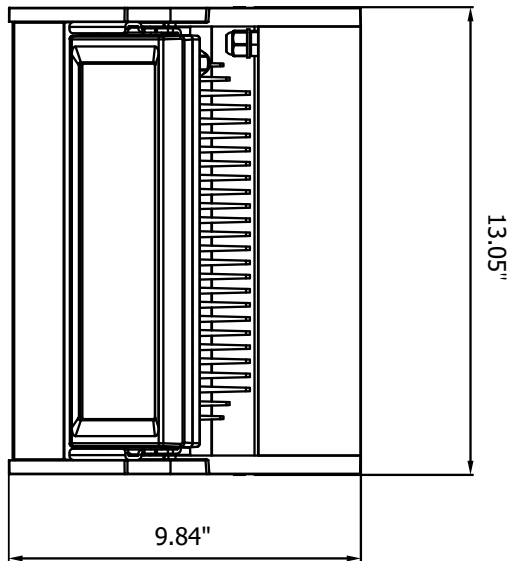
Descriptive Information
 Total delivered lumens: 37,200 Lumens
 Input watts at 120V: 300 W
 Efficacy: 123.6 lm/w
 Source: LED
 CCT/CRI: 4000K/85CRI

REIZEN - Outdoor



Dimensions

110L & 190L / Wall Mount

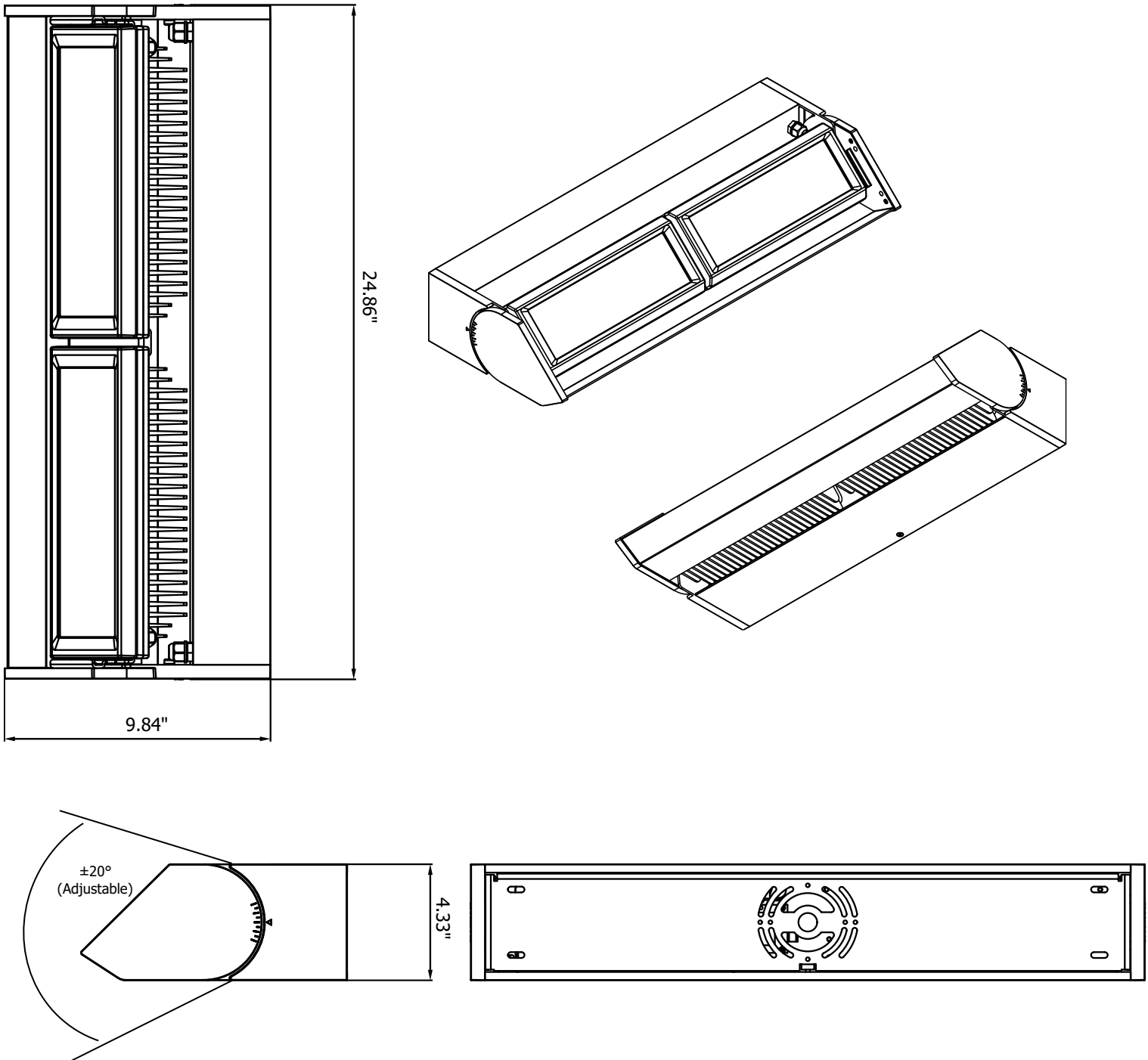


REIZEN - Outdoor



Dimensions

210L & 370L / Wall Mount

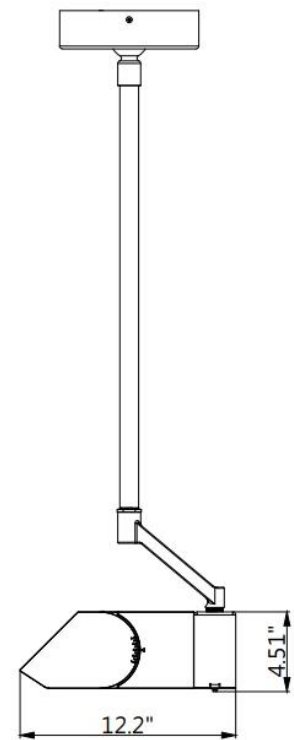
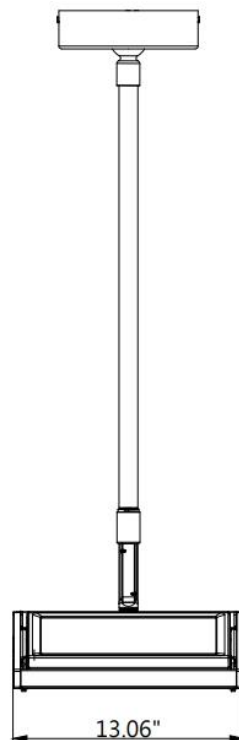
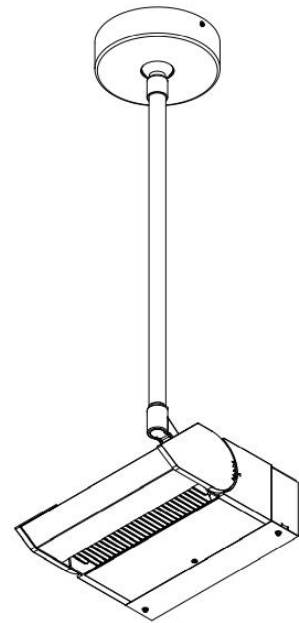
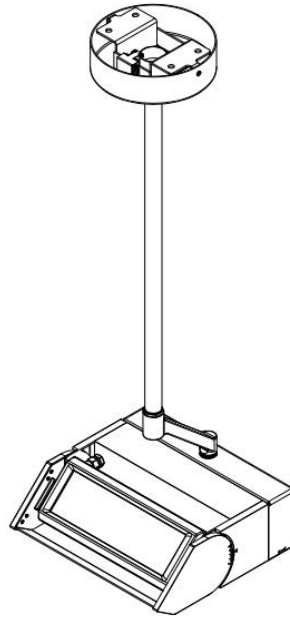
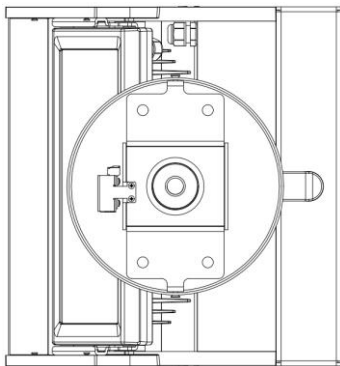


REIZEN - Outdoor



Dimensions

110L & 190L Stem Mount

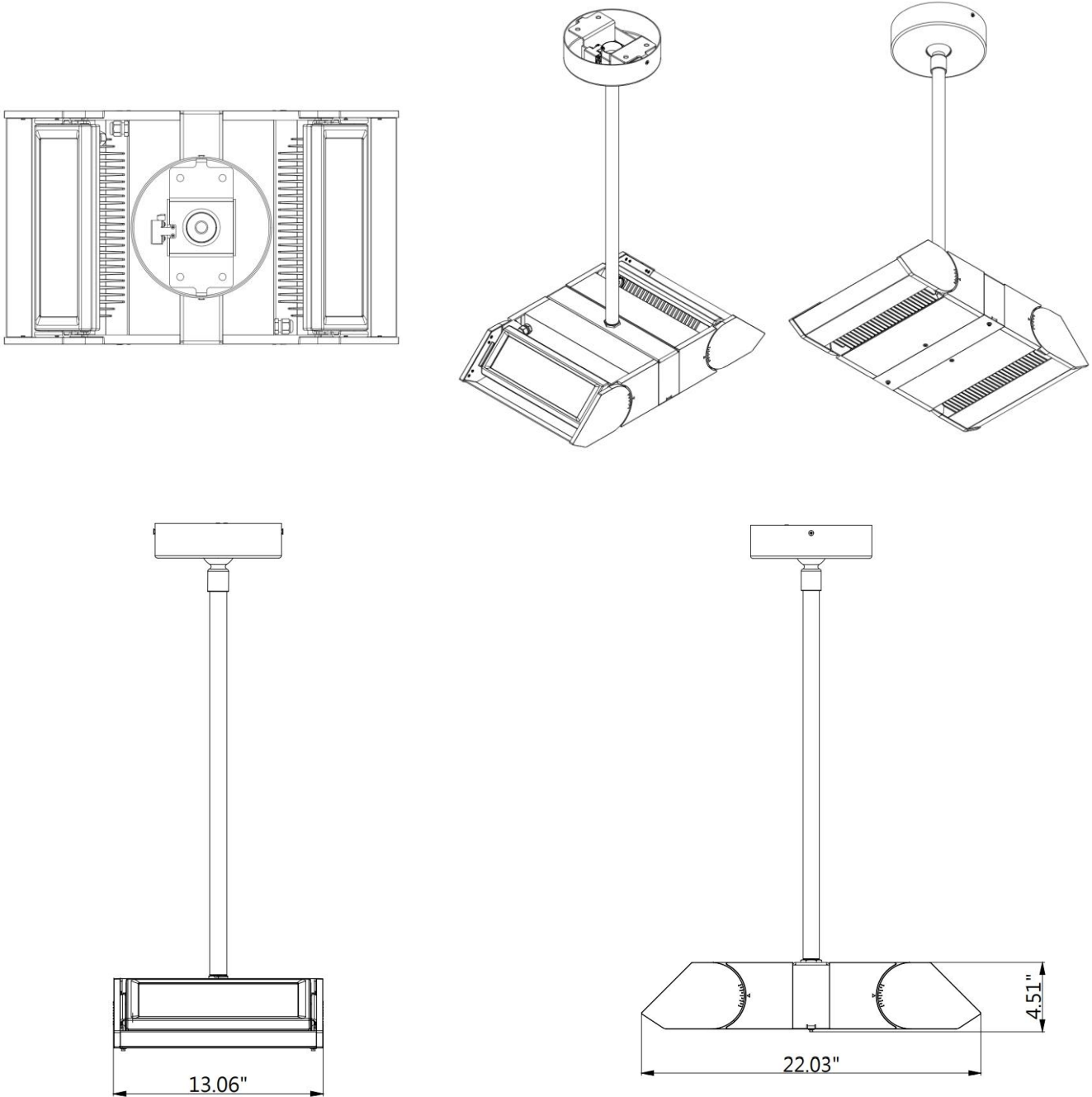


REIZEN - Outdoor



Dimensions

210L & 370L Stem Mount

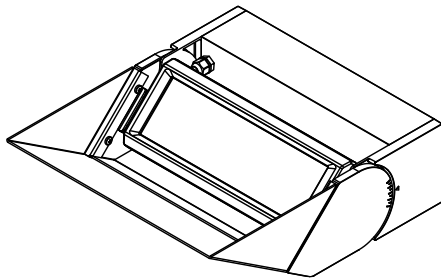


REIZEN - Outdoor

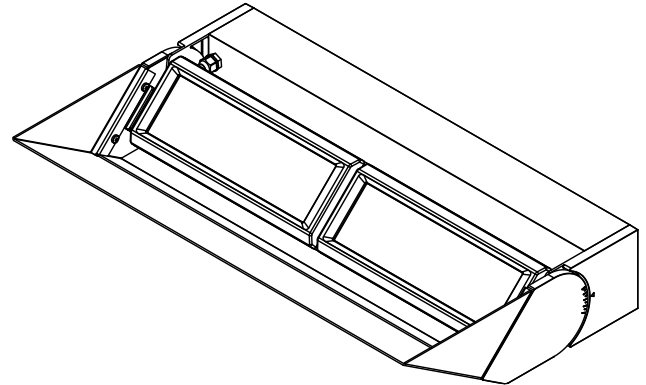


Accessory Glare Shield Visor

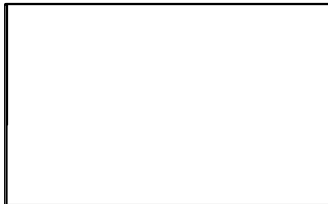
100W / 150W



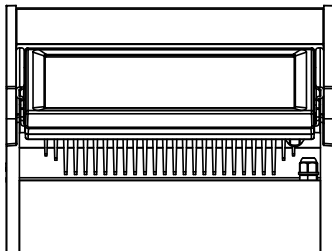
200W / 300W



13.05"



4.93"



24.86"



4.93"

