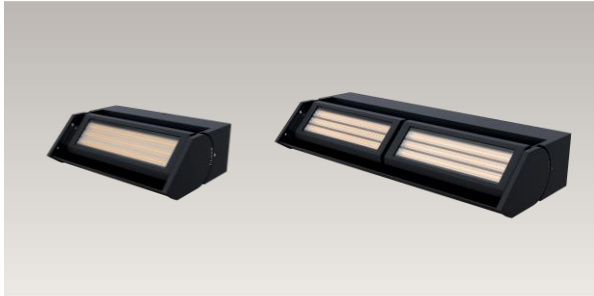


# REIZEN - Indoor



The REIZEN is an indirect asymmetric luminaire available in sconce or pendant forms. It is the most efficient, compact, and lightweight indirect asymmetric luminaire currently available in the market with up to 136 lm/w.

This luminaire provides vertical illuminance with smooth and uniform distribution, and is perfect for commercial, education, hospitality, municipalities, retail, and sports-recreation areas, where the Reizen can be used to illuminate high ceiling spaces the emphasize its spatial structure.

Quantity		Type	
Project		Note	

### Electrical System

- Power Input: Universal (120-277V); HVT (347-480V)
- Operating Temperature: -40°F~113°F
- Surge Protection: 4 KV
- Power Factor Greater than 0.9

### LED Technology

- 3000K, 3500K, 4000K, 5000K
- 85 CRI, 75 CRI
- Beam Angle: Asymmetric
- Rated Life > 60,000 Hours (L70)

### Advanced Dimming

(Proprietary VX Driver is incorporated to all dimming options for video flicker-free lighting)

- Standard 1-10V: dims to 10%

### Housing

- Dimensions & Weight:
- 110L & 190L: 13.05"x 9.84"x 4.33" (19.8 lb)
- 210L & 370L: 24.86"x 9.84"x 4.33" (38.8 lb)
- With Visor 110L & 190L: 13.05"x 14.77"x 4.33" (22.9 lb)
- With Visor 210L & 370L: 24.86"x 14.77"x 4.33" (44.9 lb)
- Material: Stainless Steel Housing, Aluminum Heatsink, Tempered Glass

### Mounting

- Wall Mount
- Stem Mount

### Warranty

- 5-year limited warranty

### Listing

- ETL Damp Location Listed
- FCC
- CE



Not all REIZEN Series are DLC qualified. For all qualified products. Please visit: [www.designlights.org/qpl](http://www.designlights.org/qpl)

# REIZEN - Indoor



## How to Specify:

**Ordering Example: RI-110L-408-UNV-STV-ASY-WHT-WLM-GSV**

**4-5 weeks lead time on over 75% of specifications.**

Model	*Light Source	CCT / CRI	Voltage
RI			
REIZEN	<b>110L</b> 100W Light Engine   10,900 Delivered Lumens <b>190L</b> 150W Light Engine   19,000 Delivered Lumens <b>210L</b> 200W Light Engine   21,350 Delivered Lumens <b>370L</b> 300W Light Engine   37,200 Delivered Lumens  *Delivered lumens shown are at 4000K CCT. See Delivered Lumens table for other CCT	<b>308</b> 3000K / CRI85 <b>358</b> 3500K / CRI85 <b>408</b> 4000K / CRI85 <b>507</b> 5000K / CRI75	<b>UNV</b> 120-277V <b>HVT</b> 347V-480V

Dimming	Beam Angle	Finish	Mounting	Accessories
<b>STV</b> Standard 1-10V dims to 10% <b>SPV*</b> Superior 0-10V dims to 1% <b>DMXR*</b> DMX dims to 0.1% (RJ45)  *Not compatible with 210L & 370L Stem Mounts	<b>ASY</b> Asymmetric	<b>BLK</b> Black <b>WHT</b> White	<b>WLM</b> Wall Mount <b>ST4</b> Stem 4ft <b>ST8*</b> Stem 8 ft  *Includes two 4ft stem connected by an adapter.	<b>GSV*</b> Glare Shield Visor  *Please factor in change in lumen output of -10%.

## Delivered Lumens

Light Source CCT	110L	190L	210L	370L
5000K	11,500 lm	20,850 lm	22,500 lm	40,850 lm
4000K	10,900 lm	19,000 lm	21,350 lm	37,200 lm
3500K	10,600 lm	18,500 lm	20,500 lm	36,500 lm
3000K	10,150 lm	17,650 lm	19,850 lm	34,550 lm

## Current Consumption

Light Source	Wattage	120V	277V
<b>110 L</b>	100W	0.92A	0.4A
<b>190 L</b>	150W	1.38A	0.60A
<b>210 L</b>	200W	1.83A	0.8A
<b>370 L</b>	300W	2.75A	1.20A

## DesignLights Consortium™ Qualified Luminaires:

DLC QPL Model Number: RI-150-408, RI-300-408

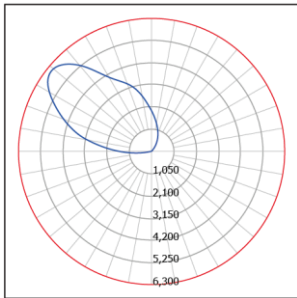
Not all product variations listed on this page are DLC qualified.

To ensure that a specific model is qualified, visit [www.designlights.org/search](http://www.designlights.org/search).

# REIZEN - Indoor

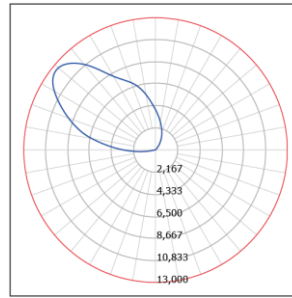


## Photometric Summary



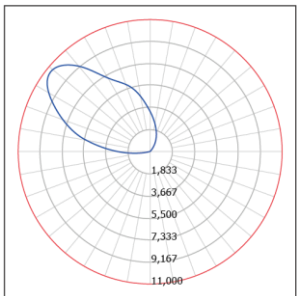
### **110L**

**Descriptive Information**  
 Total delivered lumens: 10,900 Lumens  
 Input watts at 120V: 100 W  
 Efficacy: 109 lm/w  
 Source: LED  
 CCT/CRI: 4000K/85CRI



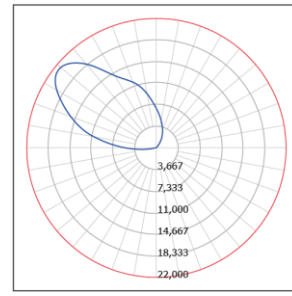
### **210L**

**Descriptive Information**  
 Total delivered lumens: 21,350 Lumens  
 Input watts at 120V: 200 W  
 Efficacy: 106.7 lm/w  
 Source: LED  
 CCT/CRI: 4000K/85CRI



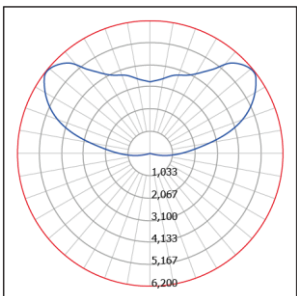
### **190L**

**Descriptive Information**  
 Total delivered lumens: 19,000 Lumens  
 Input watts at 120V: 150 W  
 Efficacy: 126.6 lm/w  
 Source: LED  
 CCT/CRI: 4000K/85CRI



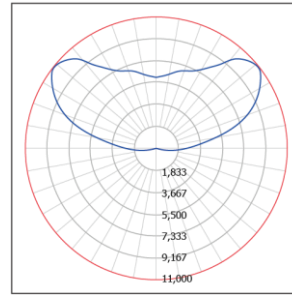
### **370L**

**Descriptive Information**  
 Total delivered lumens: 37,200 Lumens  
 Input watts at 120V: 300 W  
 Efficacy: 123.8 lm/w  
 Source: LED  
 CCT/CRI: 4000K/85CRI



### **210L - STEM**

**Descriptive Information**  
 Total delivered lumens: 21,350 Lumens  
 Input watts at 120V: 200 W  
 Efficacy: 106.7 lm/w  
 Source: LED  
 CCT/CRI: 4000K/85CRI



### **370L - STEM**

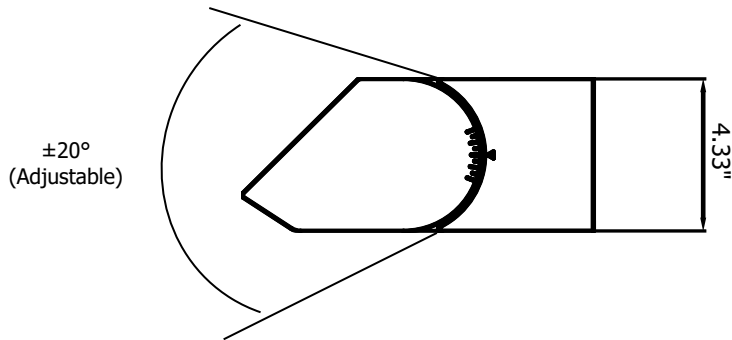
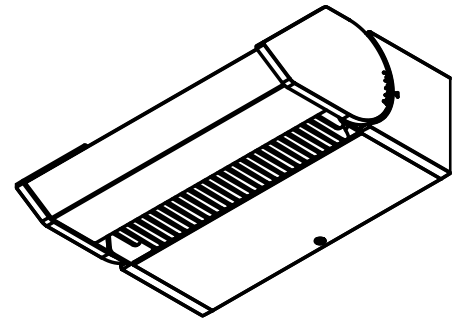
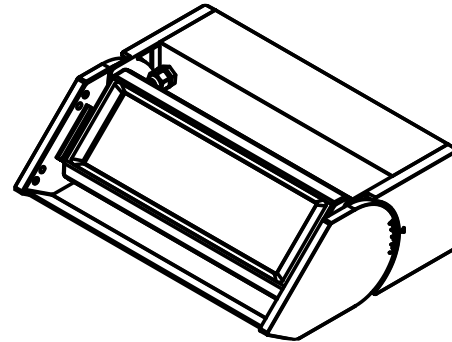
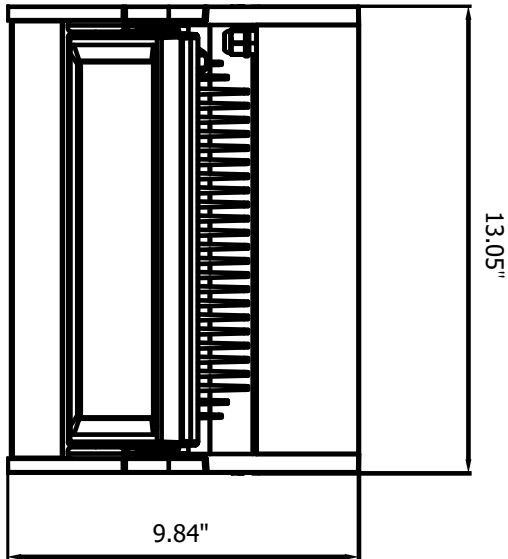
**Descriptive Information**  
 Total delivered lumens: 37,200 Lumens  
 Input watts at 120V: 300 W  
 Efficacy: 123.6 lm/w  
 Source: LED  
 CCT/CRI: 4000K/85CRI

# REIZEN - Indoor



## Dimensions

110L & 190L / Wall Mount

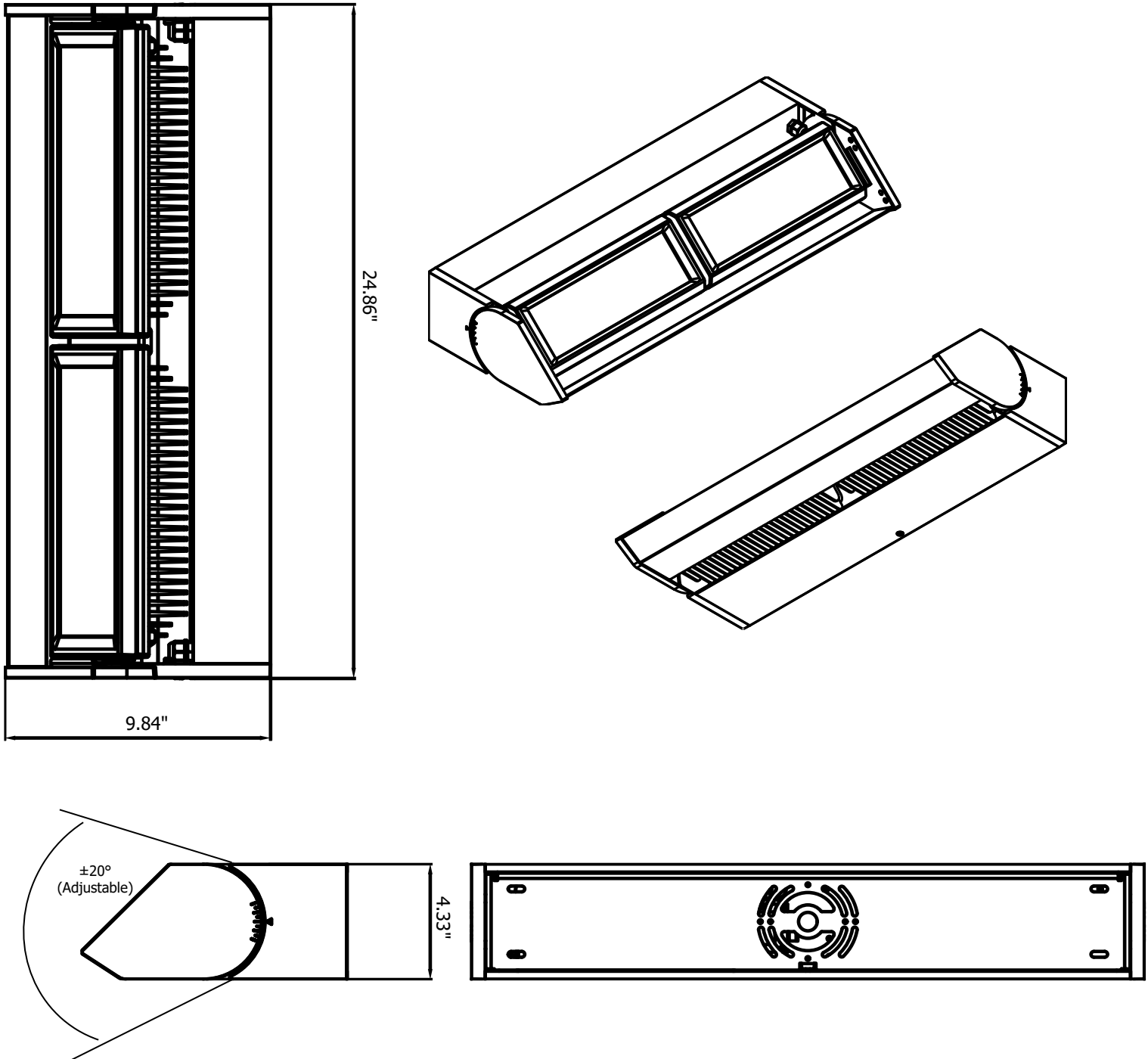


# REIZEN - Indoor



## Dimensions

210L & 370L / Wall Mount

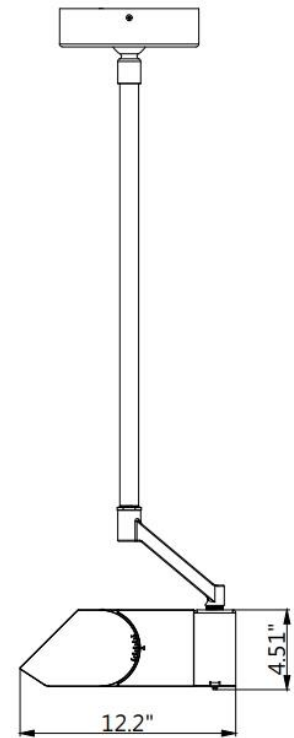
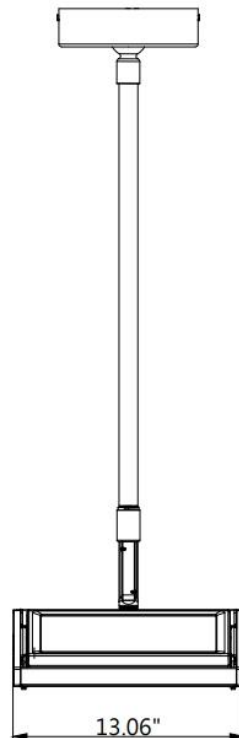
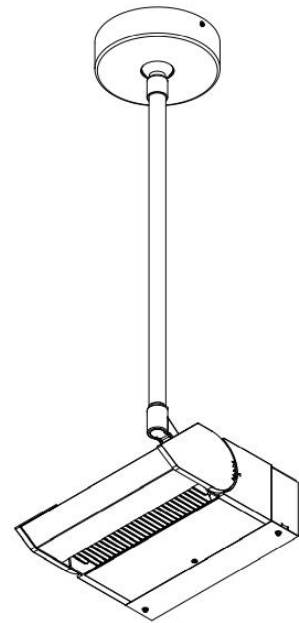
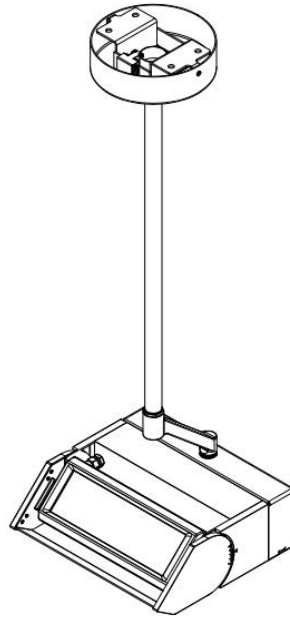
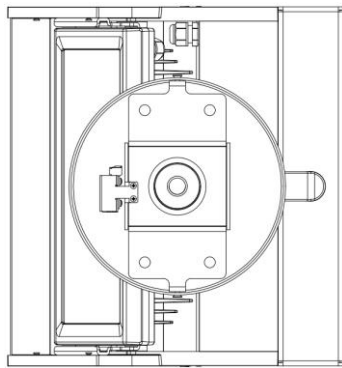


# REIZEN - Indoor



## Dimensions

110L & 190L Stem Mount

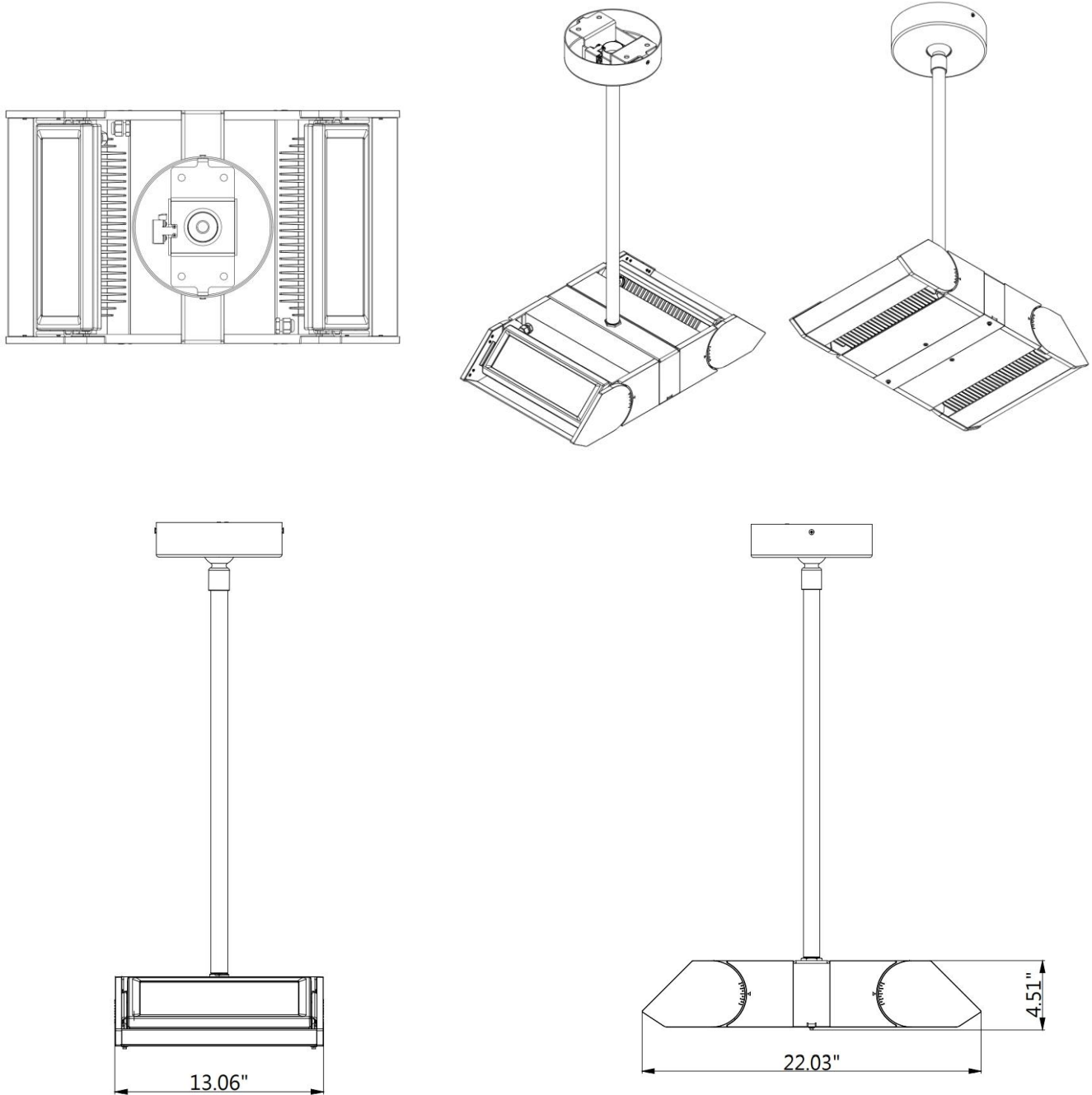


# REIZEN - Indoor



## Dimensions

210L & 370L Stem Mount

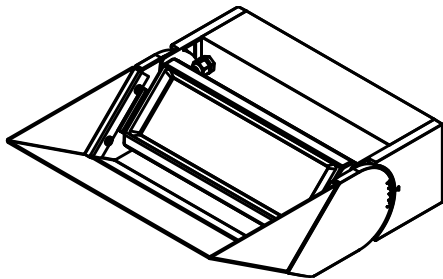


# REIZEN - Indoor

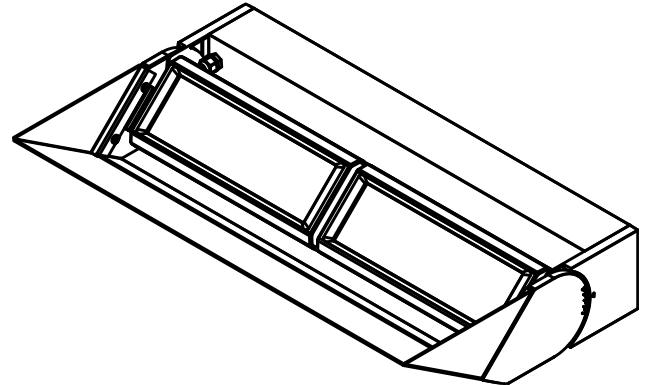


## Accessory Glare Shield Visor

110L & 190L



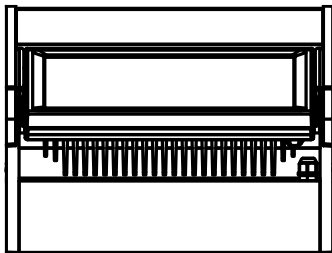
210L & 370L



13.05"



4.93"



24.86"



4.93"

