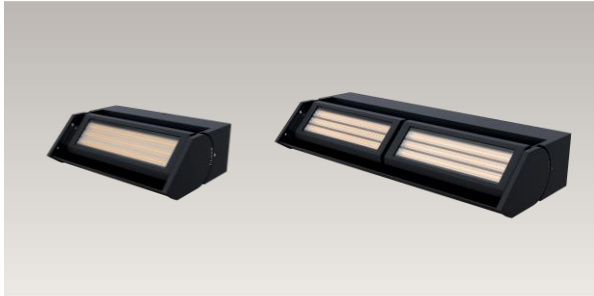


REIZEN - Indoor



The REIZEN is an indirect asymmetric luminaire available in sconce or pendant forms. It is the most efficient, compact, and lightweight indirect asymmetric luminaire currently available in the market with up to 136 lm/w.

This luminaire provides vertical illuminance with smooth and uniform distribution, and is perfect for commercial, education, hospitality, municipalities, retail, and sports-recreation areas, where the Reizen can be used to illuminate high ceiling spaces the emphasize its spatial structure.

Quantity	Type
Project	Note

Electrical System

- Power Input: Universal (120-277V); HVT (347-480V)
- Operating Temperature: -40°F~113°F
- Surge Protection: 4 KV
- Power Factor Greater than 0.9

LED Technology

- 3000K, 4000K, 5000K
- 85 CRI, 75 CRI
- Beam Angle: Asymmetric
- Rated Life > 60,000 Hours (L70)

Advanced Dimming

(Proprietary VX Driver is incorporated to all dimming options for video flicker-free lighting)

- Standard 1-10V: dims to 10%

Housing

- Dimensions & Weight:
- 110L & 190L: 13.05"x 9.84"x 4.33" (19.8 lb)
- 210L & 370L: 24.86"x 9.84"x 4.33" (38.8 lb)
- With Visor 110L & 190L: 13.05"x 14.77"x 4.33" (22.9 lb)
- With Visor 210L & 370L: 24.86"x 14.77"x 4.33" (44.9 lb)
- Material: Stainless Steel Housing, Aluminum Heatsink, Tempered Glass

Mounting

- Wall Mount
- Stem Mount

Warranty

- 5-year limited warranty

Listing

- ETL Damp Location Listed
- FCC
- CE



Not all REIZEN Series are DLC qualified. For all qualified products. Please visit: www.designlights.org/qpl

REIZEN - Indoor



How to Specify:

Ordering Example: RI-110L-408-UNV-STV-ASY-WHT-WLM-GSV

4-5 weeks lead time on over 75% of specifications.

Model	*Light Source	CCT / CRI	Voltage
RI			
REIZEN	110L 100W Light Engine 10,900 Delivered Lumens	308 3000K / CRI85	UNV 120-277V
	190L 150W Light Engine 19,000 Delivered Lumens	408 4000K / CRI85	HVT 347V-480V
	210L 200W Light Engine 21,350 Delivered Lumens	507 5000K / CRI75	
	370L 300W Light Engine 37,200 Delivered Lumens		
	*Delivered lumens shown are at 4000K CCT. See Delivered Lumens table for other CCT		

Dimming	Beam Angle	Finish	Mounting	Accessories
STV Standard 1-10V dims to 10%	ASY Asymmetric	BLK Black	WLM Wall Mount	GSV* Glare Shield Visor
SPV* Superior 0-10V dims to 1%		WHT White	ST4 Stem 4ft	
DMXR* DMX dims to 0.1% (RJ45)			ST8* Stem 8 ft	
*Not compatible with 210L & 370L Stem Mounts			*Includes two 4ft stem connected by an adapter.	*Please factor in change in lumen output of -10%.

Delivered Lumens

Light Source CCT	110L	190L	210L	370L
5000K	11,500 lm	20,850 lm	22,500 lm	40,850 lm
4000K	10,900 lm	19,000 lm	21,350 lm	37,200 lm
3000K	10,150 lm	17,650 lm	19,850 lm	34,550 lm

Current Consumption

Light Source	Wattage	120V	277V
110 L	100W	0.92A	0.4A
190 L	150W	1.38A	0.60A
210 L	200W	1.83A	0.8A
370 L	300W	2.75A	1.20A

DesignLights Consortium™ Qualified Luminaires:

DLC QPL Model Number: RI-150-408, RI-300-408

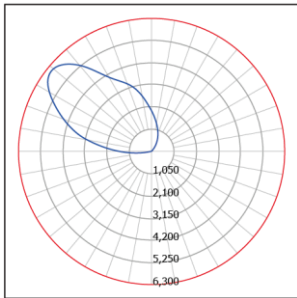
Not all product variations listed on this page are DLC qualified.

To ensure that a specific model is qualified, visit www.designlights.org/search.

REIZEN - Indoor

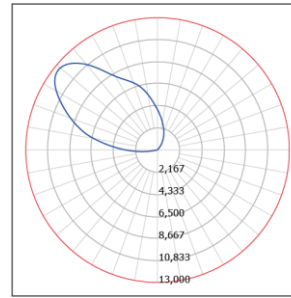


Photometric Summary



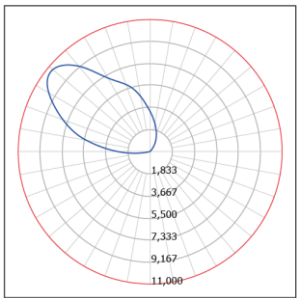
110L

Descriptive Information
 Total delivered lumens: 10,900 Lumens
 Input watts at 120V: 100 W
 Efficacy: 109 lm/w
 Source: LED
 CCT/CRI: 4000K/85CRI



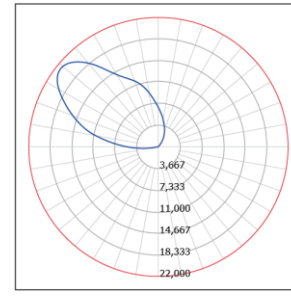
210L

Descriptive Information
 Total delivered lumens: 21,350 Lumens
 Input watts at 120V: 200 W
 Efficacy: 106.7 lm/w
 Source: LED
 CCT/CRI: 4000K/85CRI



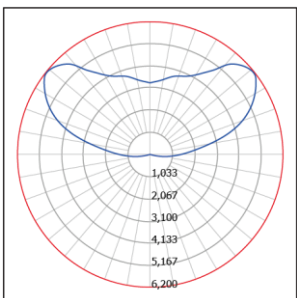
190L

Descriptive Information
 Total delivered lumens: 19,000 Lumens
 Input watts at 120V: 150 W
 Efficacy: 126.6 lm/w
 Source: LED
 CCT/CRI: 4000K/85CRI



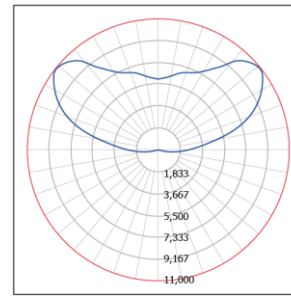
370L

Descriptive Information
 Total delivered lumens: 37,200 Lumens
 Input watts at 120V: 300 W
 Efficacy: 123.8 lm/w
 Source: LED
 CCT/CRI: 4000K/85CRI



210L - STEM

Descriptive Information
 Total delivered lumens: 21,350 Lumens
 Input watts at 120V: 200 W
 Efficacy: 106.7 lm/w
 Source: LED
 CCT/CRI: 4000K/85CRI



370L - STEM

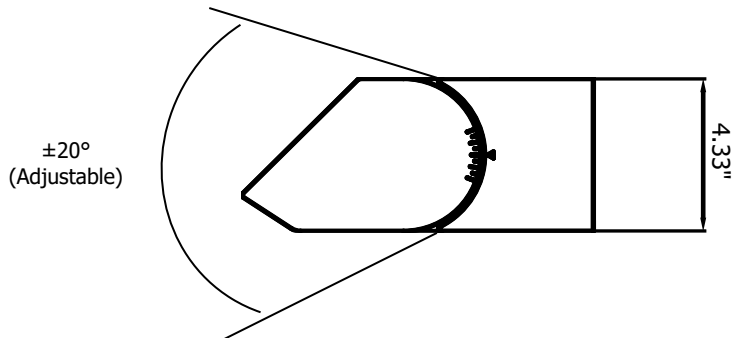
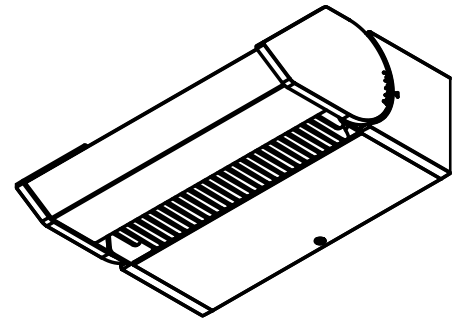
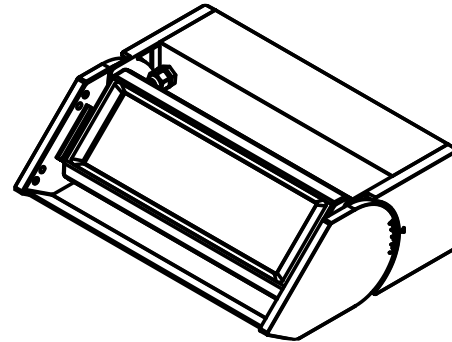
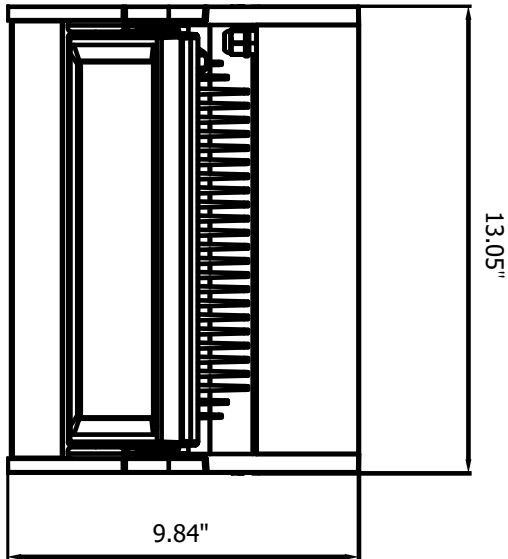
Descriptive Information
 Total delivered lumens: 37,200 Lumens
 Input watts at 120V: 300 W
 Efficacy: 123.6 lm/w
 Source: LED
 CCT/CRI: 4000K/85CRI

REIZEN - Indoor



Dimensions

110L & 190L / Wall Mount

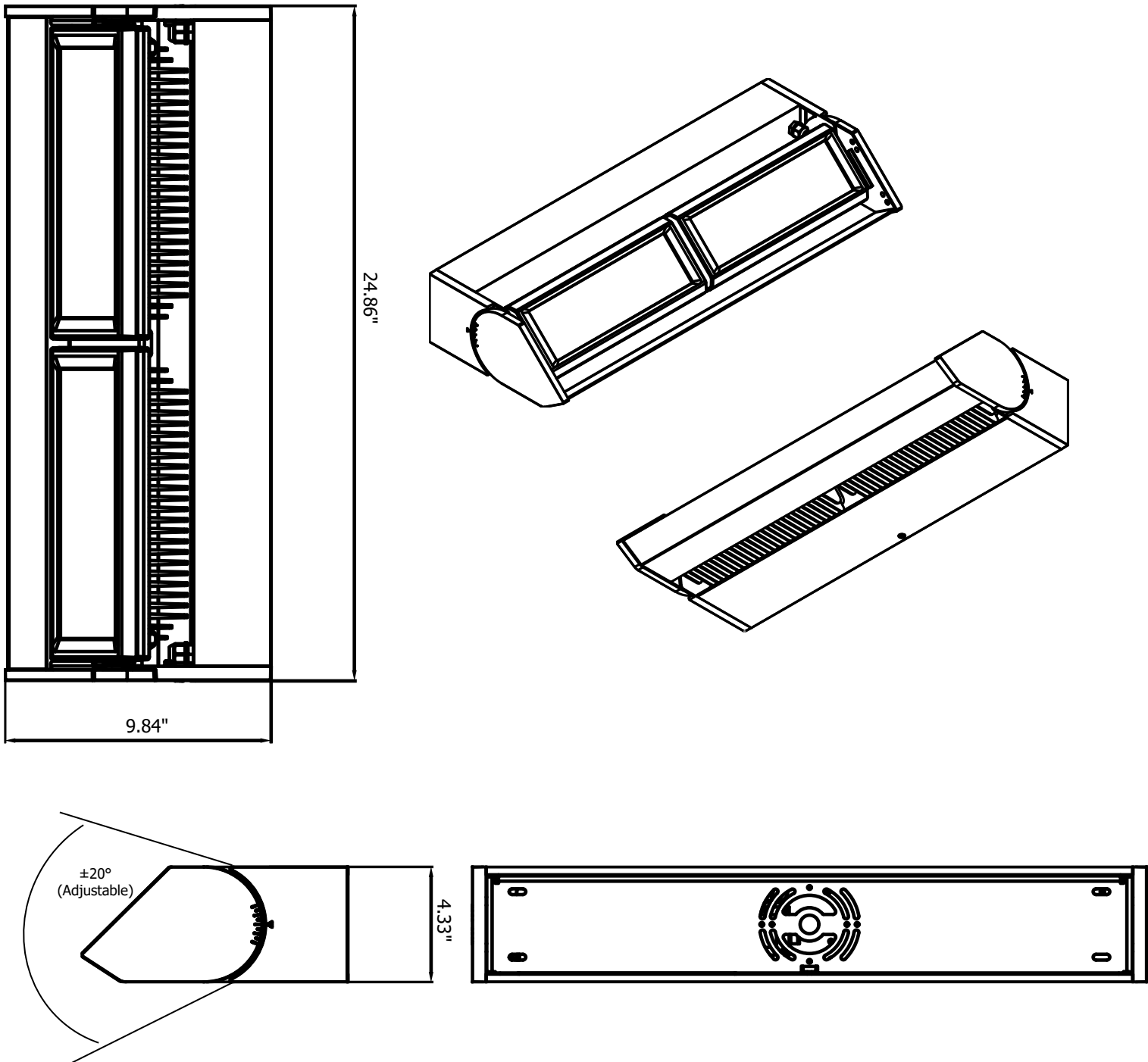


REIZEN - Indoor



Dimensions

210L & 370L / Wall Mount

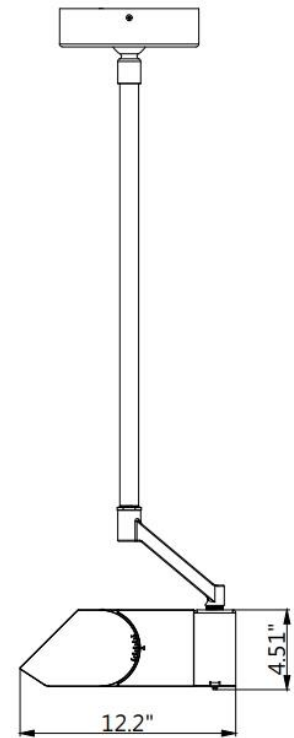
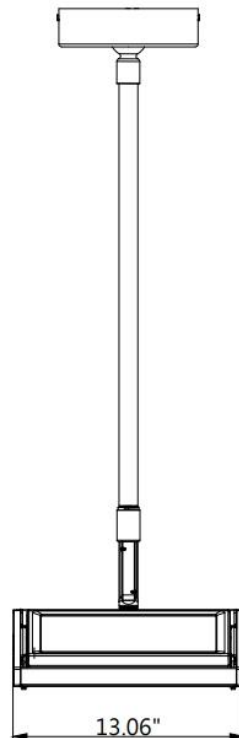
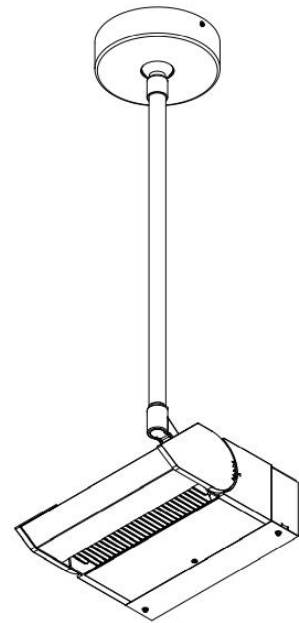
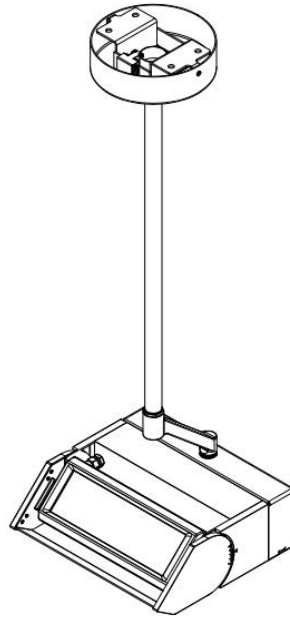
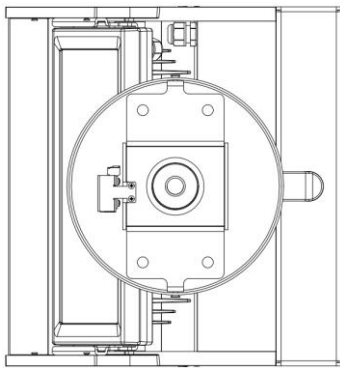


REIZEN - Indoor



Dimensions

110L & 190L Stem Mount

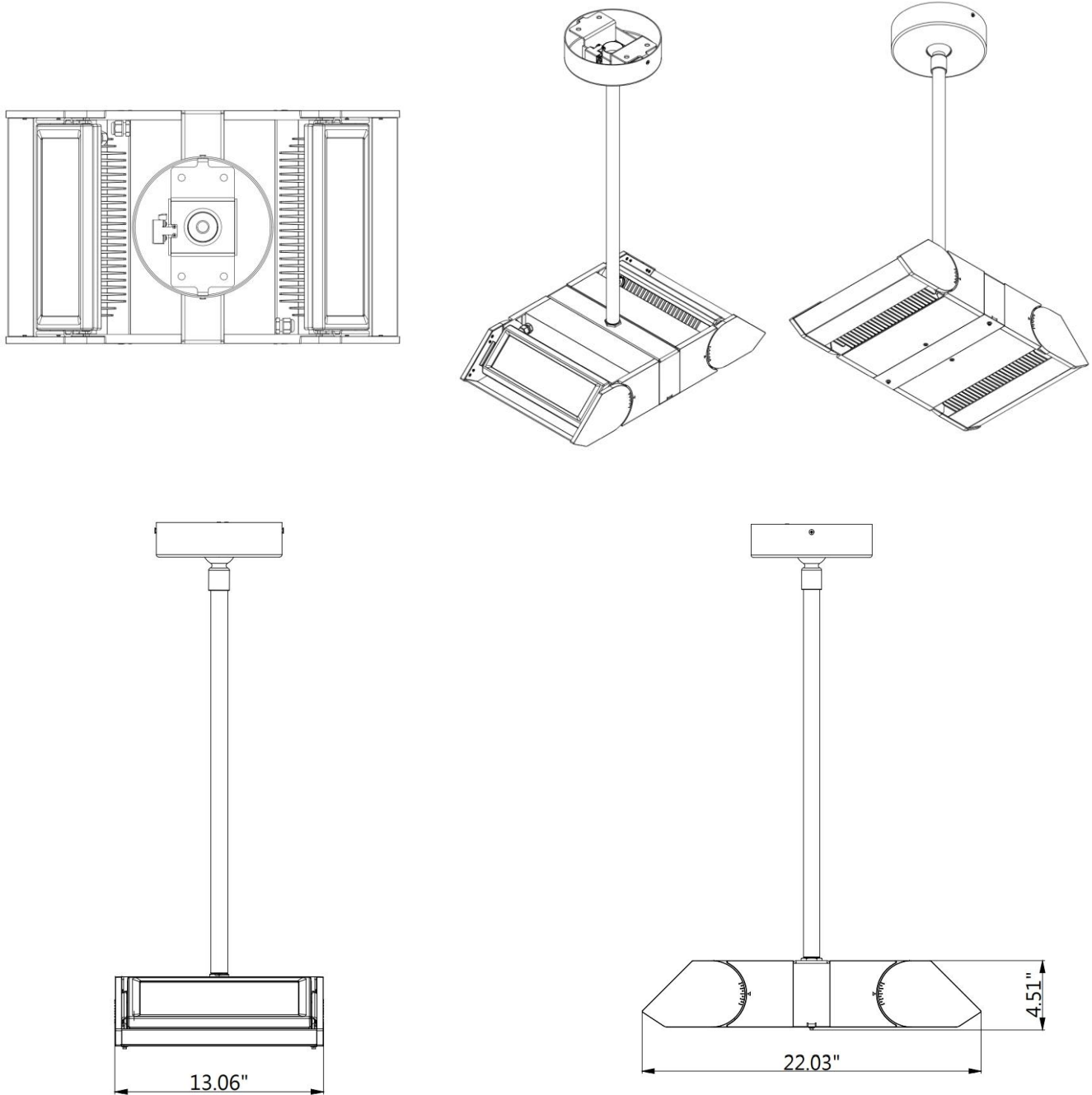


REIZEN - Indoor



Dimensions

210L & 370L Stem Mount

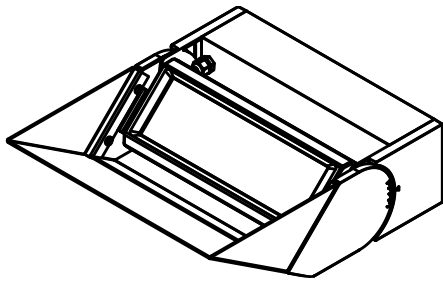


REIZEN - Indoor

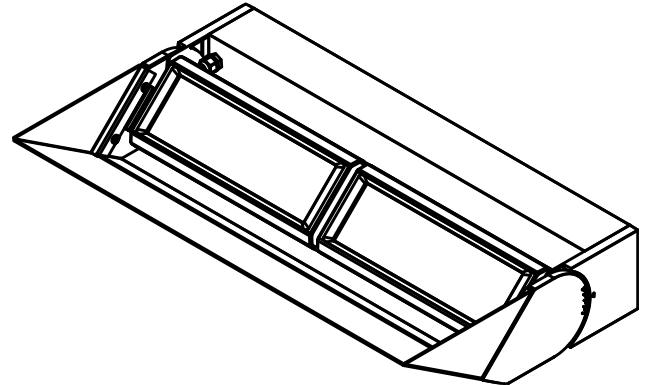


Accessory Glare Shield Visor

110L & 190L



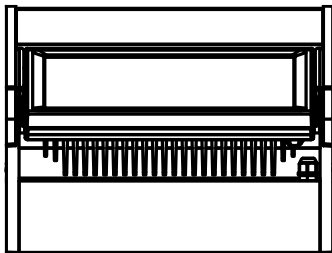
210L & 370L



13.05"



4.93"



24.86"



4.93"

