

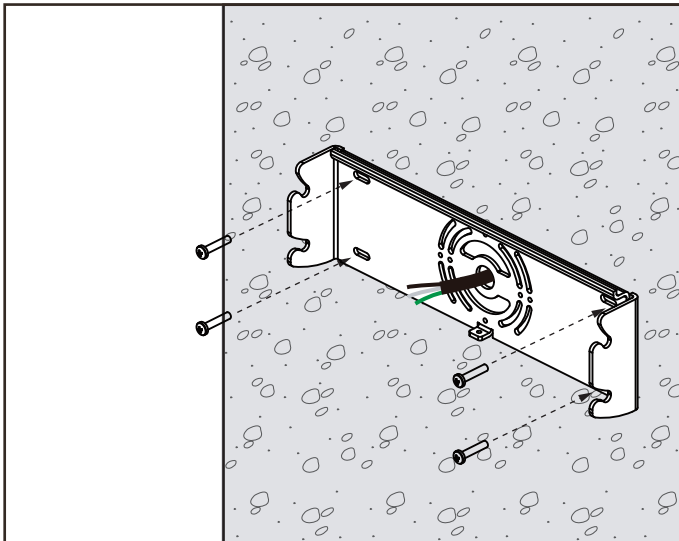
ADVANCED HIGH CEILING Reizen - Wall Mount



IMPORTANT SAFETY INFORMATION. READ AND FOLLOW ALL SAFETY INSTRUCTIONS

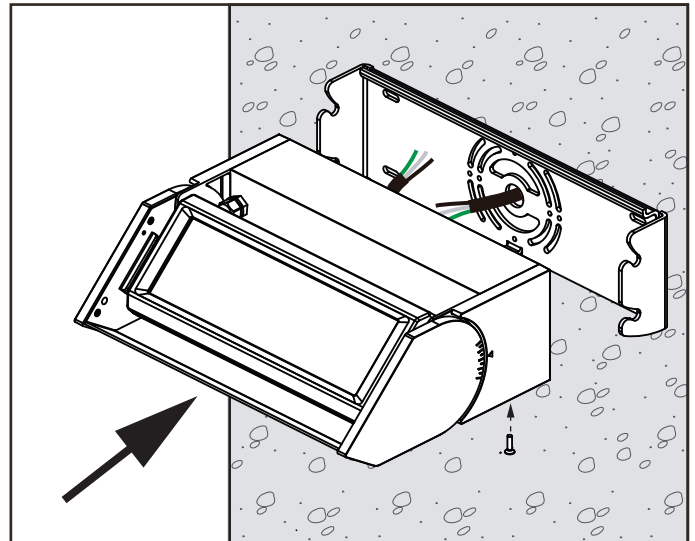
IMPORTANT SAFETY INFORMATION. READ AND FOLLOW ALL SAFETY INSTRUCTIONS. Before wiring to power supply and during servicing or relamping, turn off power at fuse or circuit breaker. All servicing or relamping must be performed by qualified service personnel. Product must be grounded to avoid potential electric shock or other potential hazard. Product must be at locations and at heights and in a manner consistent with its intended use, and in compliance with Electrical Code and local codes.

SAVE THESE INSTRUCTIONS FOR FUTURE REFERENCE.



Step 1

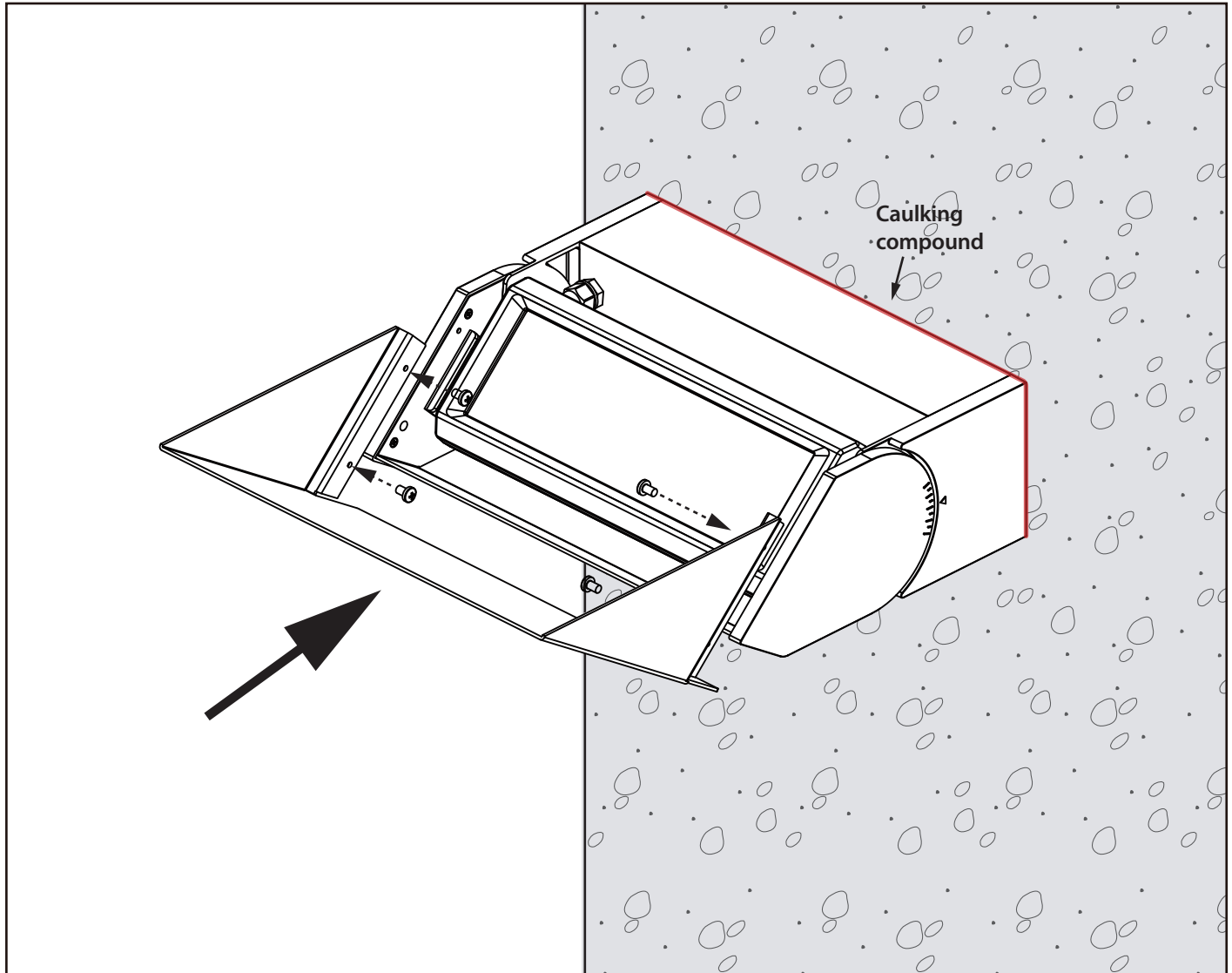
Thread wires through mounting plate and attach directly to wall. Use expansion screws (not provided) if mounting on concrete.



Step 2

Hoist luminaire to the bracket and fasten from underneath.

ADVANCED HIGH CEILING Reizen - Wall Mount



Step 3

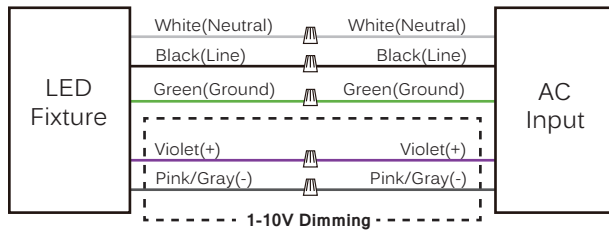
Apply caulk compound on the perimeter of luminaire if installed in an outdoor or natatorium setting. Install visor in front of lighthouse if specified.

ADVANCED HIGH CEILING Reizen - Wall Mount



Wiring Diagram

STV & SPV | 1 -10V Dimming down to 10% & 1%



DMX

