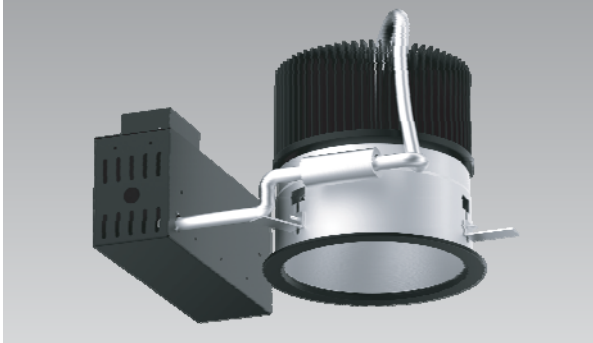


REV8 Prime - Retrofit



8-inch aperture high lumen recessed downlight with lumen output 18972 - 24867lm for new and retrofit applications.

- **Tunable White**
(Please refer to **Tunable White Version spec sheet**)
- **Warm Dim**
(Please refer to **Warm Dim Version spec sheet**)
- **W+RGB**
(Please refer to **W+RGB Version spec sheet**)

Quantity		Type	
Project		Note	

Electrical System

- 21204 lm (185W)
- 24867 lm (225W)
- Power Input: 120V or 277V
- Operating Temperature: -40°F~112°F
- Surge Protection: 4KV

LED Technology

- 2700K, 3000K, 3500K, 4000K
- 85 CRI
- Beam Angle: 30°, 45°, 55°, 100° (with diffuser)
- Rated Life > 60,000 hours (L70)

Advanced Dimming

- (Proprietary VX Driver is incorporated to all dimming options for video flicker-free lighting)
- **Superior 0-10V** : dims to 1%
 - **DMX** : high resolution dims to 0.1%
(Supports ANSI E1.20 RDM protocol)

- **185W only**
- **LTE: Hi-Lume 1% 2-wire LED Driver (120V forward phase only)**
- **LDE1: Hi-Lume 1% EcoSystem LED Driver with Soft-on, Fade-to-Black (UNV only)**

Retrofit

- Non-IC Rated, insulation must be kept >1ft from housing.
- Aperture: 8.1" (207mm)
- Opening of Mounting Frame: 8.03" (204mm) to 9.0" (228mm) Max
- Oversize Trim: 9.13" (232mm)
- Maximum ceiling thickness: 1.5" (38mm)
- Tool-less top access allows service from above.
- Light engine, optics, and driver(s) accessible from below ceiling
- Weight: 16.13lbs
- Goof Ring 14": Aluminum, standard white finish; O. D. 16"; other size and finish available, please inquire

Warranty

- 5 years limited warranty.

Listing

- ETL Damp Location Listed
- FCC



REV8 Prime - Retrofit



How To Specify:

Ordering Example: R8PR-185-278-120-DMX-WD-WHT 4-5

weeks lead time on over 75% of specifications.

Model	Wattage	CCT / CRI	Voltage	Dimming
R8PR			UNV	
R8PR	185 185W	278 2700K / CRI85	120 120V	NOD Non-Dimming
REV 8 inch Prime	225 225W	308 3000K / CRI85	277 277V	SPV Superior 0-10V dims to 1%
Retrofit		358 3500K / CRI85		DMX DMX dims to 0.1% (XLR Sockets)
		408 4000K / CRI85		DMX(RJ45) DMX dims to 0.1% (RJ45 Sockets)
				LTE¹ Hi-Lume 1% 2-wire LED Driver (120V forward phase only)
				LDE1¹ Hi-Lume 1% EcoSystem LED Driver with Soft-on, Fade-to-Black (UNV only)
¹ Option is ONLY compatible to 185W				

Beam Angle	Finish	Accessories
30 30°	BLK Black	DF¹ Diffuser
45 45°	WHT White	SPD² Surge Protector
55 55°		GR12² Goof Ring 9.2" to 14"
WD¹ 100° (with diffuser)		GR14³ Goof Ring 9.2" to 16"
¹ Please factor in change in lumen output with diffuser (-20% with WD; -12% with other degrees).		¹ Please factor in change in lumen output with di_user (-20% with WD; -12% with other degrees).
		² Surge protector for up to 10KV. Applicable for unstable mains or facilities using high power machineries.
		³ Includes New Reflector.

REV8 Prime - Retrofit



Delivered Lumens*

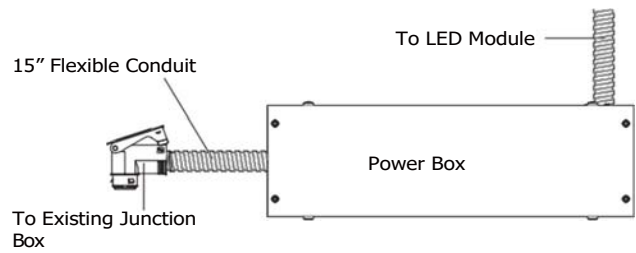
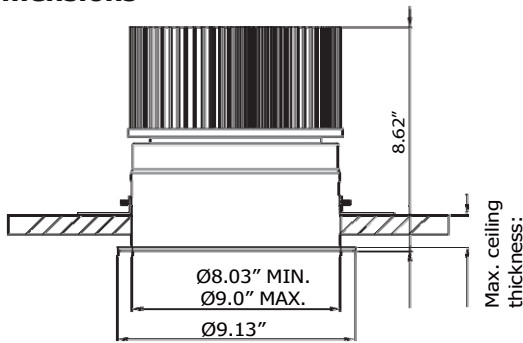
Wattage	185W	225W
CCT	Beam Angle: 30°	
4000K	21204 lm	24867 lm
3500K	20646 lm	24212 lm
3000K	20088 lm	23558 lm
2700K	18972 lm	22249 lm

*Tolerance±8%

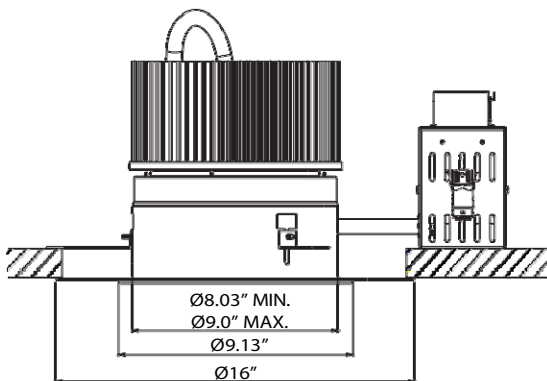
Current Consumption

Wattage	120V	277V
185W	1.65A	0.71A
225W	2.02A	0.87A

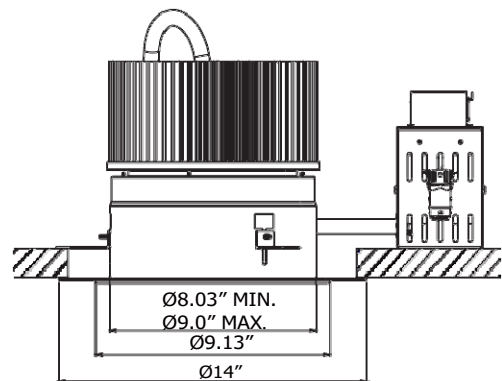
Dimensions



Goof Ring



GR14



GR12

REV 8 Prime - Retrofit



DMX Requirements

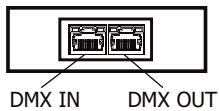
The 8" REV LED fixture with DMX is a ONE CHANNEL DMX unit.

When placing order, please indicate DMX address. (The DMX address will be listed on the back of the fixture.)

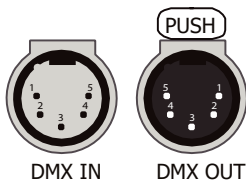
The LED fixture provide RJ45 Socket or XLR socket to connect. (DMX cable NOT included.)

The final fixture should be terminated by the use of DMX Terminator (by others).

RJ45 Sockets



XLR Sockets



CONNECTION	RJ45 (CAT5e)	5-PIN XLR
Common	WHITE/BROWN(PIN7) & BROWN(PIN 8)	PIN 1
Signal -	ORANGE(PIN 2)	PIN 2
Signal +	WHITE/ORANGE(PIN 1)	PIN 3
Spare	-	PIN 4
Spare	-	PIN 5

Compatible LTE Dimmer List

LUTRON PART NO

RRD-6NA-	RRT-G5NEW-	RRT-GH	HQRD-10ND-	HQRT-GH	HQRD-HN	PD-10NXD-
RRD-6ND	RRT-G25LW-	HQRD-6NA-	MRF2-6ND-120-	HQRT-G25LW-	GT-250M-	PD-5NE-
RRD-10ND-	RRD-HN	HQRD-6ND-	MRF2S-6ND-120-	HQRT-G5NEW-	GTJ-250M-	