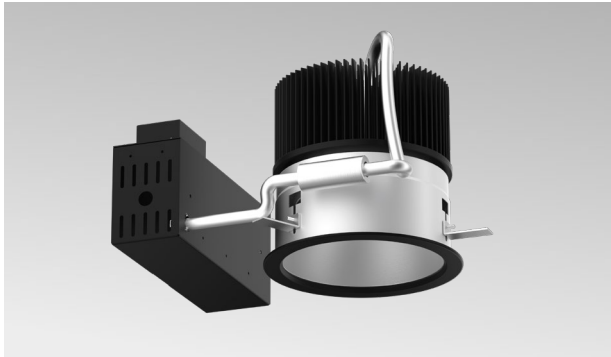


ADVANCED HIGH CEILING

REV 8 Prime - Retrofit

Warm Dim (ColorFlip™)



8-inch aperture high lumen recessed downlight utilizing Meteor Lighting's proprietary ColorFlip™ Warm Dim solution, that results in superior efficacy and heat management. This product is compatible with all existing 0-10V and DMX control systems. Bringing ambient lighting to your spaces.



Quantity		Type	
Project		Note	

Delivered

Warm Dim	1900K						3000K
DMX CCT Signal (%)	7%	20%	40%	60%	80%	100%	
0-10V CCT Voltage	0.7	2	4	6	8	10	
225W	402 lm	1809 lm	5427 lm	10251 lm	15477 lm	20100 lm	
185W	330 lm	1485 lm	4455 lm	8415 lm	12705 lm	16500 lm	

*Tolerance±8%

Electrical System

- 185W, 225W
- Power Input: 120V or 277V
- Operating Temperature: -13°F~112°F
- Surge Protection: 4KV
- Remote Emergency Pack: Bodine BSL20LV
- Power Factor Greater than 0.9

LED Technology

- Warm Dim™ (Tuning White: 1900K ↔ 3000K)
- 85+ CRI
- Beam Angle: 45°, 55°, 100° (with diffuser)
- Rated Life > 60,000 Hours (L70)

Advanced Dimming

(Proprietary VX Driver is incorporated to all dimming options for video flicker-free lighting)

- Superior 0-10V: dims to 1%
- DMX: high resolution dims to 0.1% (2 channel)
- (Supports ANSI E1.20 RDM protocol)

Retrofit

- Non-IC Rated, insulation must be kept >1ft from housing.
- Aperture: 8.1" (207mm)
- Opening of Mounting Frame: 8.03" (204mm) to 9.0" (228mm) Max
- Oversize Trim: 9.13" (232mm)
- Maximum ceiling thickness: 1.5" (38mm)
- Tool-less top access allows service from above and below.
- Light engine, optics, and driver(s) accessible from below ceiling
- Weight: 16.13lbs
- Goof Ring 14": Aluminum, standard white finish; O.D. 16"; other size and finish

Warranty

- 5 year limited warranty

Listing

- ETL Damp Location Listed
- FCC
- CE



ADVANCED HIGH CEILING

REV 8 Prime - Retrofit

Warm Dim (ColorFlip™)



How To Specify:

Ordering Example: R8PR-225-WDIM-120-DMX-55-WHT

4-5 weeks lead time on over 75% of specifications.

Model	Wattage	CCT / CRI	Voltage	Dimming
R8PN		WDIM	UNV	
R8PN	185 185W	WDIM 1900K - 3000K	120 120V	SPV Superior 0-10V dims to 1%
REV 8 inch Prime Retrofit	225 225W		277 277V	DMX DMX dims to 0.1% (XLR Sockets) DMX(RJ45) DMX dims to 0.1% (RJ45 Sockets)

Beam Angle	Finish	Accessories
45 45°	BLK Black	DF¹ Diffuser
55 55°	WHT White	SPD² Surge Protector
WD¹ 100° (with diffuser)		GR12³ Goof Ring 9.2" to 14" GR14³ Goof Ring 9.2" to 16"
¹ Please factor in change in lumen output with diffuser (-20% with WD; -12% with other degrees).		¹ Please factor in change in lumen output with diffuser (-20% with WD; -12% with other degrees). ² Surge protector for up to 10KV. Applicable for unstable mains or facilities using high power machineries. ³ Includes New Reflector

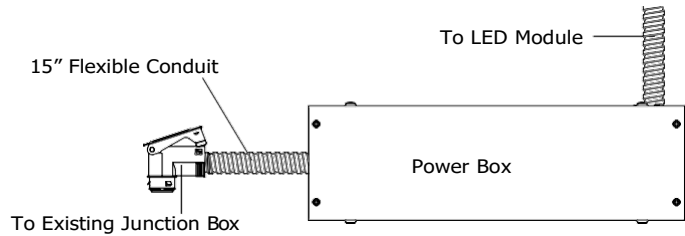
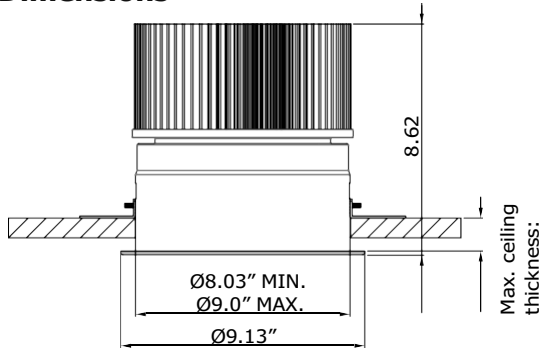
ADVANCED HIGH CEILING

REV 8 Prime - Retrofit

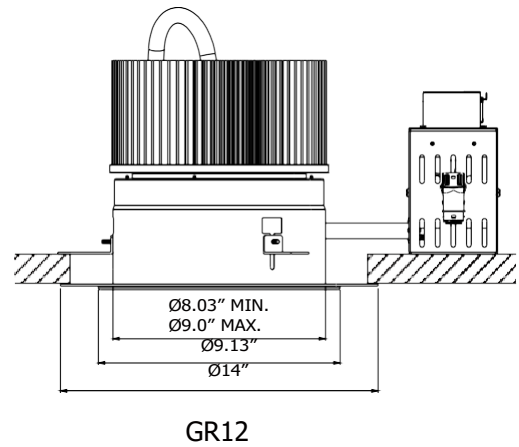
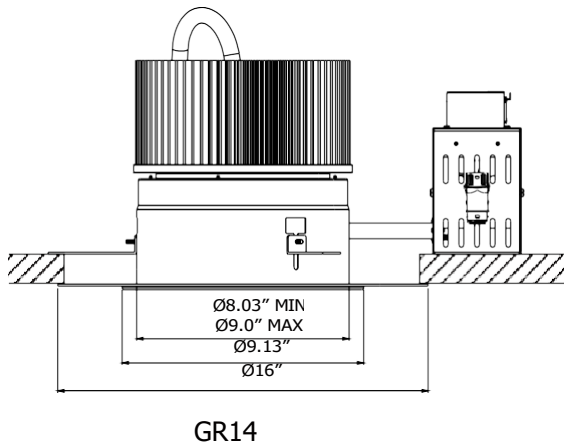
Warm Dim (ColorFlip™)



Dimensions



Goof Ring



DMX Requirements

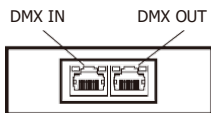
The 8" REV LED fixture with DMX is a ONE CHANNEL DMX unit.

When placing order, please indicate DMX address. (The DMX address will be listed on the back of the fixture.)

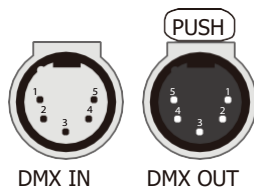
The LED fixture provide RJ45 Socket or XLR socket to connect. (DMX cable NOT included.)

The final fixture should be terminated by the use of DMX Terminator (by others).

RJ45 Sockets



XLR Sockets



CONNECTION	RJ45 (CAT5e)	5-PIN XLR
Common	WHITE/BROWN(PIN7) & BROWN(PIN 8)	PIN 1
Signal -	ORANGE(PIN 2)	PIN 2
Signal +	WHITE/ORANGE(PIN 1)	PIN 3
Spare	-	PIN 4
Spare	-	PIN 5