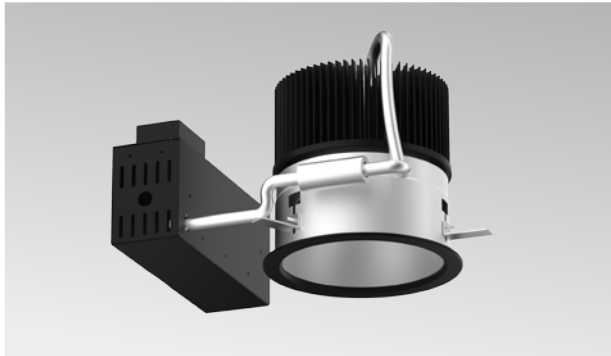


ADVANCED HIGH CEILING

# REV 8 Prime - Retrofit

## Warm Dim (ColorFlip™)



8-inch aperture high lumen recessed downlight utilizing Meteor Lighting's proprietary ColorFlip™ Warm Dim solution, that results in superior efficacy and heat management. This product is compatible with all existing 0-10V and DMX control systems. Bringing ambient lighting to your spaces.



Quantity		Type	
Project		Note	

### Delivered

Warm Dim	1900K						3000K
DMX CCT Signal (%)	7%	20%	40%	60%	80%	100%	
0-10V CCT Voltage	0.7	2	4	6	8	10	
225W	402 lm	1809 lm	5427 lm	10251 lm	15477 lm	20100 lm	
185W	330 lm	1485 lm	4455 lm	8415 lm	12705 lm	16500 lm	

\*Tolerance±8%

### Electrical System

- 185W, 225W
- Power Input: 120V or 277V
- Operating Temperature: -13°F~112°F
- Surge Protection: 4KV
- Remote Emergency Pack: Bodine BSL20LV
- Power Factor Greater than 0.9

### LED Technology

- Warm Dim™ (Tuning White: 1900K ↔ 3000K)
- 85+ CRI
- Beam Angle: 45°, 55°, 100° (with diffuser)
- Rated Life > 60,000 Hours (L70)

### Advanced Dimming

- (Proprietary VX Driver is incorporated to all dimming options for video flicker-free lighting)
- Superior 0-10V: dims to 1%
  - DMX: high resolution dims to 0.1% (2 channel)
  - (Supports ANSI E1.20 RDM protocol)

### Retrofit

- Non-IC Rated, insulation must be kept >1ft from housing.
- Aperture: 8.1" (207mm)
- Opening of Mounting Frame: 8.03" (204mm) to 9.0" (228mm) Max
- Oversize Trim: 9.13" (232mm)
- Maximum ceiling thickness: 1.5" (38mm)
- Tool-less top access allows service from above.
- Light engine, optics, and driver(s) accessible from below ceiling
- Weight: 16.13lbs
- Goof Ring 14": Aluminum, standard white finish; O.D. 16"; other size and finish

### Warranty

- 5 year limited warranty

### Listing

- ETL Damp Location Listed
- FCC
- CE



ADVANCED HIGH CEILING

# REV 8 Prime - Retrofit

## Warm Dim (ColorFlip™)



### How To Specify:

Ordering Example: R8PR-225-WDIM-120-DMX-55-WHT

4-5 weeks lead time on over 75% of specifications.

Model	Wattage	CCT / CRI	Voltage	Dimming
R8PR		WDIM		
R8PR REV 8 inch Prime Retrofit	185 185W 225 225W	WDIM 1900K - 3000K	120 120V 277 277V	SPV Superior 0-10V dims to 1% DMX DMX dims to 0.1% (XLR Sockets) DMX(RJ45) DMX dims to 0.1% (RJ45 Sockets)

Beam Angle	Finish	Accessories
45 45° 55 55° WD <sup>1</sup> 100° (with diffuser)	BLK Black WHT White	DF <sup>1</sup> Diffuser SPD <sup>2</sup> Surge Protector GR12 <sup>3</sup> Goof Ring 9.2" to 14" GR14 <sup>3</sup> Goof Ring 9.2" to 16"
<sup>1</sup> Please factor in change in lumen output with diffuser (-20% with WD; -12% with other degrees).		<sup>1</sup> Please factor in change in lumen output with diffuser (-20% with WD; -12% with other degrees). <sup>2</sup> Surge protector for up to 10KV. Applicable for unstable mains or facilities using high power machineries. <sup>3</sup> Includes New Reflector.

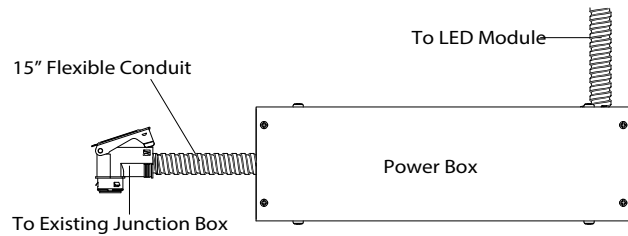
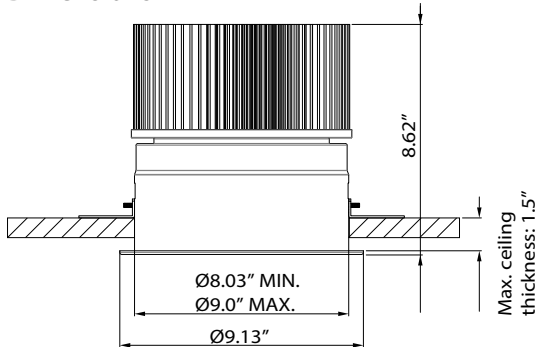
ADVANCED HIGH CEILING

# REV 8 Prime - Retrofit

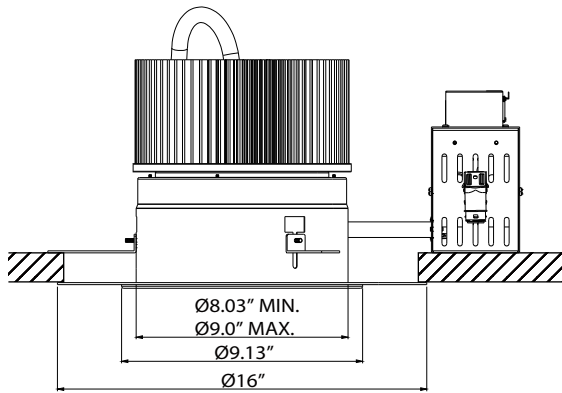
## Warm Dim (ColorFlip™)



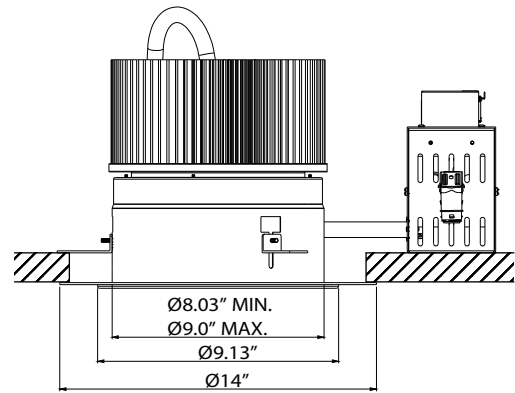
### Dimensions



### Goof Ring



GR14



GR12

### DMX Requirements

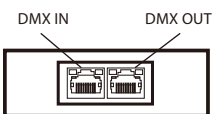
The 8" REV LED fixture with DMX is a ONE CHANNEL DMX unit.

When placing order, please indicate DMX address. (The DMX address will be listed on the back of the fixture.)

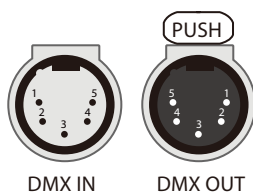
The LED fixture provide RJ45 Socket or XLR socket to connect. (DMX cable NOT included.)

The final fixture should be terminated by the use of DMX Terminator (by others).

#### RJ45 Sockets



#### XLR Sockets



CONNECTION	RJ45 (CAT5e)	5-PIN XLR
Common	WHITE/BROWN(PIN7) & BROWN(PIN 8)	PIN 1
Signal -	ORANGE(PIN 2)	PIN 2
Signal +	WHITE/ORANGE(PIN 1)	PIN 3
Spare	-	PIN 4
Spare	-	PIN 5