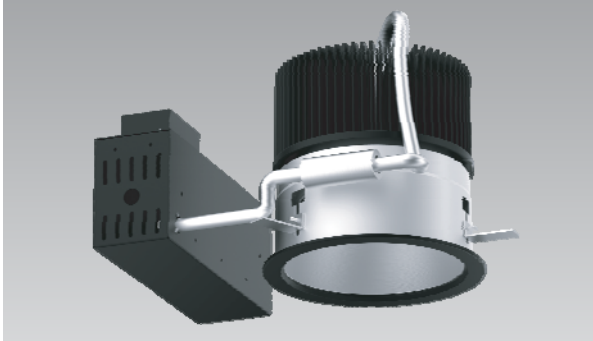


ADVANCED HIGH CEILING

REV 8 Prime – Retrofit W+RGB (ColorFlip™)



8-inch aperture high lumen recessed downlight utilizing Meteor Lighting's proprietary ColorFlip™ W + RGB solution, that gives you True White light and unlimited RGB possibilities. This product is compatible with all DMX control systems and follows ANSI E1.20 RDM protocol. You can now get white and RGB colors all from a single light source



Quantity	Type
Project	Note

Electrical System

- 200W / TypeA, 200W / TypeB
- Power Input: 120V or 277V
- Operating Temperature: -40°F~112°F
- Surge Protection: 4KV
- Power Factor Greater than 0.9

LED Technology

- White: CCT 3000K
- 85 CRI
- Beam Angle: 45°, 55°, 100°
- Rated Life > 60,000 hours (L70)

Advanced Dimming

- (Proprietary VX Driver is incorporated to all dimming options for video flicker-free lighting)
- **DMX** : high resolution dims to 0.1%
- (Supports ANSI E1.20 RDM protocol)

Retrofit

- Non-IC Rated, insulation must be kept >1ft from housing.
- Aperture: 8.1" (207mm)
- Opening of Mounting Frame: 8.03" (204mm) to 9.0" (228mm) Max
- Oversize Trim: 9.13" (232mm)
- Maximum ceiling thickness: 1.5" (38mm)
- Tool-less top access allows service from above.
- Light engine, optics, and driver(s) accessible from below ceiling
- Weight: 16.13lbs
- Goof Ring 14": Aluminum, standard white finish; O. D. 16"; other size and finish available, please inquire

Warranty

- 5 years limited warranty.

Listing

- ETL Damp Location Listed
- FCC



REV 8 Prime – Retrofit

W+RGB (ColorFlip™)



How To Specify:

Ordering Example: R8PR-200A-308C-120-DMX-55-BLK

Model	Wattage	CCT / CRI	Voltage	Dimming
R8PR	200A	308C		
R8PR REV 8 inch Prime Retrofit	200A 100W/100W 200B 150W/50W	308C 3000K / CRI85 +RGB	120 120V 277 277V	DMX DMX dims to 0.1% (XLR Sockets) DMX(RJ45) DMX dims to 0.1% (RJ45 Sockets)

Beam Angle	Finish	Accessories
45 45° 55 55° WD¹ 100° (with diffuser)	BLK Black WHT White	DF¹ Diffuser SPD² Surge Protector GR12³ Goof Ring 9.2" to 14" GR14⁴ Goof Ring 9.2" to 16"
¹ Please factor in change in lumen output with diffuser (-20% with WD; -12% with other degrees).		¹ Please factor in change in lumen output with diffuser (-20% with WD; -12% with other degrees). ² Surge protector for up to 10KV. Applicable for unstable mains or facilities using high power machineries. ³ Includes New Reflector.

REV8 Prime – Retrofit W+RGB (ColorFlip™)



Delivered Lumens*

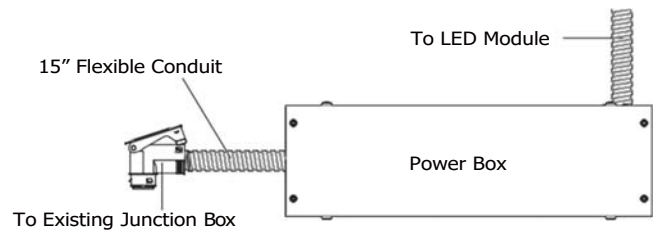
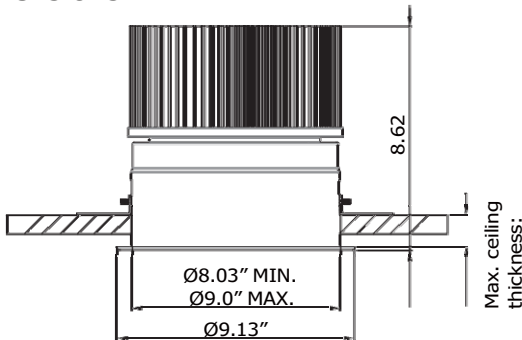
Wattage \ CCT	200W / TypeA		200W / TypeB	
	Beam Angle: 45°			
R	33 W	615 lm	17 W	220 lm
G	33 W	4076 lm	17 W	1702 lm
B	33 W	483 lm	17 W	209 lm
W	100 W	8079 lm	150 W	12015 lm

*Tolerance±8%

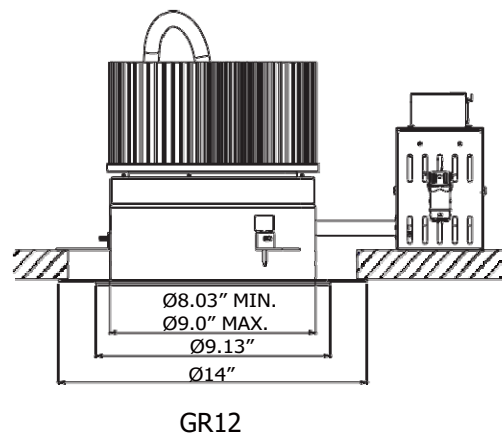
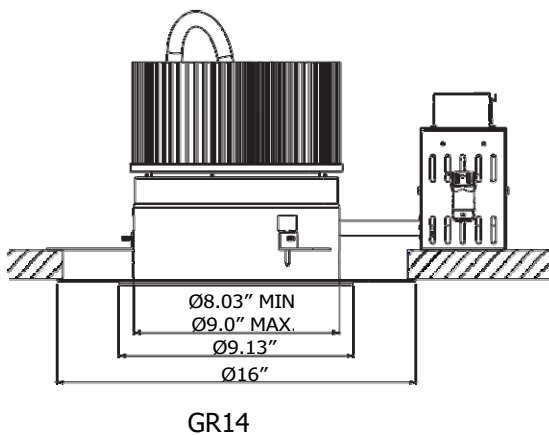
Current Consumption

Wattage \ Volt	120V	277V
	200W	1.8A

Dimensions



Goof Ring



REV8 Prime – Retrofit W+RGB (ColorFlip™)



DMX Requirements

The 8" REV LED fixture with DMX is a FOUR CHANNEL DMX unit.

When placing order, please indicate DMX address. (The DMX address will be listed on the back of the fixture.)

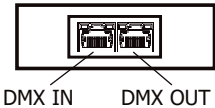
The LED fixture provide RJ45 Socket or XLR socket to connect. (DMX cable NOT included.)

The final fixture should be terminated by the use of DMX Terminator (by others).

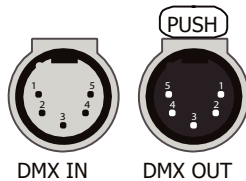
Fixture	DMX Address			
	Red Control (ex. X)	Green Control (ex. X+1)	Blue Control (ex. X+2)	White Control (ex. X+3)
#1	1	2	3	4
#2	5	6	7	8
#3	9	10	11	12

The LED fixture provide RJ45 Socket or XLR socket to connect. (DMX cable NOT included.) The final fixture should be terminated by the use of DMX Terminator (by others).

RJ45 Sockets



XLR Sockets



CONNECTION	RJ45 (CAT5e)	5-PIN XLR
Common	WHITE/BROWN(PIN7) & BROWN(PIN 8)	PIN 1
Signal -	ORANGE(PIN 2)	PIN 2
Signal +	WHITE/ORANGE(PIN 1)	PIN 3
Spare	-	PIN 4
Spare	-	PIN 5