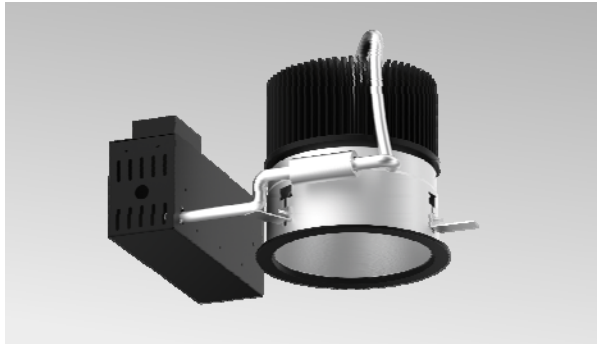


# REV 8 Prime - Retrofit Tunable White Version (ColorFlip™)



8-inch aperture high lumen recessed downlight utilizing Meteor Lighting's proprietary ColorFlip™ Tunable White solution, that results in superior efficacy and heat management. This product is compatible with all existing 0-10V and DMX control systems. Bringing human centric lighting to your spaces.



|          |  |      |  |
|----------|--|------|--|
| Quantity |  | Type |  |
| Project  |  | Note |  |

### Delivered Lumens\*

| ColorFlip™                   | 2700K     | 3000K     | 3500K     | 4000K     | 4500K     | 5000K     | 5700K     | 6500K     | *Lumen Multiplier<br>45°<br>baseline<br>55°<br>0.95 |
|------------------------------|-----------|-----------|-----------|-----------|-----------|-----------|-----------|-----------|---|
| <b>DMX</b><br>CCT Signal (%) | 0%        | 10%       | 25%       | 45%       | 60%       | 70%       | 85%       | 100%      |   |
| <b>0-10V</b><br>CCT Voltage  | 0         | 1         | 2.5       | 4.5       | 6         | 7         | 8.5       | 10        |   |
| 225W                         | 20075 lm  | 20832 lm  | 21110 lm  | 23332 lm  | 23284 lm  | 23091 lm  | 22454 lm  | 21323 lm  |   |
| 185W                         | 16424 lm  | 17059 lm  | 17318 lm  | 19174 lm  | 19154 lm  | 18958 lm  | 18396 lm  | 17505 lm  |   |
| <b>CRI</b>                   | <b>85</b> | <b>86</b> | <b>87</b> | <b>88</b> | <b>88</b> | <b>87</b> | <b>86</b> | <b>85</b> |   |

### Electrical System

- 185W, 225W
- Power Input: 120V or 277V
- Operating Temperature: -13°F~112°F
- Surge Protection: 4KV
- Remote Emergency Pack: Bodine BSL20LV
- Power Factor Greater than 0.9

### LED Technology

- ColorFlip™(Tuning White: 2700K ↔ 6500K)
- 85+ CRI
- Beam Angle: 45°, 55°, 100° (with diffuser)
- Rated Life > 60,000 Hours (L70)

### Advanced Dimming

- (Proprietary VX Driver is incorporated to all dimming options for video flicker-free lighting)
- Superior 0-10V: dims to 1% (2 channel)  
1 channel control dimming. 1 channel control CCT.
  - DMX: high resolution dims to 0.1% (2 channel)  
(Supports ANSI E1.20 RDM protocol)

### Retrofit

- Non-IC Rated, insulation must be kept >1ft from housing.
- Aperture: 8.1" (207mm)
- Opening of Mounting Frame: 8.03" (204mm) to 9.0" (228mm) Max
- Oversize Trim: 9.13" (232mm)
- Maximum ceiling thickness: 1.5" (38mm)
- Tool-less top access allows service from above.
- Light engine, optics, and driver(s) accessible from below ceiling
- Weight: 16.13lbs
- Goof Ring 14": Aluminum, standard white finish; O.D. 16"; other size and finish

### Warranty

- 5 year limited warranty

### Listing

- ETL Damp Location Listed
- FCC
- CE



# REV 8 Prime - Retrofit

## Tunable White Version (ColorFlip™)



### How to Specify:

**Ordering Example: R8PR-225-TNW-120-DMX-55-WHT**

**4-5 weeks lead time on over 75% of specifications.**

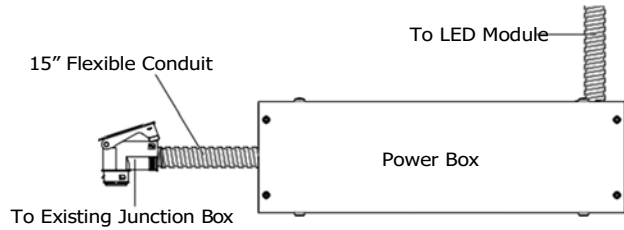
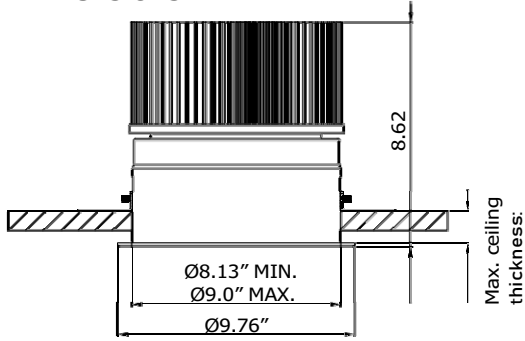
| Model            | Wattage         | CCT / CRI                | Voltage         | Dimming  |
|------------------|-----------------|--------------------------|-----------------|--|
| R8PR             |                 |                          | UNV             |  |
| R8PR             | <b>185</b> 185W | <b>TNW</b> 2700K - 6500K | <b>120</b> 120V | <b>SPV</b> Superior 0-10V dims to 1%             |
| REV 8 inch Prime | <b>225</b> 225W |                          | <b>277</b> 277V | <b>DMX</b> DMX dims to 0.1% (XLR Sockets)        |
| Retrofit         |                 |                          |                 | <b>DMX(RJ45)</b> DMX dims to 0.1% (RJ45 Sockets) |

| Beam Angle   | Finish           | Accessories  |
|--|------------------|--|
| <b>45</b> 45°  | <b>BLK</b> Black | <b>DF</b> <sup>1</sup> Diffuser  |
| <b>55</b> 55°  | <b>WHT</b> White | <b>SPD</b> <sup>2</sup> Surge Protector  |
| <b>WD</b> <sup>1</sup> 100° (with diffuser)  |                  | <b>GR12</b> <sup>3</sup> Goof Ring 9.2" to 14"   |
|  |                  | <b>GR14</b> <sup>3</sup> Goof Ring 9.2" to 16"   |
| <sup>1</sup> Please factor in change in lumen output with diffuser (-20% with WD; -12% with other degrees) |                  | <sup>1</sup> Please factor in change in lumen output with diffuser (-20% with WD; -12% with other degrees).            |
|  |                  | <sup>2</sup> Surge protector for up to 10KV. Applicable for unstable mains or facilities using high power machineries. |
|  |                  | <sup>3</sup> Includes New Reflector.   |

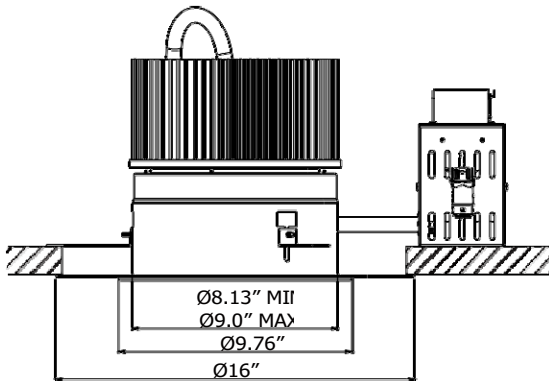
# REV 8 Prime - Retrofit Tunable White Version (ColorFlip™)



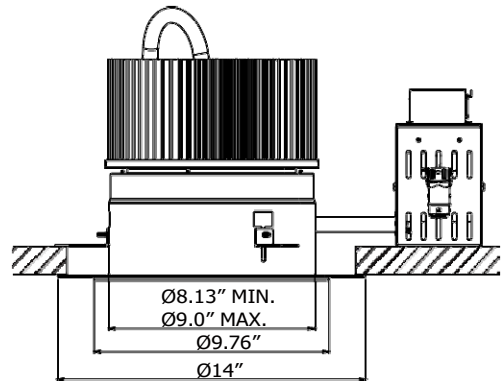
## Dimensions



## Goof Ring



GR14



GR12

# REV 8 Prime - Retrofit Tunable White Version (ColorFlip™)



## DMX Requirements\*

The 8" REV LED fixture with DMX unit has TWO CHANNELS per fixture (1 to control intensity, 1 to control color). Fixture will be controlled by DMX number controlling intensity We do not recommend more than 32 fixtures per DMX daisy chain. When placing order, please indicate DMX address (refer to DMX Address example below).

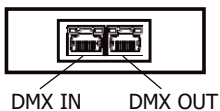
DMX address will be listed on the back of each fixture.

| Fixture | DMX Address               |                         |
|---------|---------------------------|-------------------------|
|         | Intensity Control (ex. X) | Color Control (ex. X+1) |
| #1      | 1                         | 2                       |
| #2      | 3                         | 4                       |
| #3      | 5                         | 6                       |

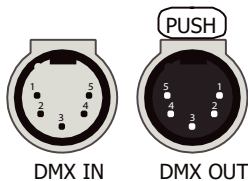
The LED fixture provide RJ45 Socket or XLR socket to connect. (DMX cable NOT included.)

The final fixture should be terminated by the use of DMX Terminator (by others).

### RJ45 Sockets

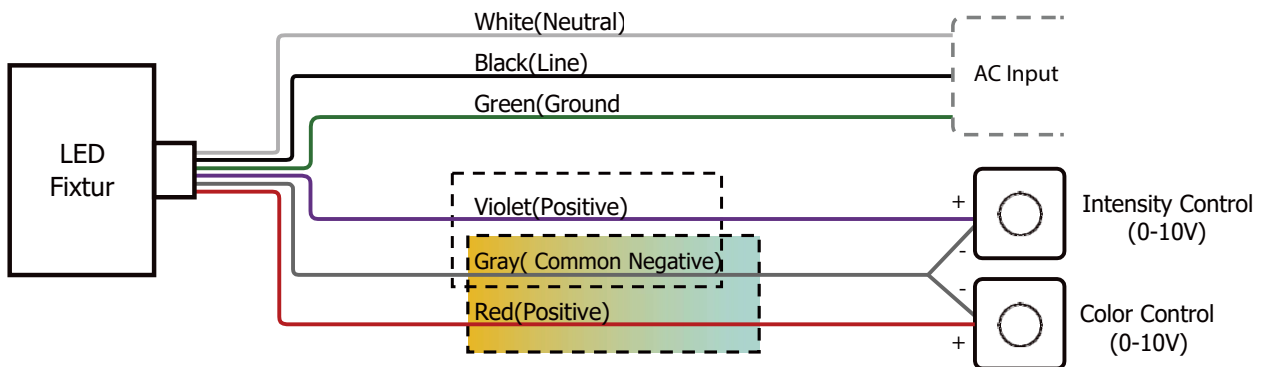


### XLR Sockets



| CONNECTION | RJ45 (CAT5e)                     | 5-PIN XLR |
|------------|----------------------------------|-----------|
| Common     | WHITE/BROWN(PIN7) & BROWN(PIN 8) | PIN 1     |
| Signal -   | ORANGE(PIN 2)                    | PIN 2     |
| Signal +   | WHITE/ORANGE(PIN 1)              | PIN 3     |
| Spare      | -                                | PIN 4     |
| Spare      | -                                | PIN 5     |

## Superior 0-10V Wiring Diagram



## DMX Wiring Diagram

