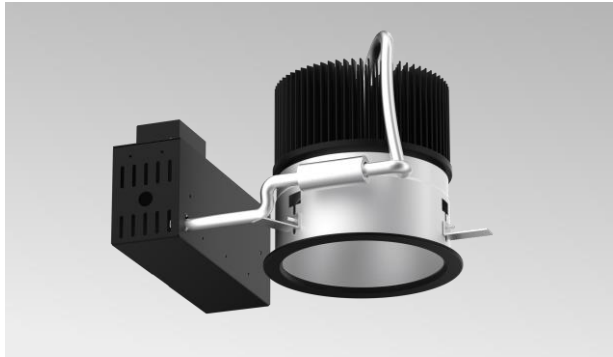


ADVANCED HIGH CEILING

REV 8 Prime - Retrofit Tunable White Version (ColorFlip™)



8-inch aperture high lumen recessed downlight utilizing Meteor Lighting's proprietary ColorFlip™ Tunable White solution, that results in superior efficacy and heat management. This product is compatible with all existing 0-10V and DMX control systems. Bringing human centric lighting to your spaces.



Quantity		Type	
Project		Note	

Delivered Lumens*

ColorFlip™	2700K	3000K	3500K	4000K	4500K	5000K	5700K	6500K	*Lumen Multiplier 45° <u>baseline</u> 55° <u>0.95</u>
DMX CCT Signal (%)	0%	10%	25%	45%	60%	70%	85%	100%	
0-10V CCT Voltage	0	1	2.5	4.5	6	7	8.5	10	
225W	20075 lm	20832 lm	21110 lm	23332 lm	23284 lm	23091 lm	22454 lm	21323 lm	
185W	16424 lm	17059 lm	17318 lm	19174 lm	19154 lm	18958 lm	18396 lm	17505 lm	
CRI	85	86	87	88	88	87	86	85	

Electrical System

- 185W, 225W
- Power Input: 120V or 277V
- Operating Temperature: -13°F~112°F
- Surge Protection: 4KV
- Remote Emergency Pack: Bodine BSL20LV
- Power Factor Greater than 0.9

LED Technology

- ColorFlip™ (Tunable White: 2700K ↔ 6500K)
- 85+ CRI
- Beam Angle: 45°, 55°, 100° (with diffuser)
- Rated Life > 60,000 Hours (L70)

Advanced Dimming

- (Proprietary VX Driver is incorporated to all dimming options for video flicker-free lighting)
- Superior 0-10V: dims to 1% (2 channel)
1 channel control dimming. 1 channel control CCT.
 - DMX: high resolution dims to 0.1% (2 channel)
(Supports ANSI E1.20 RDM protocol)

Retrofit

- Non-IC Rated, insulation must be kept >1ft from housing.
- Aperture: 8.1" (207mm)
- Opening of Mounting Frame: 8.03" (204mm) to 9.0" (228mm) Max
- Oversize Trim: 9.13" (232mm)
- Maximum ceiling thickness: 1.5" (38mm)
- Tool-less top access allows service from above and below.
- Light engine, optics, and driver(s) accessible from below ceiling
- Weight: 16.13lbs
- Goof Ring 14": Aluminum, standard white finish; O.D. 16"; other size and finish

Warranty

- 5 year limited warranty

Listing

- ETL Damp Location Listed
- FCC
- CE



REV 8 Prime - Retrofit

Tunable White Version (ColorFlip™)



How to Specify:

Ordering Example: R8PR-225-TNW-120-DMX-55-WHT

4-5 weeks lead time on over 75% of specifications.

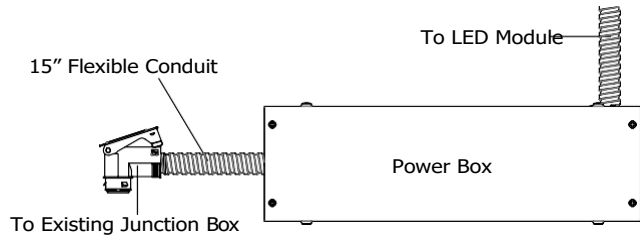
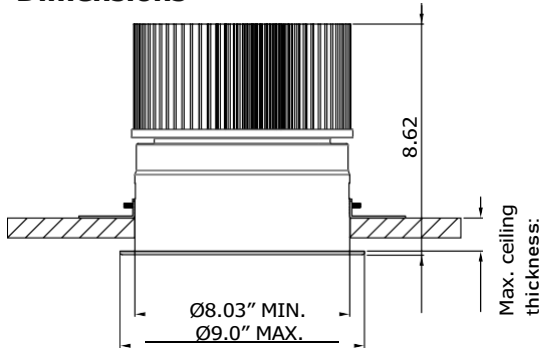
Model	Wattage	CCT / CRI	Voltage	Dimming
R8PR				
R8PR	185 185W	TNW 2700K - 6500K	120 120V	SPV Superior 0-10V dims to 1%
REV 8 inch Prime Retrofit	225 225W		277 277V	DMX DMX dims to 0.1% (XLR Sockets) DMX(RJ45) DMX dims to 0.1% (RJ45 Sockets)

Beam Angle	Finish	Accessories
45 45°	BLK Black	DF¹ Diffuser
55 55°	WHT White	SPD² Surge Protector
WD¹ 100° (with diffuser)		GR12³ Goof Ring 9.2" to 14"
		GR14³ Goof Ring 9.2" to 16"
<p>¹Please factor in change in lumen output with diffuser (-20% with WD; -12% with other degrees).</p> <p>²Surge protector for up to 10KV. Applicable for unstable mains or facilities using high power machineries.</p> <p>³Includes New Reflector.</p>		

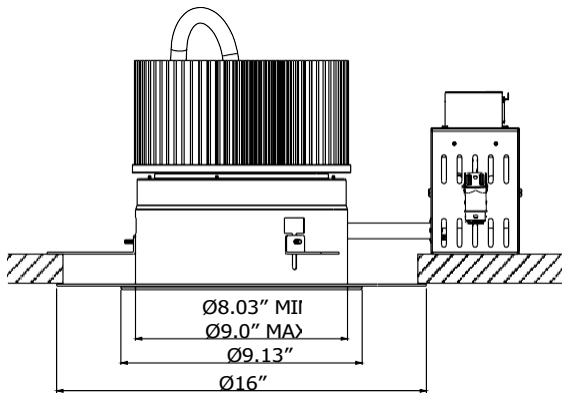
REV 8 Prime - Retrofit Tunable White Version (ColorFlip™)



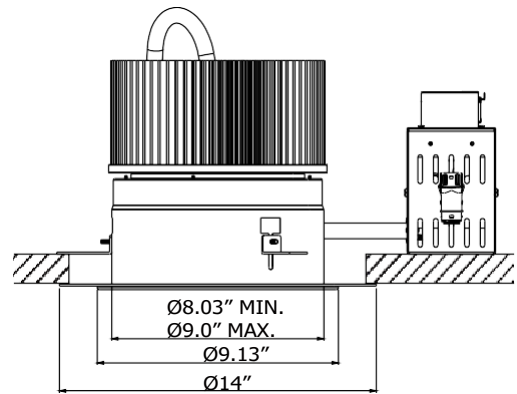
Dimensions



Goof Ring



GR14



GR12

REV 8 Prime - Retrofit Tunable White Version (ColorFlip™)



DMX Requirements*

The 8" REV LED fixture with DMX unit has TWO CHANNELS per fixture (1 to control intensity, 1 to control color). Fixture will be controlled by DMX number controlling intensity We do not recommend more than 32 fixtures per DMX daisy chain. When placing order, please indicate DMX address (refer to DMX Address example below).

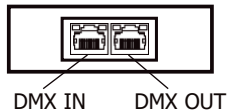
DMX address will be listed on the back of each fixture.

Fixture	DMX Address	
	Intensity Control (ex. X)	Color Control (ex. X+1)
#1	1	2
#2	3	4
#3	5	6

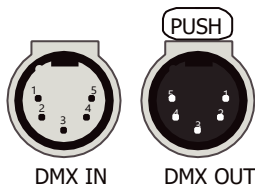
The LED fixture provide RJ45 Socket or XLR socket to connect. (DMX cable NOT included.)

The final fixture should be terminated by the use of DMX Terminator (by others).

RJ45 Sockets



XLR Sockets



CONNECTION	RJ45 (CAT5e)	5-PIN XLR
Common	WHITE/BROWN(PIN7) & BROWN (PIN 8)	PIN 1
Signal -	ORANGE (PIN 2)	PIN 2
Signal +	WHITE/ORANGE (PIN 1)	PIN 3
Spare	-	PIN 4
Spare	-	PIN 5

Compatible DMX Cabling List

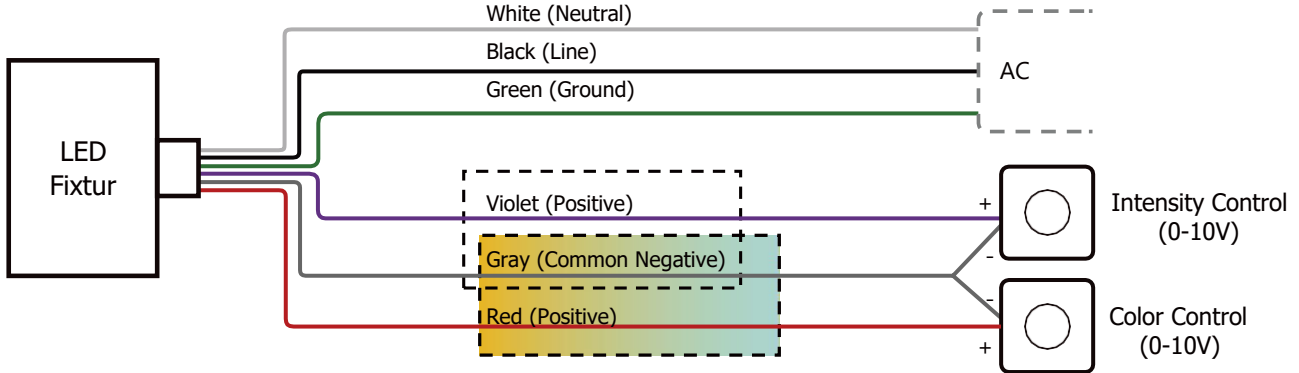
DMX uses a cable consisting of two twisted pairs plus a shield to carry data. The cable must be specifically impedance matched for the digital DMX signal, meaning that microphone cable or other non-rated cable **must not be used to carry DMX**. Network cable (Cat5, 5e or 6 cable) may be used to carry DMX in an installation; however special consideration must be given to shielding and termination. Under no circumstances should solid core cable like Cat5 be terminated into a screw down connector.

Meteor recommends the use of Belden 9729 for DMX installation. Belden 9729 is a two pair cable, which allows for a spare pair for 'out and back' type terminations if needed. Below is a list of other compatible Belden cables.

REV 8 Prime - Retrofit Tunable White Version (ColorFlip™)



Superior 0-10V Wiring Diagram



DMX Wiring Diagram

