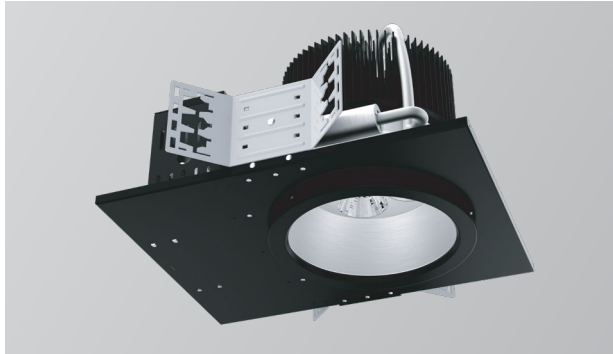


REV 8 Prime - New Construction



8-inch aperture high lumen recessed downlight with lumen output 18972 - 24867lm for new and retrofit applications.

- **Tunable White**
(Please refer to Tunable White Version spec sheet)
- **Warm Dim**
(Please refer to Warm Dim Version spec sheet)
- **W+RGB**
(Please refer to W+RGB Version spec sheet)

Quantity	Type
Project	Note

Electrical System

- 8371lm (95W)
- 10685lm (125W)
- 12905lm (145W)
- 21204 lm (185W)
- 24867 lm (225W)
- Power Input: 120V or 277V
- Operating Temperature: -40°F~112°F
- Surge Protection: 4KV
- Emergency Pack with Mounting Plate: Bodine BSL20LV
- Power Factor Greater than 0.9

LED Technology

- 2700K, 3000K, 3500K, 4000K
- 85 CRI
- Beam Angle: 30°, 45°, 55°, 100° (with diffuser)
- Rated Life > 60,000 hours (L70)

Advanced Dimming

(Proprietary VX Driver is incorporated to all dimming options for video flicker-free lighting)

- Superior 0-10V: dims to 1%
- DMX: dims to 0.1%
(Supports ANSI E1.20 RDM protocol)
- LTE: Hi-Lume 1% 2-wire LED Driver
(120V forward phase only)
- LDE1: Hi-Lume 1% EcoSystem LED Driver
with Soft-on, Fade-to-Black (UNV only)

New Construction

- Non-IC Rated, insulation must be kept >1ft from housing.
- Aperture: 8.1" (207mm)
- Trim Size: 8.46" (214mm)
- Ceiling Cutout: 8.25" (210mm)
- Maximum ceiling thickness: 1.5" (38mm)
- Tool-less top access allows service from above and below.
- Light engine, optics, and driver(s) accessible from below ceiling
- Weight: 17.63lbs / 18.82lbs

Note: C-Channel / Mounting Channels / T-Bar Hangers are purchased from a third party.

Warranty

- 5 years limited warranty.

Listing

- ETL Damp Location Listed
- FCC



REV 8 Prime - New Construction



How To Specify:

Ordering Example: R8PN-225-408-120-DMX-55-BLK

4-5 weeks lead time on over 75% of specifications.

Model	Wattage	CCT / CRI	Voltage	Dimming
R8PN			UNV	
R8PN	95 95W	278 2700K / CRI85	120 120V	NOD Non-Dimming
REV 8 Prime with	125 125W	308 3000K / CRI85	277 277V	SPV Superior 0-10V dims to 1%
New Construction frame	145 145W	358 3500K / CRI85		DMX DMX dims to 0.1% (XLR Sockets)
	185 185W	408 4000K / CRI85		DMX(RJ45) DMX dims to 0.1% (RJ45 Sockets)
	225 225W			LTE¹ Hi-Lume 1% 2-wire LED Driver (120V forward phase only)
				LDE1¹ Hi-Lume 1% EcoSystem LED Driver with Soft-on, Fade-to-Black (UNV only)
¹ Option is NOT compatible with 225 W				

Beam Angle	Finish	Accessories
30 30°	BLK Black	DF¹ Diffuser
45 45°	WHT White	SPD² Surge Protector
55 55°		EMP Remote Emergency Pack
WD¹ 100° (with diffuser)		SCA810 Sloped Ceiling Adapter 8°-12°
		SCA815 Sloped Ceiling Adapter 13°-17°
		SCA820 Sloped Ceiling Adapter 18°-22°
		SCA825 Sloped Ceiling Adapter 23°-27°
¹ Please factor in change in lumen output with diffuser (-20% with WD; -12% with other degrees).		¹ Please factor in change in lumen output with diffuser (-20% with WD; -12% with other degrees).
		² Surge protector for up to 10KV. Applicable for unstable mains or facilities using high power machineries.

REV 8 Prime - New Construction



Delivered Lumens*

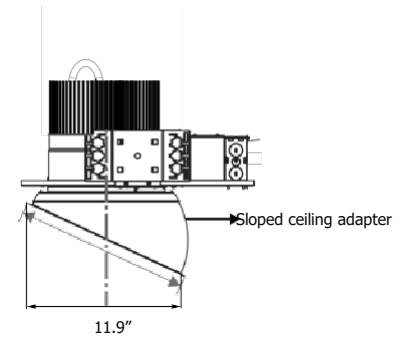
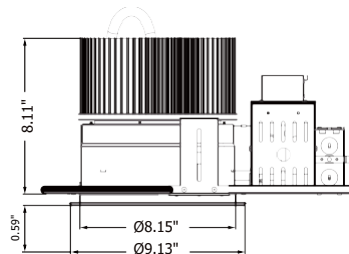
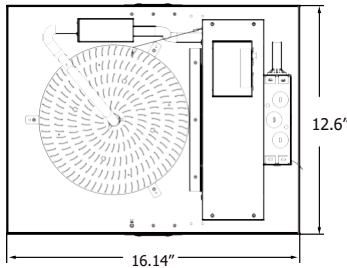
Wattage	95 W	125 W	145 W	185W	225W
Beam Angle: 30°					
CCT					
4000K	8371 lm	10685 lm	12905 lm	21204 lm	24867 lm
3500K	8229 lm	10478 lm	12660 lm	20646 lm	24212 lm
3000K	7959 lm	10156 lm	12285 lm	20088 lm	23558 lm
2700K	7290 lm	9324 lm	11305 lm	18972 lm	22249 lm

*Tolerance±8%

Current Consumption

Wattage	Volt	
	120V	277V
95W	0.87A	0.38A
125W	1.15A	0.50A
145W	1.33A	0.58A
185W	1.65A	0.71A
225W	2.02A	0.87A

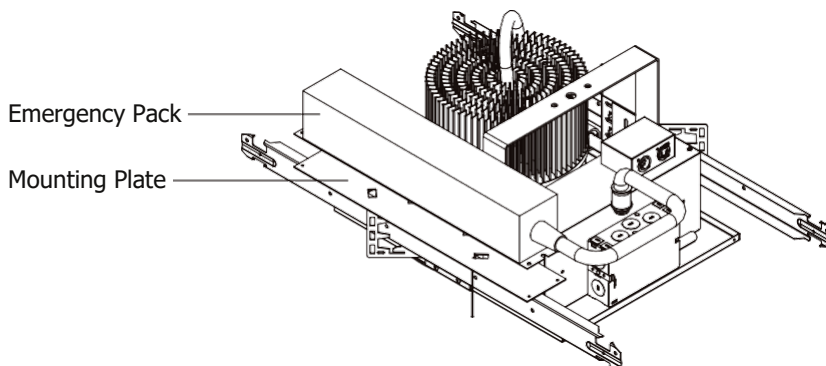
Dimensions



Ceiling opening: 11.6"

Cut 11.6" opening in ceiling for sloped ceiling adapter (same center as fixture frame opening)

Mounting Plate for Emergency Pack



Emergency Pack Lumen Output Table

CCT	2700K	3000K	4000K
Lumen	1640 lm	1760 lm	1890 lm

REV 8 Prime - New Construction



DMX Requirements

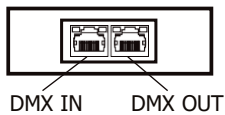
The REV 8 Prime LED fixture is a ONE CHANNEL DMX unit.

When placing order, please indicate DMX address. (The DMX address will be listed on the back of the fixture.)

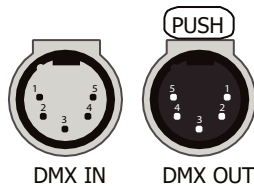
The LED fixture provide RJ45 Socket or XLR socket to connect. (DMX cable NOT included.)

The final fixture should be terminated by the use of DMX Terminator (by others).

RJ45 Sockets



XLR Sockets



CONNECTION	RJ45 (CAT5e)	5-PIN XLR
Common	WHITE/BROWN(PIN7) & BROWN (PIN 8)	PIN 1
Signal -	ORANGE (PIN 2)	PIN 2
Signal +	WHITE/ORANGE (PIN 1)	PIN 3
Spare	-	PIN 4
Spare	-	PIN 5

Compatible DMX Cabling List

DMX uses a cable consisting of two twisted pairs plus a shield to carry data. The cable must be specifically impedance matched for the digital DMX signal, meaning that microphone cable or other non-rated cable **must not be used to carry DMX**. Network cable (Cat5, 5e or 6 cable) may be used to carry DMX in an installation; however special consideration must be given to shielding and termination. Under no circumstances should solid core cable like Cat5 be terminated into a screw down connector.

Meteor recommends the use of Belden 9729 for DMX installation. Belden 9729 is a two pair cable, which allows for a spare pair for 'out and back' type terminations if needed. Below is a list of other compatible Belden cables.

Compatible LTE Dimmer List

LUTRON PART NO

RRD-6NA-	RRT-G5NEW-	RRT-GH	HQRD-10ND-	HQRT-GH	HQRD-HN	PD-10NXD-
RRD-6ND	RRT-G25LW-	HQRD-6NA-	MRF2-6ND-120-	HQRT-G25LW-	GT-250M-	PD-5NE-
RRD-10ND-	RRD-HN	HQRD-6ND-	MRF2S-6ND-120-	HQRT-G5NEW-	GTJ-250M-	