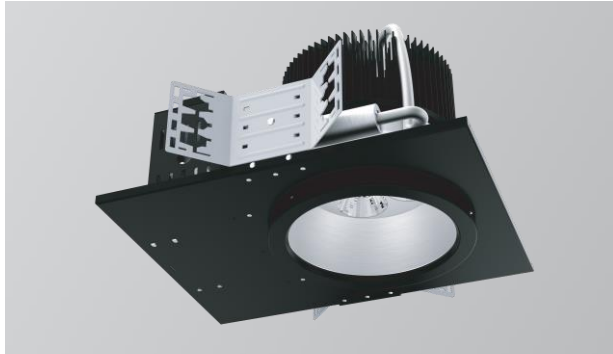


# REV 8 Prime - New Construction



8-inch aperture high lumen recessed downlight with lumen output 18972 - 24867lm for new and retrofit applications.

- **Tunable White**  
(Please refer to Tunable White Version spec sheet)
- **Warm Dim**  
(Please refer to Warm Dim Version spec sheet)
- **W+RGB**  
(Please refer to W+RGB Version spec sheet)

| Quantity | Type |
|----------|------|
| Project  | Note |

## Electrical System

- 8371lm (95W)
- 10685lm (125W)
- 12905lm (145W)
- 21204 lm (185W)
- 24867 lm (225W)
- Power Input: 120V or 277V
- Operating Temperature: -40°F~112°F
- Surge Protection: 4KV
- Emergency Pack with Mounting Plate: Bodine BSL20LV
- Power Factor Greater than 0.9

## LED Technology

- 2700K, 3000K, 3500K, 4000K
- 85 CRI
- Beam Angle: 30°, 45°, 55°, 100° (with diffuser)
- Rated Life > 60,000 hours (L70)

## Advanced Dimming

(Proprietary VX Driver is incorporated to all dimming options for video flicker-free lighting)

- Superior 0-10V: dims to 1%
- DMX: dims to 0.1%  
(Supports ANSI E1.20 RDM protocol)
- LTE: Hi-Lume 1% 2-wire LED Driver  
(120V forward phase only)
- LDE1: Hi-Lume 1% EcoSystem LED Driver  
with Soft-on, Fade-to-Black (UNV only)

## New Construction

- Non-IC Rated, insulation must be kept >1ft from housing.
- Aperture: 8.1" (207mm)
- Trim Size: 8.46" (214mm)
- Ceiling Cutout: 8.25" (210mm)
- Maximum ceiling thickness: 1.5" (38mm)
- Tool-less top access allows service from above and below.
- Light engine, optics, and driver(s) accessible from below ceiling
- Weight: 17.63lbs / 18.82lbs

Note: C-Channel / Mounting Channels / T-Bar Hangers are purchased from a third party.

## Warranty

- 5 years limited warranty.

## Listing

- ETL Damp Location Listed
- FCC



# REV 8 Prime - New Construction



## How To Specify:

**Ordering Example: R8PN-225-408-120-DMX-55-BLK**

**4-5 weeks lead time on over 75% of specifications.**

| Model  | Wattage         | CCT / CRI                | Voltage         | Dimming  |
|--|-----------------|--------------------------|-----------------|--|
| R8PN   |                 |                          |                 |  |
| R8PN   | <b>95</b> 95W   | <b>278</b> 2700K / CRI85 | <b>120</b> 120V | <b>NOD</b> Non-Dimming   |
| REV 8 Prime with                                 | <b>125</b> 125W | <b>308</b> 3000K / CRI85 | <b>277</b> 277V | <b>SPV</b> Superior 0-10V dims to 1%   |
| New Construction frame                           | <b>145</b> 145W | <b>358</b> 3500K / CRI85 |                 | <b>DMX</b> DMX dims to 0.1% (XLR Sockets)  |
|  | <b>185</b> 185W | <b>408</b> 4000K / CRI85 |                 | <b>DMX(RJ45)</b> DMX dims to 0.1% (RJ45 Sockets)   |
|  | <b>225</b> 225W |                          |                 | <b>LTE<sup>1</sup></b> Hi-Lume 1% 2-wire LED Driver (120V forward phase only)                  |
|  |                 |                          |                 | <b>LDE1<sup>1</sup></b> Hi-Lume 1% EcoSystem LED Driver with Soft-on, Fade-to-Black (UNV only) |
| <sup>1</sup> Option is NOT compatible with 225 W |                 |                          |                 |  |

| Beam Angle  | Finish           | Accessories  |
|---|------------------|--|
| <b>30</b> 30°   | <b>BLK</b> Black | <b>DF<sup>1</sup></b> Diffuser   |
| <b>45</b> 45°   | <b>WHT</b> White | <b>SPD<sup>2</sup></b> Surge Protector   |
| <b>55</b> 55°   |                  | <b>EMP</b> Remote Emergency Pack   |
| <b>WD<sup>1</sup></b> 100° (with diffuser)  |                  | <b>SCA810</b> Sloped Ceiling Adapter 8°-12°  |
|   |                  | <b>SCA815</b> Sloped Ceiling Adapter 13°-17°   |
|   |                  | <b>SCA820</b> Sloped Ceiling Adapter 18°-22°   |
|   |                  | <b>SCA825</b> Sloped Ceiling Adapter 23°-27°   |
| <sup>1</sup> Please factor in change in lumen output with diffuser (-20% with WD; -12% with other degrees). |                  | <sup>1</sup> Please factor in change in lumen output with diffuser (-20% with WD; -12% with other degrees).            |
|   |                  | <sup>2</sup> Surge protector for up to 10KV. Applicable for unstable mains or facilities using high power machineries. |

# REV 8 Prime - New Construction



## Delivered Lumens\*

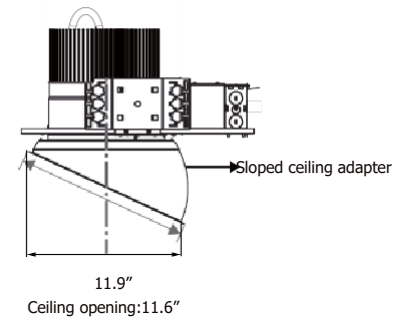
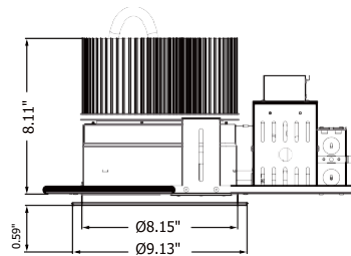
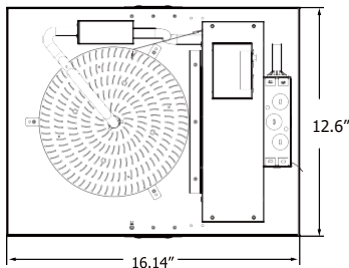
| Wattage         | 95 W    | 125 W    | 145 W    | 185W     | 225W     |
|-----------------|---------|----------|----------|----------|----------|
| Beam Angle: 30° |         |          |          |          |          |
| CCT             |         |          |          |          |          |
| 4000K           | 8371 lm | 10685 lm | 12905 lm | 21204 lm | 24867 lm |
| 3500K           | 8229 lm | 10478 lm | 12660 lm | 20646 lm | 24212 lm |
| 3000K           | 7959 lm | 10156 lm | 12285 lm | 20088 lm | 23558 lm |
| 2700K           | 7290 lm | 9324 lm  | 11305 lm | 18972 lm | 22249 lm |

\*Tolerance±8%

## Current Consumption

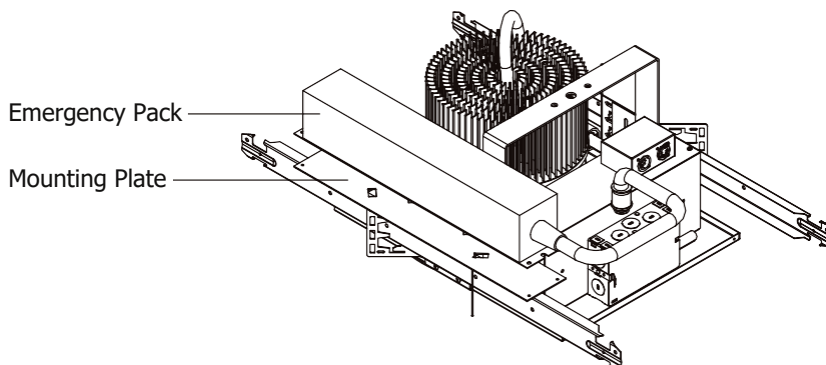
| Wattage | Volt  |       |
|---------|-------|-------|
|         | 120V  | 277V  |
| 95W     | 0.87A | 0.38A |
| 125W    | 1.15A | 0.50A |
| 145W    | 1.33A | 0.58A |
| 185W    | 1.65A | 0.71A |
| 225W    | 2.02A | 0.87A |

## Dimensions



Cut 11.6" opening in ceiling for sloped ceiling adapter (same center as fixture frame opening)

## Mounting Plate for Emergency Pack



## Emergency Pack Lumen Output Table

| CCT   | 2700K   | 3000K   | 4000K   |
|-------|---------|---------|---------|
| Lumen | 1640 lm | 1760 lm | 1890 lm |

# REV 8 Prime - New Construction



## DMX Requirements

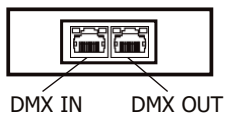
The REV 8 Prime LED fixture is a ONE CHANNEL DMX unit.

When placing order, please indicate DMX address. (The DMX address will be listed on the back of the fixture.)

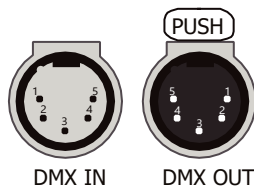
The LED fixture provide RJ45 Socket or XLR socket to connect. (DMX cable NOT included.)

The final fixture should be terminated by the use of DMX Terminator (by others).

### RJ45 Sockets



### XLR Sockets



| CONNECTION | RJ45 (CAT5e)                      | 5-PIN XLR |
|------------|-----------------------------------|-----------|
| Common     | WHITE/BROWN(PIN7) & BROWN (PIN 8) | PIN 1     |
| Signal -   | ORANGE (PIN 2)                    | PIN 2     |
| Signal +   | WHITE/ORANGE (PIN 1)              | PIN 3     |
| Spare      | -                                 | PIN 4     |
| Spare      | -                                 | PIN 5     |

## Compatible DMX Cabling List

DMX uses a cable consisting of two twisted pairs plus a shield to carry data. The cable must be specifically impedance matched for the digital DMX signal, meaning that microphone cable or other non-rated cable **must not be used to carry DMX**. Network cable (Cat5, 5e or 6 cable) may be used to carry DMX in an installation; however special consideration must be given to shielding and termination. Under no circumstances should solid core cable like Cat5 be terminated into a screw down connector.

Meteor recommends the use of Belden 9729 for DMX installation. Belden 9729 is a two pair cable, which allows for a spare pair for 'out and back' type terminations if needed. Below is a list of other compatible Belden cables.

## Compatible LTE Dimmer List

LUTRON PART NO

|           |            |           |                |             |           |           |
|-----------|------------|-----------|----------------|-------------|-----------|-----------|
| RRD-6NA-  | RRT-G5NEW- | RRT-GH    | HQRD-10ND-     | HQRT-GH     | HQRD-HN   | PD-10NXD- |
| RRD-6ND   | RRT-G25LW- | HQRD-6NA- | MRF2-6ND-120-  | HQRT-G25LW- | GT-250M-  | PD-5NE-   |
| RRD-10ND- | RRD-HN     | HQRD-6ND- | MRF2S-6ND-120- | HQRT-G5NEW- | GTJ-250M- |           |