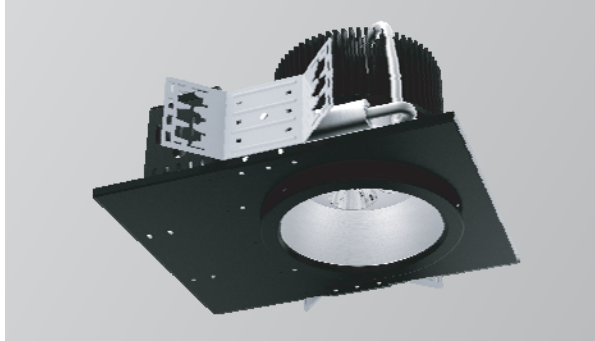


REV 8 Prime - New Construction



8-inch aperture high lumen recessed downlight with lumen output 18972 - 24867lm for new and retrofit applications.

- **Tunable White**
(Please refer to Tunable White Version spec sheet)
- **Warm Dim**
(Please refer to Warm Dim Version spec sheet)
- **W+RGB**
(Please refer to W+RGB Version spec sheet)

| Quantity | Type |
|----------|------|
| Project | Note |

Electrical System

- 21204 lm (185W)
24867 lm (225W)
- Power Input: 120V or 277V
- Operating Temperature: -40°F~112°F
- Surge Protection: 4KV
- Emergency Pack with Mounting Plate: Bodine BSL20LV
- Power Factor Greater than 0.9

LED Technology

- 2700K, 3000K, 3500K, 4000K
- 85 CRI
- Beam Angle: 30°, 45°, 55°, 100° (with diuuer)
- Rated Life > 60,000 hours (L70)

Advanced Dimming

- (Proprietary VX Driver is incorporated to all dimming options for video flicker-free lighting)
- **Superior 0-10V** : dims to 1%
 - **DMX** : high resolution dims to 0.1%
(Supports ANSI E1.20 RDM protocol)

- **185W only**
- **LTE: Hi-Lume 1% 2-wire LED Driver (120V forward phase only)**
- **LDE1: Hi-Lume 1% EcoSystem LED Driver with Soft-on, Fade-to-Black (UNV only)**

New Construction

- Non-IC Rated, insulation must be kept >1ft from housing.
- Aperture: 8.1" (207mm)
- Trim Size: 8.46" (214mm)
- Ceiling Cutout: 8.25" (210mm)
- Maximum ceiling thickness: 1.5" (38mm)
- Tool-less top access allows service from above.
- Light engine, optics, and driver(s) accessible from below ceiling
- Weight: 17.63lbs / 18.82lbs

Note: C-Channel / Mounting Channels / T-Bar Hangers are purchased from a third party.

Warranty

- 5 years limited warranty.

Listing

- ETL Damp Location Listed
- FCC



REV 8 Prime - New Construction



How To Specify:

Ordering Example: **R8PN-225-408-120-DMX-55-BLK**

4-5 weeks lead time on over 75% of specifications.

| Model | Wattage | CCT / CRI | Voltage | Dimming |
|---|------------------------------------|--|------------------------------------|--|
| R8PN | | | UNV | |
| R8PN REV 8 inch Prime with New Construction frame | 185 185W 225 225W | 278 2700K / CRI85 308 3000K / CRI85 358 3500K / CRI85 408 4000K / CRI85 | 120 120V 277 277V | NOD Non-Dimming SPV Superior 0-10V dims to 1% DMX DMX dims to 0.1% (XLR Sockets) DMX(RJ45) DMX dims to 0.1% (RJ45 Sockets) LTE¹ Hi-Lume 1% 2-wire LED Driver (120V forward phase only) LDE1¹ Hi-Lume 1% EcoSystem LED Driver with Soft-on, Fade-to-Black (UNV only) |
| ¹ Option is ONLY compatible to 185W | | | | |

| Beam Angle | Finish | Accessories |
|---|--------------------------------------|---|
| 30 30° 45 45° 55 55° WD¹ 100° (with diffuser) | BLK Black WHT White | DF¹ Diffuser SPD² Surge Protector EMP Remote Emergency Pack SCA810 Sloped Ceiling Adapter 8°-12° SCA815 Sloped Ceiling Adapter 13°-17° SCA820 Sloped Ceiling Adapter 18°-22° SCA825 Sloped Ceiling Adapter 23°-27° |
| ¹ Please factor in change in lumen output with diffuser (-20% with WD; -12% with other degrees). | | ¹ Please factor in change in lumen output with diffuser (-20% with WD; -12% with other degrees). ² Surge protector for up to 10KV. Applicable for unstable mains or facilities using high power machineries. |

REV 8 Prime - New Construction



Delivered Lumens*

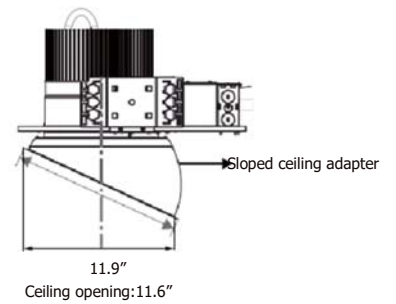
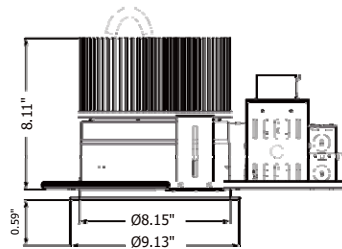
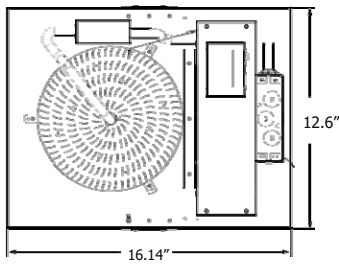
| Wattage \ CCT | 185W | 225W |
|-----------------|----------|----------|
| Beam Angle: 30° | | |
| 4000K | 21204 lm | 24867 lm |
| 3500K | 20646 lm | 24212 lm |
| 3000K | 20088 lm | 23558 lm |
| 2700K | 18972 lm | 22249 lm |

*Tolerance±8%

Current Consumption

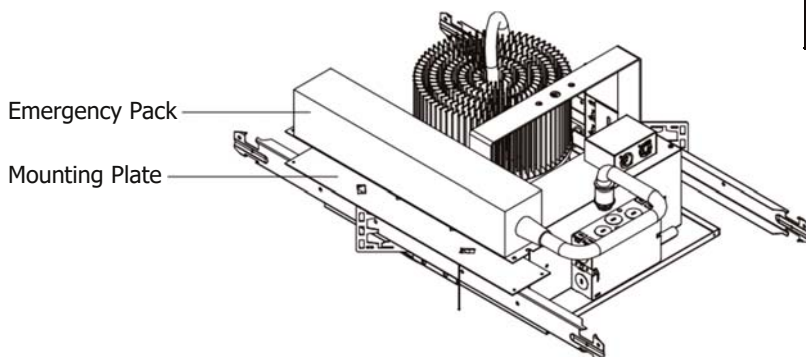
| Wattage \ Volt | 120V | 277V |
|----------------|-------|-------|
| 185W | 1.65A | 0.71A |
| 225W | 2.02A | 0.87A |

Dimensions



Ceiling opening: 11.6"
Cut 11.6" opening in ceiling for sloped ceiling adapter (same center as fixture frame opening)

Mounting Plate for Emergency Pack



Emergency Pack Lumen Output Table

| CCT | 2700K | 3000K | 4000K |
|-------|---------|---------|---------|
| Lumen | 1640 lm | 1760 lm | 1890 lm |

REV 8 Prime - New Construction



DMX Requirements

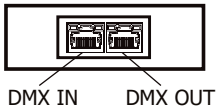
The 8" REV LED fixture with DMX is a ONE CHANNEL DMX unit.

When placing order, please indicate DMX address. (The DMX address will be listed on the back of the fixture.)

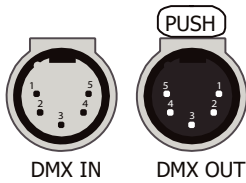
The LED fixture provide RJ45 Socket or XLR socket to connect. (DMX cable NOT included.)

The final fixture should be terminated by the use of DMX Terminator (by others).

RJ45 Sockets



XLR Sockets



| CONNECTION | RJ45 (CAT5e) | 5-PIN XLR |
|------------|----------------------------------|-----------|
| Common | WHITE/BROWN(PIN7) & BROWN(PIN 8) | PIN 1 |
| Signal - | ORANGE(PIN 2) | PIN 2 |
| Signal + | WHITE/ORANGE(PIN 1) | PIN 3 |
| Spare | - | PIN 4 |
| Spare | - | PIN 5 |

Compatible LTE Dimmer List

LUTRON PART NO

| | | | | | | |
|-----------|------------|-----------|----------------|-------------|-----------|-----------|
| RRD-6NA- | RRT-G5NEW- | RRT-GH | HQRD-10ND- | HQRT-GH | HQRD-HN | PD-10NXD- |
| RRD-6ND | RRT-G25LW- | HQRD-6NA- | MRF2-6ND-120- | HQRT-G25LW- | GT-250M- | PD-5NE- |
| RRD-10ND- | RRD-HN | HQRD-6ND- | MRF2S-6ND-120- | HQRT-G5NEW- | GTJ-250M- | |