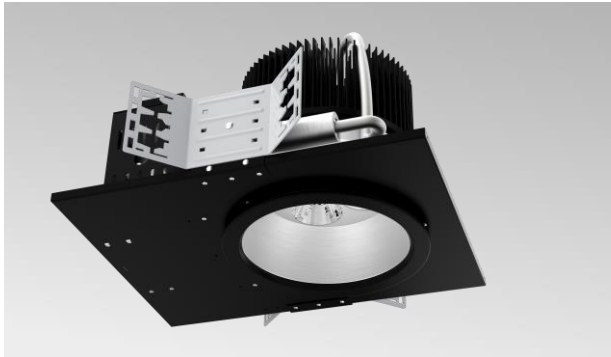


ADVANCED HIGH CEILING

# REV 8 Prime - New Construction

## Warm Dim (ColorFlip™)



8-inch aperture high lumen recessed downlight utilizing Meteor Lighting's proprietary ColorFlip™ Warm Dim solution, that results in superior efficacy and heat management. This product is compatible with all existing 0-10V and DMX control systems. Bringing ambient lighting to your spaces.



Quantity		Type	
Project		Note	

### Delivered

Warm Dim	1900K						3000K
DMX CCT Signal (%)	7%	20%	40%	60%	80%	100%	
0-10V CCT Voltage	0.7	2	4	6	8	10	
225W	402 lm	1809 lm	5427 lm	10251 lm	15477 lm	20100 lm	
185W	330 lm	1485 lm	4455 lm	8415 lm	12705 lm	16500 lm	

\*Tolerance±8%

### Electrical System

- 185W, 225W
- Power Input: 120V or 277V
- Operating Temperature: -13°F~112°F
- Surge Protection: 4KV
- Remote Emergency Pack: Bodine BSL20LV
- Power Factor Greater than 0.9

### LED Technology

- Warm Dim™ (Tuning White: 1900K ↔ 3000K)
- 85+ CRI
- Beam Angle: 45°, 55°, 100° (with diffuser)
- Rated Life > 60,000 Hours (L70)

### Advanced Dimming

- (Proprietary VX Driver is incorporated to all dimming options for video flicker-free lighting)
- Superior 0-10V: dims to 1%
  - DMX: high resolution dims to 0.1% (2 channel)
- (Supports ANSI E1.20 RDM protocol)

### New Construction

- Non-IC Rated, insulation must be kept >1ft from housing.
- Aperture: 8.1" (207mm)
- Trim Size: 8.46" (214mm)
- Ceiling Cutout: 8.25" (210mm)
- Maximum ceiling thickness: 1.5" (38mm)
- Tool-less top access allows service from above and below.
- Light engine, optics, and driver(s) accessible from below ceiling
- Weight: 17.63lbs / 18.82lbs

**Note: C-Channel / Mounting Channels / T-Bar Hangers are purchased from a third party.**

### Warranty

- 5 year limited warranty

### Listing

- ETL Damp Location Listed
- FCC
- CE



# REV 8 Prime - New Construction

## Warm Dim (ColorFlip™)



### How To Specify:

**Ordering Example: R8PN-185-WDIM-120-SPV-45-WHT**

**4-5 weeks lead time on over 75% of specifications.**

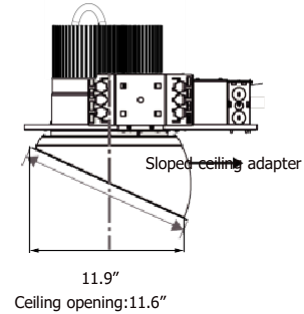
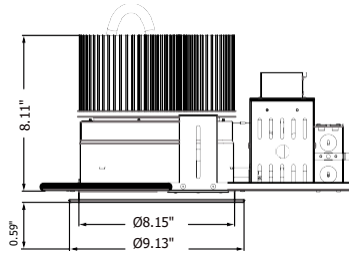
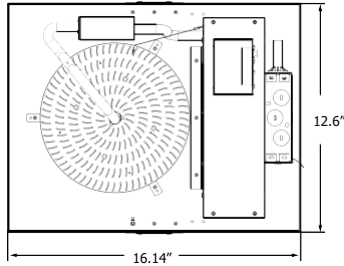
Model	Wattage	CCT / CRI	Voltage	Dimming
R8PN				
R8PN	<b>185</b> 185W	<b>WDIM</b> 1900K - 3000K	<b>120</b> 120V	<b>SPV</b> Superior 0-10V dims to 1%
REV 8-inch Prime with" New Construction frame	<b>225</b> 225W		<b>277</b> 277V	<b>DMX</b> DMX dims to 0.1% (XLR Sockets) <b>DMX(RJ45)</b> DMX dims to 0.1% (RJ45 Sockets)

Beam Angle	Finish	Accessories
<b>45</b> 45°	<b>BLK</b> Black	<b>DF</b> <sup>1</sup> Diffuser
<b>55</b> 55°	<b>WHT</b> White	<b>SPD</b> <sup>2</sup> Surge Protector
<b>WD</b> <sub>1</sub> 100° (with diffuser)		<b>SCA810</b> Sloped Ceiling Adapter 8°-12°
		<b>SCA815</b> Sloped Ceiling Adapter 13°-17°
		<b>SCA820</b> Sloped Ceiling Adapter 18°-22°
		<b>SCA825</b> Sloped Ceiling Adapter 23°-27°
		<b>2CPL</b> 2' x 2' x 1" Custom Metal Ceiling Panel
<sup>1</sup> Please factor in change in lumen output with diffuser (-20% with WD; -12% with other degrees).		<sup>1</sup> Please factor in change in lumen output with diffuser (-20% with WD; -12% with other degrees).
		<sup>2</sup> Surge protector for up to 10KV. Applicable for unstable mains or facilities using high power machineries.

# REV 8 Prime - New Construction Warm Dim (ColorFlip™)



## Dimensions



Cut 11.6" opening in ceiling for sloped ceiling adapter (same center as fixture frame opening)

## DMX Requirements

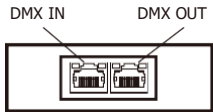
The 8" REV LED fixture with DMX is a ONE CHANNEL DMX unit.

When placing order, please indicate DMX address. (The DMX address will be listed on the back of the fixture.)

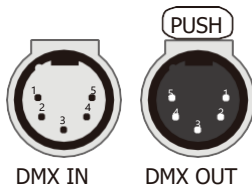
The LED fixture provide RJ45 Socket or XLR socket to connect. (DMX cable NOT included.)

The final fixture should be terminated by the use of DMX Terminator (by others).

### RJ45 Sockets



### XLR Sockets



CONNECTION	RJ45 (CAT5e)	5-PIN XLR
Common	WHITE/BROWN(PIN7) & BROWN (PIN 8)	PIN 1
Signal -	ORANGE (PIN 2)	PIN 2
Signal +	WHITE/ORANGE (PIN 1)	PIN 3
Spare	-	PIN 4
Spare	-	PIN 5

## Compatible DMX Cabling List

DMX uses a cable consisting of two twisted pairs plus a shield to carry data. The cable must be specifically impedance matched for the digital DMX signal, meaning that microphone cable or other non-rated cable **must not be used to carry DMX**. Network cable (Cat5, 5e or 6 cable) may be used to carry DMX in an installation; however special consideration must be given to shielding and termination. Under no circumstances should solid core cable like Cat5 be terminated into a screw down connector.

Meteor recommends the use of Belden 9729 for DMX installation. Belden 9729 is a two pair cable, which allows for a spare pair for 'out and back' type terminations if needed. Below is a list of other compatible Belden cables.