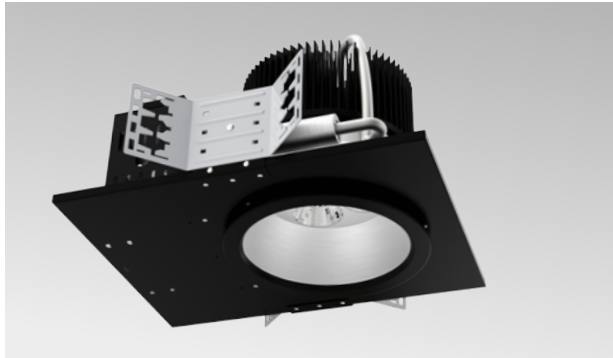


ADVANCED HIGH CEILING

REV 8 Prime - New Construction

Warm Dim (ColorFlip™)



8-inch aperture high lumen recessed downlight utilizing Meteor Lighting's proprietary ColorFlip™ Warm Dim solution, that results in superior efficacy and heat management. This product is compatible with all existing 0-10V and DMX control systems. Bringing ambient lighting to your spaces.



| | | | |
|----------|--|------|--|
| Quantity | | Type | |
| Project | | Note | |

Delivered

| Warm Dim | 1900K | | | | | | 3000K |
|--------------------|--------|---------|---------|----------|----------|----------|-------|
| DMX CCT Signal (%) | 7% | 20% | 40% | 60% | 80% | 100% | |
| 0-10V CCT Voltage | 0.7 | 2 | 4 | 6 | 8 | 10 | |
| 225W | 402 lm | 1809 lm | 5427 lm | 10251 lm | 15477 lm | 20100 lm | |
| 185W | 330 lm | 1485 lm | 4455 lm | 8415 lm | 12705 lm | 16500 lm | |

*Tolerance±8%

Electrical System

- 185W, 225W
- Power Input: 120V or 277V
- Operating Temperature: -13°F~112°F
- Surge Protection: 4KV
- Remote Emergency Pack: Bodine BSL20LV
- Power Factor Greater than 0.9

LED Technology

- Warm Dim™ (Tuning White: 1900K ↔ 3000K)
- 85+ CRI
- Beam Angle: 45°, 55°, 100° (with diffuser)
- Rated Life > 60,000 Hours (L70)

Advanced Dimming

- (Proprietary VX Driver is incorporated to all dimming options for video flicker-free lighting)
- Superior 0-10V: dims to 1%
 - DMX: high resolution dims to 0.1% (2 channel)
 - (Supports ANSI E1.20 RDM protocol)

New Construction

- Non-IC Rated, insulation must be kept >1ft from housing.
- Aperture: 8.1" (207mm)
- Trim Size: 8.46" (214mm)
- Ceiling Cutout: 8.25" (210mm)
- Maximum ceiling thickness: 1.5" (38mm)
- Tool-less top access allows service from above.
- Light engine, optics, and driver(s) accessible from below ceiling
- Weight: 17.63lbs / 18.82lbs

Note: C-Channel / Mounting Channels / T-Bar Hangers are purchased from a third party.

Warranty

- 5 year limited warranty

Listing

- ETL Damp Location Listed
- FCC
- CE



ADVANCED HIGH CEILING

REV 8 Prime - New Construction

Warm Dim (ColorFlip™)



How To Specify:

Ordering Example: R8PN-185-WDIM-120-SPV-45-WHT

4-5 weeks lead time on over 75% of specifications.

| Model | Wattage | CCT / CRI | Voltage | Dimming |
|---------------------------------------------------------|----------------------|--------------------|----------------------|------------------------------------------------------------------------------------------------------------------|
| R8PN | | WDIM | | |
| R8PN REV 8 inch Prime with New Construction frame | 185 185W 225 225W | WDIM 1900K - 3000K | 120 120V 277 277V | SPV Superior 0-10V dims to 1% DMX DMX dims to 0.1% (XLR Sockets) DMX(RJ45) DMX dims to 0.1% (RJ45 Sockets) |

| Beam Angle | Finish | Accessories |
|-------------------------------------------------------------------------------------------------------------|------------------------|--------------------------------------------------------------------------------------------------------------------------------------------------------------------------------------------------------------------------------------------------------------|
| | | |
| 45 45° 55 55° WD ¹ 100° (with diffuser) | BLK Black WHT White | DF ¹ Diffuser SPD ² Surge Protector EMP Remote Emergency Pack SCA810 Sloped Ceiling Adapter 8°-12° SCA815 Sloped Ceiling Adapter 13°-17° SCA820 Sloped Ceiling Adapter 18°-22° SCA825 Sloped Ceiling Adapter 23°-27° |
| ¹ Please factor in change in lumen output with diffuser (-20% with WD; -12% with other degrees). | | ¹ Please factor in change in lumen output with diffuser (-20% with WD; -12% with other degrees). ² Surge protector for up to 10KV. Applicable for unstable mains or facilities using high power machineries. |

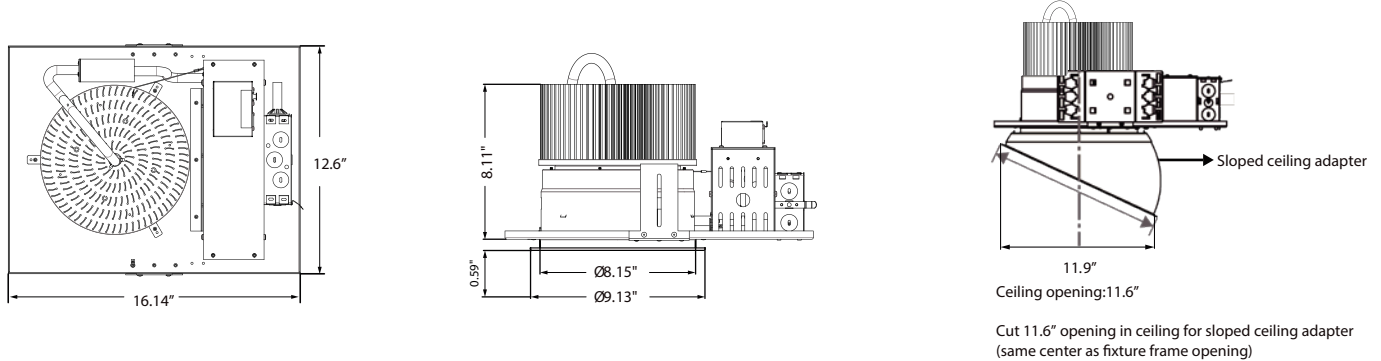
ADVANCED HIGH CEILING

REV 8 Prime - New Construction

Warm Dim (ColorFlip™)



Dimensions



DMX Requirements

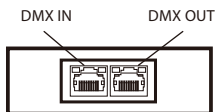
The 8" REV LED fixture with DMX is a ONE CHANNEL DMX unit.

When placing order, please indicate DMX address. (The DMX address will be listed on the back of the fixture.)

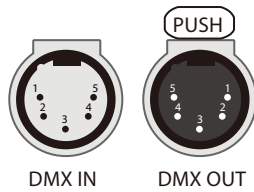
The LED fixture provide RJ45 Socket or XLR socket to connect. (DMX cable NOT included.)

The final fixture should be terminated by the use of DMX Terminator (by others).

RJ45 Sockets



XLR Sockets



| CONNECTION | RJ45 (CAT5e) | 5-PIN XLR |
|------------|----------------------------------|-----------|
| Common | WHITE/BROWN(PIN7) & BROWN(PIN 8) | PIN 1 |
| Signal - | ORANGE(PIN 2) | PIN 2 |
| Signal + | WHITE/ORANGE(PIN 1) | PIN 3 |
| Spare | - | PIN 4 |
| Spare | - | PIN 5 |