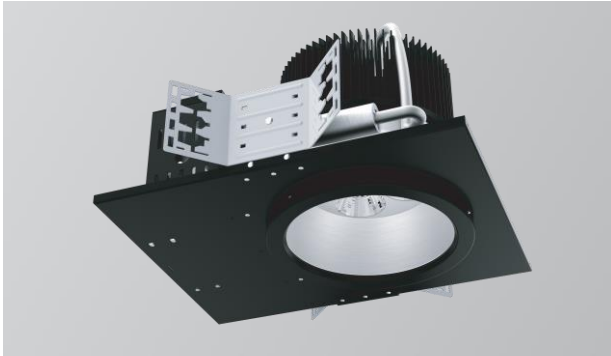


ADVANCED HIGH CEILING

REV 8 Prime – New Construction

W+RGB (ColorFlip™)



8-inch aperture high lumen recessed downlight utilizing Meteor Lighting's proprietary ColorFlip™ W + RGB solution, that gives you True White light and unlimited RGB possibilities. This product is compatible with all DMX control systems and follows ANSI E1.20 RDM protocol. You can now get white and RGB colors all from a single light source



Quantity		Type	
Project		Note	

Electrical System

- 200W / TypeA, 200W / TypeB
- Power Input: 120V or 277V
- Operating Temperature: -40°F~112°F
- Surge Protection: 4KV
- Power Factor Greater than 0.9

LED Technology

- White: CCT 3000K
- 85 CRI
- Beam Angle: 45°, 55°, 100°
- Rated Life > 60,000 hours (L70)

Advanced Dimming

(Proprietary VX Driver is incorporated to all dimming options for video flicker-free lighting)

- **DMX:** high resolution dims to 0.1% (Supports ANSI E1.20 RDM protocol)

New Construction

- Non-IC Rated, insulation must be kept >1ft from housing.
- Aperture: 8.1" (207mm)
- Trim Size: 8.46" (214mm)
- Ceiling Cutout: 8.25" (210mm)
- Maximum ceiling thickness: 1.5" (38mm)
- Tool-less top access allows service from above and below.
- Light engine, optics, and driver(s) accessible from below ceiling
- Weight: 17.63lbs / 18.82lbs

Note: C-Channel / Mounting Channels / T-Bar Hangers are purchased from a third party.

Warranty

- 5 years limited warranty.

Listing

- ETL Damp Location Listed
- FCC



ADVANCED HIGH CEILING

REV 8 Prime – New Construction

W+RGB (ColorFlip™)



How To Specify:

Ordering Example: R8PN-200A-308C-120-DMX-55-BLK

Model	Wattage	CCT / CRI	Voltage	Dimming
R8PN	200A	308C		
R8PN REV 8 Prime with New Construction frame	200A 100W/100W 200B 150W/50W <small>^aW=100W, RGB=100W ^bW=150W, RGB=50W</small>	308 3000K / CRI85 +RGB	120 120V 277 277V	DMX DMX dims to 0.1% (XLR Sockets) DMX(RJ45) DMX dims to 0.1% (RJ45 Sockets)

Beam Angle	Finish	Accessories
45 20° 55 55° WD¹ 100° (with diffuser)	BLK Black WHT White	DF¹ Diffuser SPD² Surge Protector SCA810 Sloped Ceiling Adapter 8°-12° SCA815 Sloped Ceiling Adapter 13°-17° SCA820 Sloped Ceiling Adapter 18°-22° SCA825 Sloped Ceiling Adapter 23°-27° 2CPL 2' x 2' x 1" Custom Metal Ceiling Panel
<small>¹Please factor in change in lumen output with diffuser (-20% with WD; -12% with other degrees).</small>	<small>*Finish indicates Trim only, with standard matte silver reflector.</small>	<small>¹Please factor in change in lumen output with diffuser (-20% with WD; -12% with other degrees). ²Surge protector for up to 10KV. Applicable for unstable mains or facilities using high power machineries.</small>

ADVANCED HIGH CEILING

REV 8 Prime – New Construction

W+RGB (ColorFlip™)



Delivered Lumens*

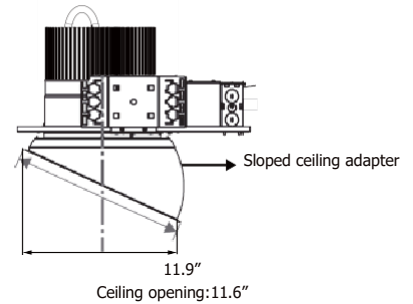
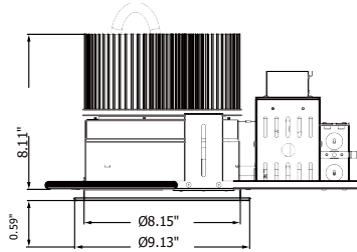
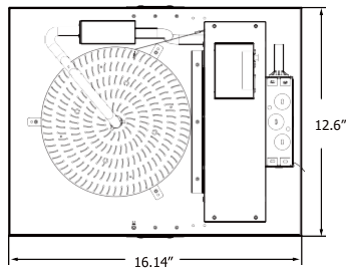
Wattage CCT	200W / TypeA		200W / TypeB	
	Beam Angle: 45°			
R	33 W	615 lm	17 W	220 lm
G	33 W	4076 lm	17 W	1702 lm
B	33 W	483 lm	17 W	209 lm
W	100 W	8079 lm	150 W	12015 lm

*Tolerance±8%

Current Consumption

Wattage	Volt	
	120V	277V
200W	1.8A	0.9A

Dimensions



Cut 11.6" opening in ceiling for sloped ceiling adapter (same center as fixture frame opening)

ADVANCED HIGH CEILING

REV 8 Prime – New Construction

W+RGB (ColorFlip™)



DMX Requirements

The 8" REV LED fixture with DMX is a FOUR CHANNEL DMX unit.

When placing order, please indicate DMX address. (The DMX address will be listed on the back of the fixture.)

The LED fixture provide RJ45 Socket or XLR socket to connect. (DMX cable NOT included.)

The final fixture should be terminated by the use of DMX Terminator (by others).

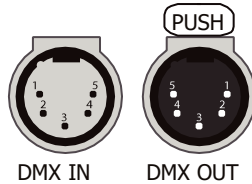
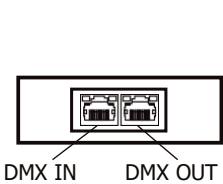
Fixture	DMX Address			
	Red Control (ex. X)	Green Control (ex. X+1)	Blue Control (ex. X+2)	White Control (ex. X+3)
#1	1	2	3	4
#2	5	6	7	8
#3	9	10	11	12

The LED fixture provide RJ45 Socket or XLR socket to connect. (DMX cable NOT included.)

The final fixture should be terminated by the use of DMX Terminator (by others).

RJ45 Sockets

XLR Sockets



CONNECTION	RJ45 (CAT5e)	5-PIN XLR
Common	WHITE/BROWN(PIN7) & BROWN (PIN 8)	PIN 1
Signal -	ORANGE (PIN 2)	PIN 2
Signal +	WHITE/ORANGE (PIN 1)	PIN 3
Spare	-	PIN 4
Spare	-	PIN 5

Compatible DMX Cabling List

DMX uses a cable consisting of two twisted pairs plus a shield to carry data. The cable must be specifically impedance matched for the digital DMX signal, meaning that microphone cable or other non-rated cable **must not be used to carry DMX**. Network cable (Cat5, 5e or 6 cable) may be used to carry DMX in an installation; however special consideration must be given to shielding and termination. Under no circumstances should solid core cable like Cat5 be terminated into a screw down connector.

Meteor recommends the use of Belden 9729 for DMX installation. Belden 9729 is a two pair cable, which allows for a spare pair for 'out and back' type terminations if needed. Below is a list of other compatible Belden cables.