

# REV 8 - Retrofit



8-inch aperture high lumen recessed downlight with lumen output 7290 – 12905lm.



Quantity	Type
Project	Note

## Electrical System

- 8371lm (95W)
- 10685lm (125W)
- 12905lm (145W)
- Power Input: 120V or 277V
- Operating Temperature: -40°F~112°F
- Surge Protection: 4KV
- Emergency Pack with Mounting Plate: Bodine BSL20LV
- Power Factor Greater than 0.9

## LED Technology

- 2700K, 3000K, 3500K, 4000K
- 85 CRI, 93 CRI
- Beam Angle: 20°, 35°, 50°, 100° (with diffuser)
- Rated Life > 60,000 hours (L70)

## Advanced Dimming

(Proprietary VX Driver is incorporated to all dimming options for video flicker-free lighting)

- **Superior 0-10V** : dims to 1%
- **DMX** : high resolution dims to 0.1%  
(Supports ANSI E1.20 RDM protocol)
- LTE: Hi-Lume 1% 2-wire LED Driver (120V forward phase only)
- LDE1: Hi-Lume 1% EcoSystem LED Driver with Soft-on, Fade-to-Black (UNV only)

## Retrofit

- Non-IC Rated, insulation must be kept >1ft from housing.
- Aperture: 8.1" (207mm)
- Opening of Mounting Frame: 8.13" (207mm) to 9.1" (231mm) Max
- Oversize Trim: 9.13" (232mm)
- Maximum ceiling thickness: 1.5" (38mm)
- Tool-less top access allows service from above and below.
- Light engine, optics, and driver(s) accessible from below ceiling
- Weight: 16.13lbs
- Goof Ring 14": Aluminum, standard white finish; O. D. 16"; other size and finish available, please inquire

## Warranty

- 5 years limited warranty.

## Listing

- ETL Damp Location Listed
- FCC



# REV 8 - Retrofit



## How to Specify:

**Ordering Example: RS8R-125-308-120-SPV-20-SSR**

**4-5 weeks lead time on over 75% of specifications.**

Model	Wattage	CCT / CRI	Voltage	Dimming
RS8R			UNV	
RS8R	<b>95</b> 95W	<b>278</b> 2700K / CRI85	<b>120</b> 120V	<b>NOD</b> Non-Dimming
REV 8 inch Retrofit	<b>125</b> 125W	<b>308</b> 3000K / CRI85	<b>277</b> 277V	<b>SPV</b> Superior 0-10V dims to 1%
	<b>145</b> 145W	<b>358</b> 3500K / CRI85		<b>DMX</b> DMX dims to 0.1% (XLR Sockets)
		<b>408</b> 4000K / CRI85		<b>DMX(RJ45)</b> DMX dims to 0.1% (RJ45 Sockets)
		<b>279</b> 2700K / CRI85		<b>LTE</b> Hi-Lume 1% 2-wire LED Driver (120V forward phase only)
		<b>309</b> 3000K / CRI85		<b>LDE1</b> Hi-Lume 1% EcoSystem LED Driver with Soft-on, Fade-to-Black (UNV only)

Beam Angle	Finish	Accessories
<b>20</b> 20°	<b>BLK</b> Black	<b>DF<sup>1</sup></b> Diffuser
<b>35</b> 35°	<b>WHT</b> White	<b>SPD<sup>2</sup></b> Surge Protector
<b>50</b> 50°	<b>SSR</b> Semi-Specular	<b>GR12</b> Goof Ring 9.2" to 14"
<b>WD*</b> 100°(with diffuser)		<b>GR14</b> Goof Ring 9.2" to 16"
<sup>1</sup> Please factor in change in lumen output with diffuser (-20% with WD; -12% with other degrees).		<sup>2</sup> Surge protector for up to 10KV. Applicable for unstable mains or facilities using high power machineries.

# REV 8 - Retrofit



## Delivered Lumens\*

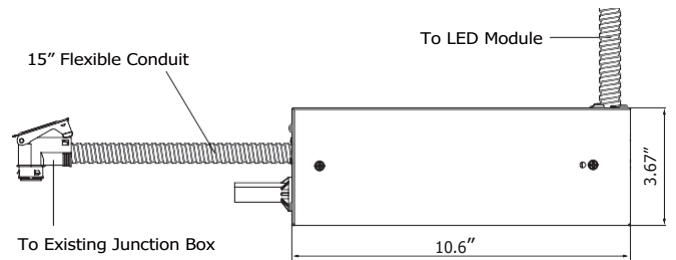
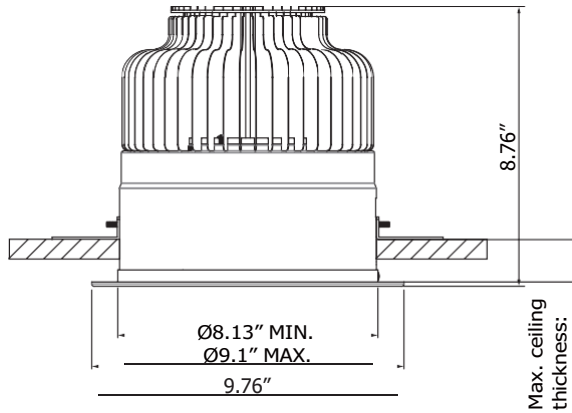
Wattage \ CCT	95W	125W	145W
	Beam Angle: 20°		
4000K	8371lm	10685 lm	12905 lm
3500K	8229 lm	10478 lm	12660 lm
3000K	7959 lm	10156 lm	12285 lm
2700K	7290 lm	9324 lm	11305 lm

\*Tolerance±8%

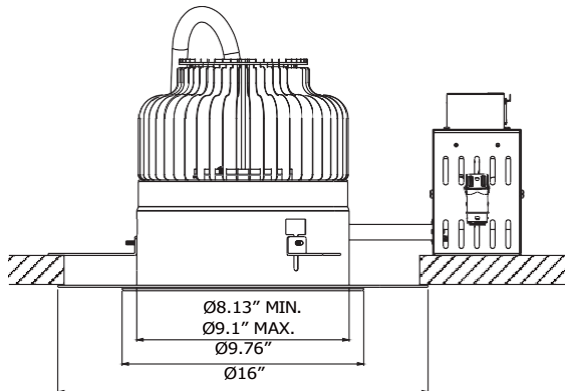
## Current Consumption

Wattage \ Volt	120V	277V
95W	0.87A	0.38A
125W	1.15A	0.50A
145W	1.33A	0.58A

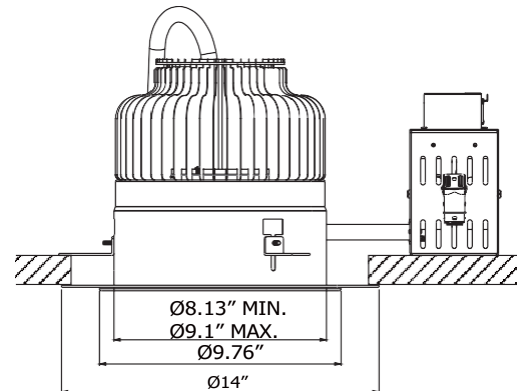
## Dimensions



## Goof Ring



GR14



GR12

## DMX Requirements

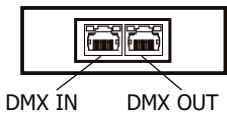
The REV 8 LED fixture with DMX is a ONE CHANNEL DMX unit.

When placing order, please indicate DMX address. (The DMX address will be listed on the back of the fixture.)

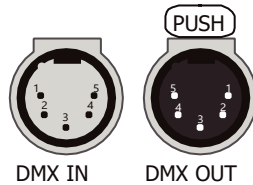
The LED fixture provide RJ45 Socket or XLR socket to connect. (DMX cable NOT included.)

The final fixture should be terminated by the use of DMX Terminator (by others).

### RJ45 Sockets



### XLR Sockets



CONNECTION	RJ45 (CAT5e)	5-PIN XLR
Common	WHITE/BROWN(PIN7) & BROWN (PIN 8)	PIN 1
Signal -	ORANGE (PIN 2)	PIN 2
Signal +	WHITE/ORANGE (PIN 1)	PIN 3
Spare	-	PIN 4
Spare	-	PIN 5

## Compatible DMX Cabling List

DMX uses a cable consisting of two twisted pairs plus a shield to carry data. The cable must be specifically impedance matched for the digital DMX signal, meaning that microphone cable or other non-rated cable **must not be used to carry DMX**. Network cable (Cat5, 5e or 6 cable) may be used to carry DMX in an installation; however special consideration must be given to shielding and termination. Under no circumstances should solid core cable like Cat5 be terminated into a screw down connector.

Meteor recommends the use of Belden 9729 for DMX installation. Belden 9729 is a two pair cable, which allows for a spare pair for 'out and back' type terminations if needed. Below is a list of other compatible Belden cables.

## Compatible LTE Dimmer List

LUTRON PART NO

RRD-6NA-	RRT-G5NEW-	RRT-GH	HQRD-10ND-	HQRT-GH	HQRD-HN	PD-10NXD-
RRD-6ND	RRT-G25LW-	HQRD-6NA-	MRF2-6ND-120-	HQRT-G25LW-	GT-250M-	PD-5NE-
RRD-10ND-	RRD-HN	HQRD-6ND-	MRF2S-6ND-120-	HQRT-G5NEW-	GTJ-250M-	