

REV 8 - Retrofit



8-inch aperture high lumen recessed downlight with lumen output 7290 – 12905lm.



Quantity	Type
Project	Note

Electrical System

- 8371lm (95W)
- 10685lm (125W)
- 12905lm (145W)
- Power Input: 120V or 277V
- Operating Temperature: -40°F~112°F
- Surge Protection: 4KV
- Emergency Pack with Mounting Plate: Bodine BSL20LV
- Power Factor Greater than 0.9

LED Technology

- 2700K, 3000K, 3500K, 4000K
- 85 CRI, 93 CRI
- Beam Angle: 20°, 35°, 50°, 100° (with diffuser)
- Rated Life > 60,000 hours (L70)

Advanced Dimming

(Proprietary VX Driver is incorporated to all dimming options for video flicker-free lighting)

- **Superior 0-10V** : dims to 1%
- **DMX** : high resolution dims to 0.1% (Supports ANSI E1.20 RDM protocol)
- **LTE**: Hi-Lume 1% 2-wire LED Driver (120V forward phase only)
- **LDE1**: Hi-Lume 1% EcoSystem LED Driver with Soft-on, Fade-to-Black (UNV only)

Retrofit

- Non-IC Rated, insulation must be kept >1ft from housing.
- Aperture: 8.1" (207mm)
- Opening of Mounting Frame: 8.13" (207mm) to 9.1" (231mm) Max
- Oversize Trim: 9.13" (232mm)
- Maximum ceiling thickness: 1.5" (38mm)
- Tool-less top access allows service from above and below.
- Light engine, optics, and driver(s) accessible from below ceiling
- Weight: 16.13lbs
- Goof Ring 14": Aluminum, standard white finish; O. D. 16"; other size and finish available, please inquire

Warranty

- 5 years limited warranty.

Listing

- ETL Damp Location Listed
- FCC



REV 8 - Retrofit



How to Specify:

Ordering Example: RS8R-125-308-120-SPV-20-SSR

4-5 weeks lead time on over 75% of specifications.

Model	Wattage	CCT / CRI	Voltage	Dimming
RS8R			UNV	
RS8R	95 95W	278 2700K / CRI85	120 120V	NOD Non-Dimming
REV 8 inch Retrofit	125 125W	308 3000K / CRI85	277 277V	SPV Superior 0-10V dims to 1%
	145 145W	358 3500K / CRI85		DMX DMX dims to 0.1% (XLR Sockets)
		408 4000K / CRI85		DMX(RJ45) DMX dims to 0.1% (RJ45 Sockets)
		279 2700K / CRI85		LTE Hi-Lume 1% 2-wire LED Driver (120V forward phase only)
		309 3000K / CRI85		LDE1 Hi-Lume 1% EcoSystem LED Driver with Soft-on, Fade-to-Black (UNV only)

Beam Angle	Finish	Accessories
20 20°	BLK Black	DF¹ Diffuser
35 35°	WHT White	SPD² Surge Protector
50 50°	SSR Semi-Specular	GR12 Goof Ring 9.2" to 14"
WD* 100°(with diffuser)		GR14 Goof Ring 9.2" to 16"
¹ Please factor in change in lumen output with diffuser (-20% with WD; -12% with other degrees).		² Surge protector for up to 10KV. Applicable for unstable mains or facilities using high power machineries.

REV 8 - Retrofit



Delivered Lumens*

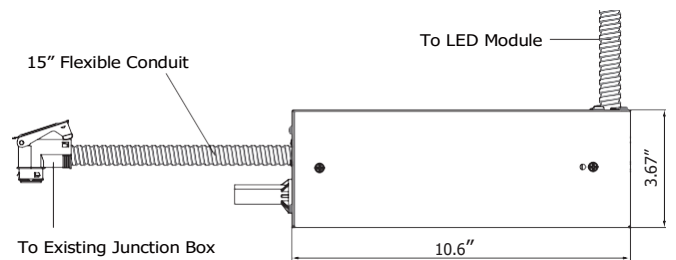
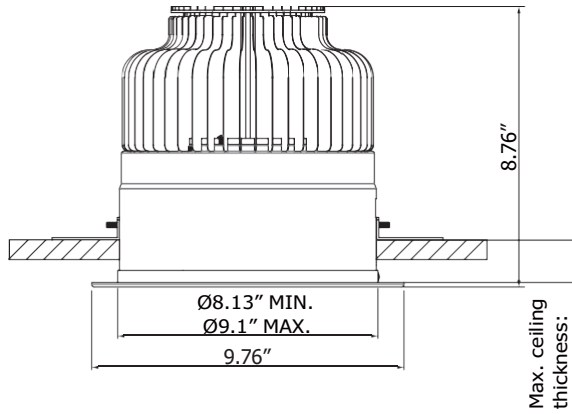
Wattage \ CCT	95W	125W	145W
	Beam Angle: 20°		
4000K	8371lm	10685 lm	12905 lm
3500K	8229 lm	10478 lm	12660 lm
3000K	7959 lm	10156 lm	12285 lm
2700K	7290 lm	9324 lm	11305 lm

*Tolerance±8%

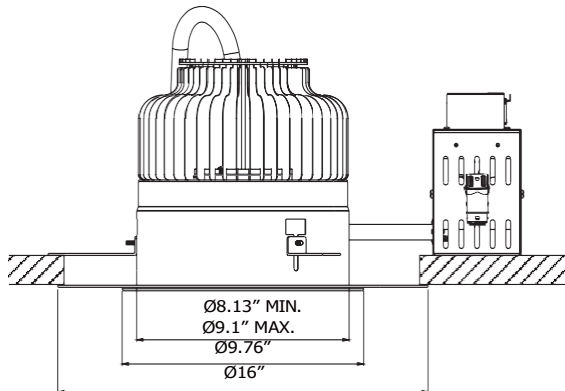
Current Consumption

Wattage \ Volt	120V	277V
95W	0.87A	0.38A
125W	1.15A	0.50A
145W	1.33A	0.58A

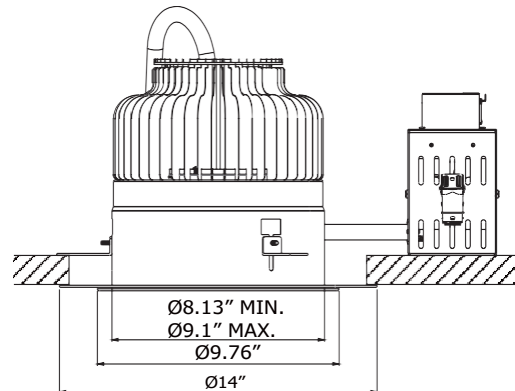
Dimensions



Goof Ring



GR14



GR12

DMX Requirements

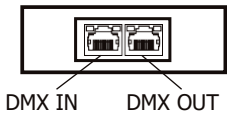
The REV 8 LED fixture with DMX is a ONE CHANNEL DMX unit.

When placing order, please indicate DMX address. (The DMX address will be listed on the back of the fixture.)

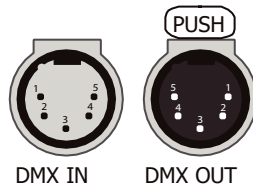
The LED fixture provide RJ45 Socket or XLR socket to connect. (DMX cable NOT included.)

The final fixture should be terminated by the use of DMX Terminator (by others).

RJ45 Sockets



XLR Sockets



CONNECTION	RJ45 (CAT5e)	5-PIN XLR
Common	WHITE/BROWN(PIN7) & BROWN(PIN 8)	PIN 1
Signal -	ORANGE(PIN 2)	PIN 2
Signal +	WHITE/ORANGE(PIN 1)	PIN 3
Spare	-	PIN 4
Spare	-	PIN 5

Compatible LTE Dimmer List

LUTRON PART NO

RRD-6NA-	RRT-G5NEW-	RRT-GH	HQRD-10ND-	HQRT-GH	HQRD-HN	PD-10NXD-
RRD-6ND	RRT-G25LW-	HQRD-6NA-	MRF2-6ND-120-	HQRT-G25LW-	GT-250M-	PD-5NE-
RRD-10ND-	RRD-HN	HQRD-6ND-	MRF2S-6ND-120-	HQRT-G5NEW-	GTJ-250M-	