

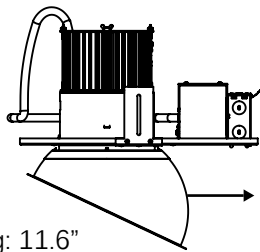
# ADVANCED HIGH CEILING REV 6 - Sloped Ceiling Adapter



## IMPORTANT SAFETY INFORMATION. READ AND FOLLOW ALL SAFETY INSTRUCTIONS

IMPORTANT SAFETY INFORMATION. READ AND FOLLOW ALL SAFETY INSTRUCTIONS. Before wiring to power supply and during servicing or relamping, turn off power at fuse or circuit breaker. All servicing or relamping must be performed by qualified service personnel. Product must be grounded to avoid potential electric shock or other potential hazard. Product must be at locations and at heights and in a manner consistent with its intended use, and in compliance with Electrical Code and local codes.

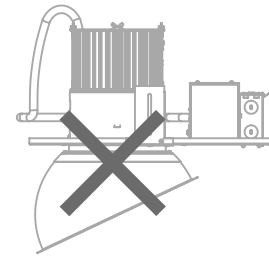
**SAVE THESE INSTRUCTIONS FOR FUTURE REFERENCE.**



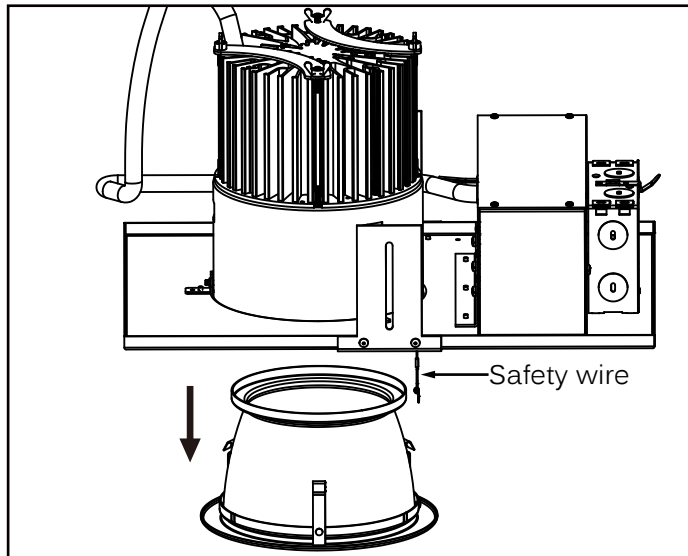
Ceiling opening: 11.6"  
Oversize trim: 11.9"

Sloped Ceiling Adapter

Ceiling opening: 11.6"

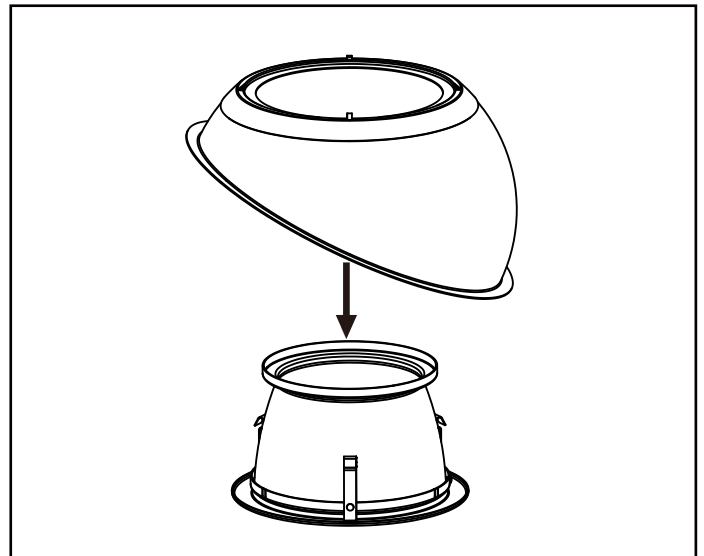


Cut 11.6" opening in ceiling for sloped ceiling adapter  
(same center as fixture frame opening)



### Step 1

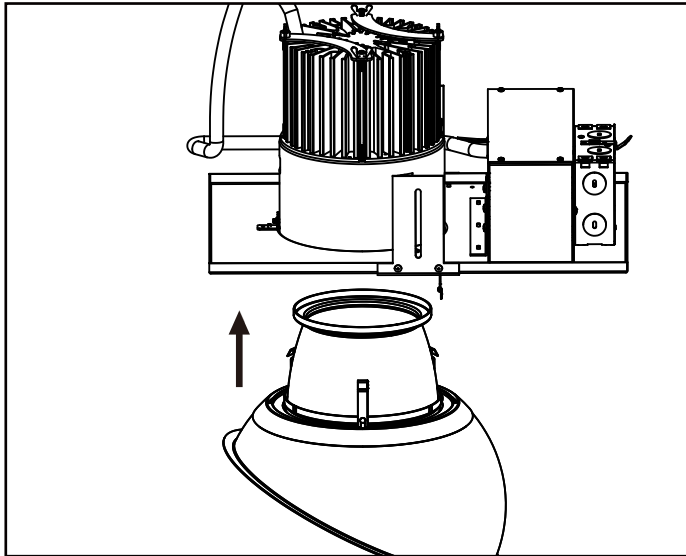
Detach trim/reflector and safety wire from fixture.



### Step 2

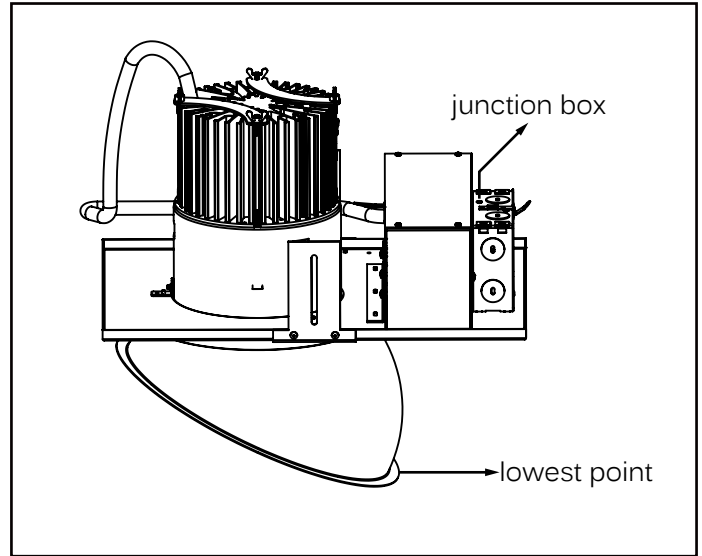
Sloped ceiling adapter slips over trim/reflector.

# ADVANCED HIGH CEILING REV 6 - Sloped Ceiling Adapter



## Step 3

Secure safety wire.



## Step 4

Align the fixture frame correctly on the slope ceiling adapter such that the junction box side is pointing towards the side where the slope is at the lowest point.