

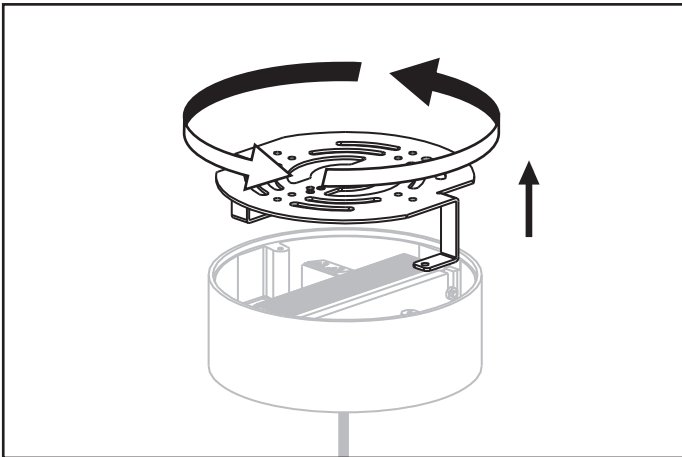
ADVANCED HIGH CEILING
Orion 4 - Stem



**IMPORTANT SAFETY INFORMATION.
READ AND FOLLOW ALL SAFETY INSTRUCTIONS**

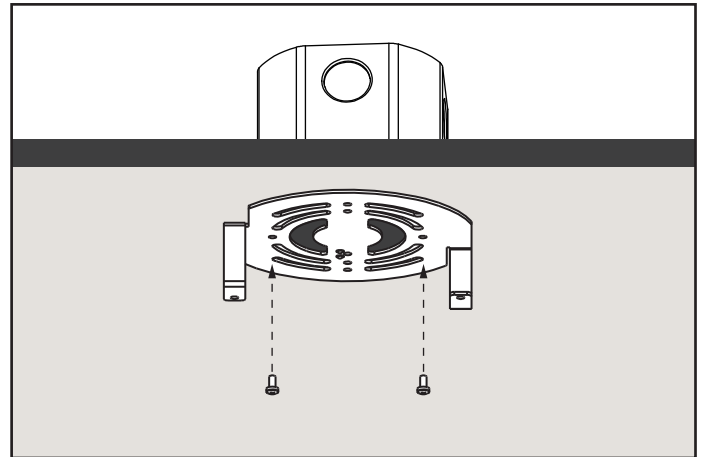
IMPORTANT SAFETY INFORMATION. READ AND FOLLOW ALL SAFETY INSTRUCTIONS. Before wiring to power supply and during servicing or relamping, turn off power at fuse or circuit breaker. All servicing or relamping must be performed by qualified service personnel. Product must be grounded to avoid potential electric shock or other potential hazard. Product must be at locations and at heights and in a manner consistent with its intended use, and in compliance with Electrical Code and local codes.

SAVE THESE INSTRUCTIONS FOR FUTURE REFERENCE.



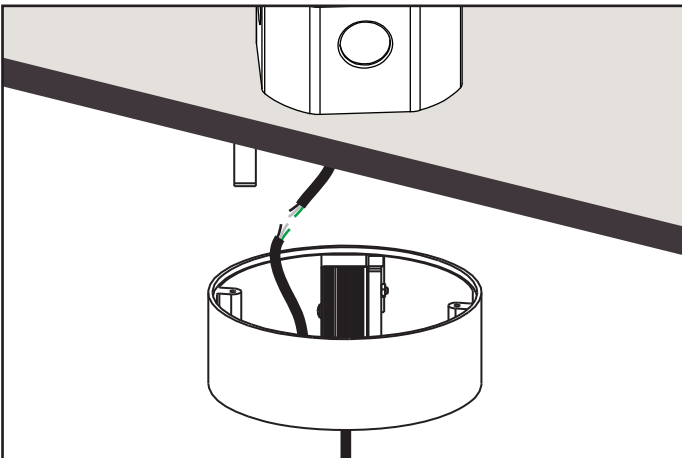
Step 1

Turn the crossbar clockwise and remove.



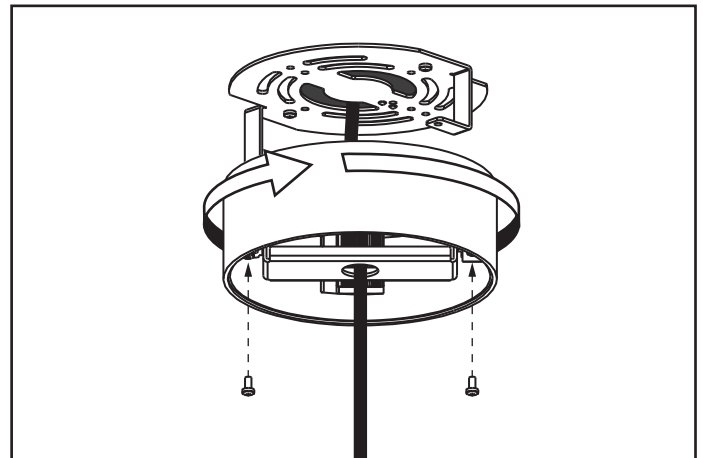
Step 2

Screw the crossbar to the desired place on the ceiling and screw in place.



Step 3

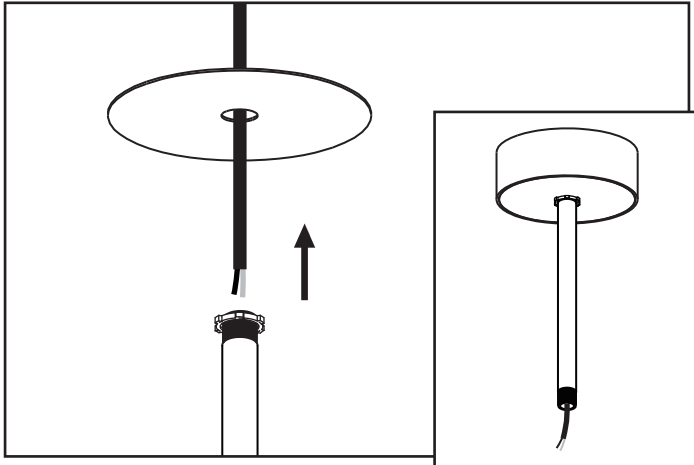
Connect the wires according the WIRING DIAGRAM provided.



Step 4

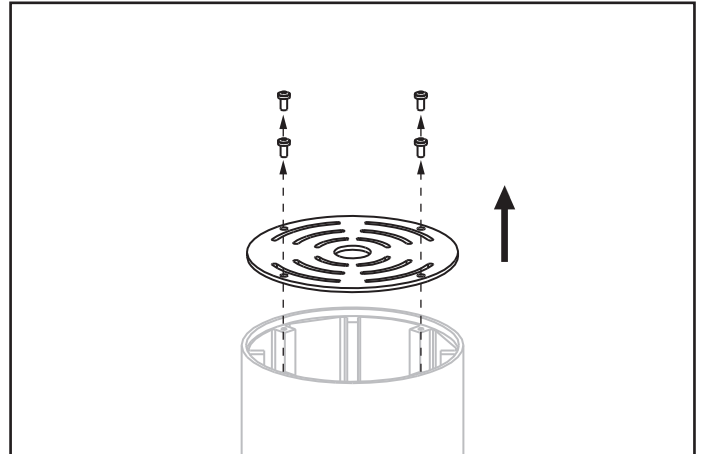
Align the canopy to the crossbar and turn clockwise to lock it in place and screw in place.

ADVANCED HIGH CEILING Orion 4 - Stem



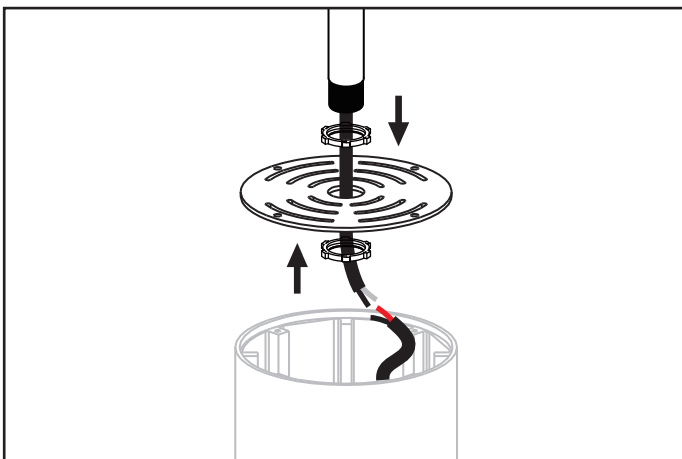
Step 5

Place the nut through the stem and screw upwards to the canopy.



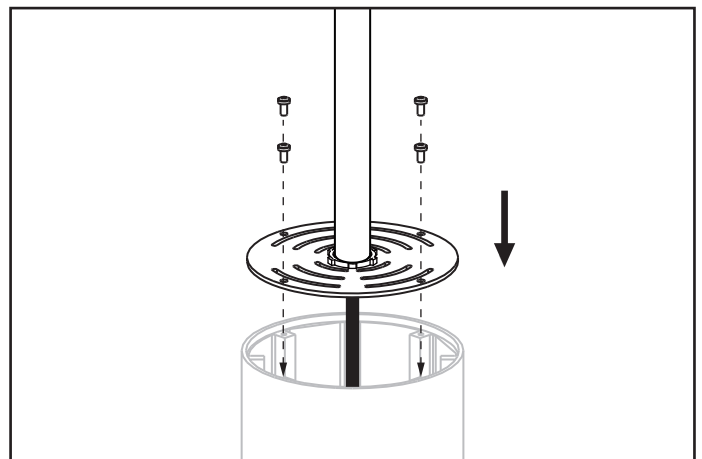
Step 6

Remove 4 Phillips screws holding the fixture plate and put aside.



Step 7

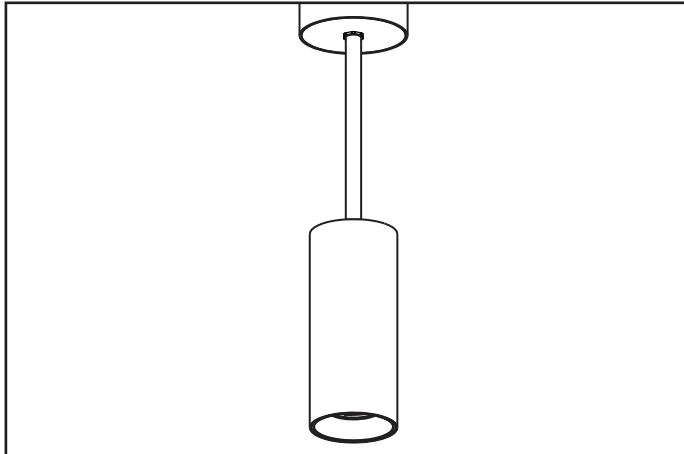
Screw another bolt on the underside of the fixture plate.



Step 8

Screw back the 4 Phillips screws removed on Step 6.

ADVANCED HIGH CEILING Orion 4 - Stem



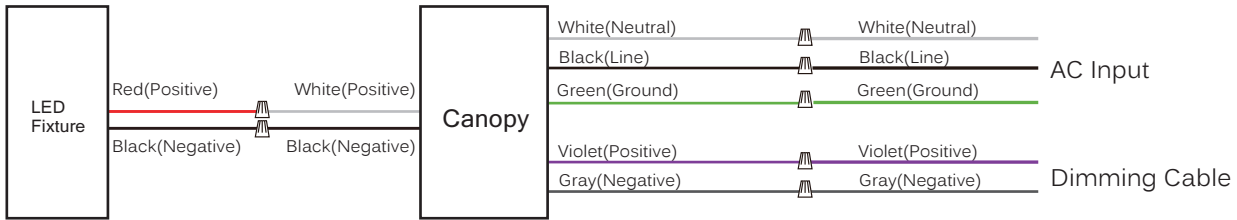
Step 9

Fixture Installation complete.

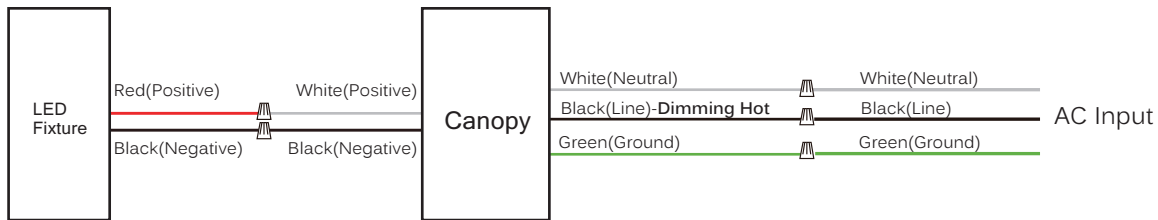
ADVANCED HIGH CEILING Orion 4 - Stem

Wiring Diagram

0-10V



TRIAC



Non-Dimming

