

# Bolt Mini - Outdoor



The all new Bolt Mini. A transformation for greater heights with new technologies, performance and optics. This mini version is compact, yet boasts a lumen package range of 7,450 lm – 28,275 lm, and is available in Outdoor and Natatorium rated options. The Bolt Mini – Outdoor version is perfect for a variety of project applications such as illuminating outdoor facades, natatoriums and for flood lighting.

Quantity	Type
Project	Note

## Electrical System

- 7,780 lm (60W)
- 11,850 lm (100W)
- 21,330 lm (150W)
- 26,295 lm (200W)
- Power Input: Universal (120-277V)
- Operating Temperature: -40°F~104°F
- Surge Protection: 4 KV

## LED Technology

- 3000K, 4000K, 5000K
- 85 CRI, 75 CRI
- Beam Angle: 30°, 60° and 100° (with diffuser)
- Rated Life > 100,000 Hours (L70)

## Advanced Dimming

(Proprietary VX Driver is incorporated to all dimming options for video flicker-free lighting)

- Standard 1-10V: dims to 10%

## Mounting

- Bracket

## EPA

- 60W/100W: 0.692 ft<sup>2</sup>
- 150W/200W: 0.719 ft<sup>2</sup>
- 60W/100W (Glare Shield Visor): 0.96 ft<sup>2</sup>
- 150W/200W (Glare Shield Visor): 0.999 ft<sup>2</sup>

## Housing

- Dimensions:
  - 60W: 4.14" (105mm) x 11" (279mm) x 9.06" (230mm)
  - 100W: 4.14" (105mm) x 11" (279mm) x 9.06" (230mm)
  - 150W: 8.26" (210mm) x 11.41" (290mm) x 9.05" (230mm)
  - 200W: 8.26" (210mm) x 11.41" (290mm) x 9.05" (230mm)
- Material: Die-Cast Aluminum, Tempered Glass
- Weight: 9.7 lbs (BLT-60/100) / 14.6 lbs (BLT-150/200)

## Warranty

- 5-year limited warranty

## Listing

- UL Wet Location Listed
- IP 65
- DLC Listed
- FCC
- CE



Not all Bolt Series are DLC qualified. For all qualified products. Please visit: [www.designlights.org/qpl](http://www.designlights.org/qpl)

# Bolt Mini - Outdoor



## How to Specify:

**Ordering Example: BLTM-200-507-UNV-STV-15-BLK-BRK-WG**

**4-5 weeks lead time on over 75% of specifications.**

Model	Wattage	CCT / CRI	Voltage	Dimming
BLTM			UNV	
BLTM	<b>60</b> 60W	<b>308</b> 3000K / CRI85	<b>UNV</b> 120-277V	<b>STV</b> Standard 1-10V dims to 10%
Bolt Mini Series	<b>100</b> 100W	<b>408</b> 4000K / CRI85		
	<b>150</b> 150W	<b>507</b> 5000K / CRI75		
	<b>200</b> 200W			

Beam Angle	Finish	Mounting	Accessories	Rating
<b>30</b> 30°	<b>BLK</b> Black	<b>BRK</b> Bracket	<b>WG</b> <sup>1</sup> Wire Guard	<b>OUT</b> <sup>1</sup> Outdoor Rating
<b>60</b> 60°	<b>WHT</b> White		<b>GSB</b> <sup>2</sup> Glare Shield Baffle	<b>NAT</b> <sup>2</sup> Natatorium Rating
<b>WD</b> * 100° (with diffuser)			<b>GSV</b> <sup>3</sup> Glare Shield Visor	
			<b>DF</b> <sup>4</sup> Diffuser	
			<b>SLP</b> * Slipfitter (Black only)	
*Please factor in change in lumen output with diffuser -20% with WD.			<sup>1</sup> Please factor in change in lumen output of -14%. <sup>2</sup> Please factor in change in lumen output of -40%. <sup>3</sup> Please factor in change in lumen output of -25%. <sup>4</sup> Please factor in change in lumen output of -20% with diffuser.	<sup>1</sup> Outdoor rating: Coating and wiring will be changed to high UV resistant and corrosion resistant materials for long term operation in outdoor environments.  <sup>2</sup> Natorium rating: Coating and sealant will be changed to high corrosion resistant materials to prevent damage from long term exposure to chlorine vapors.

## DesignLights Consortium™ Qualified Luminaires:

DLC QPL Model Number: BLT-560-50K, BLT-150-CCT-UNV, BLT-220-CCT-UNV, BLT-280-CCT-UNV

Not all product variations listed on this page are DLC qualified.

To ensure that a specific model is qualified, visit [www.designlights.org/search](http://www.designlights.org/search).

# Bolt Mini - Outdoor



## Delivered Lumens\*

Wattage	60W	100W	150W	200W
CCT	Beam Angle: 60°			
5000K	7780	11850	21330	26295
4000K	7170	10990	19125	23990
3000K	6930	10535	18355	22950

\* Tolerance  $\pm$  8%

## Current Consumption

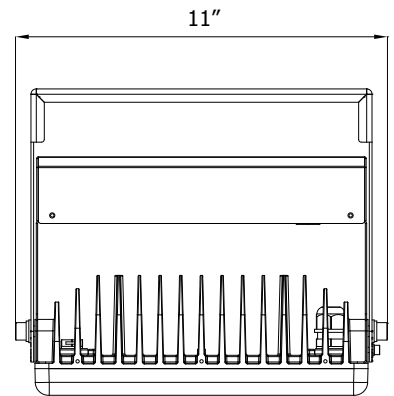
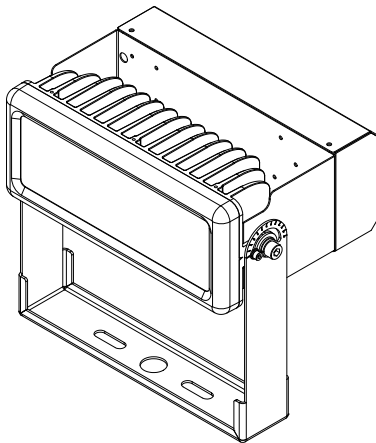
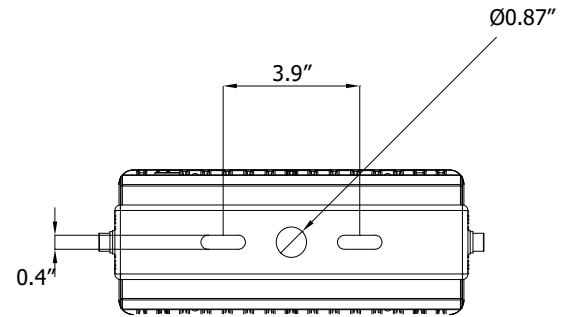
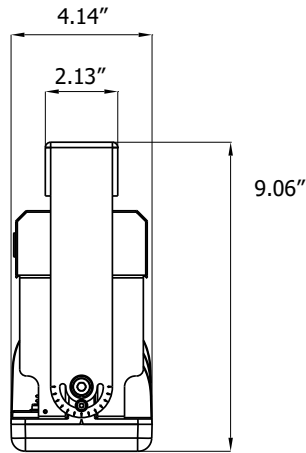
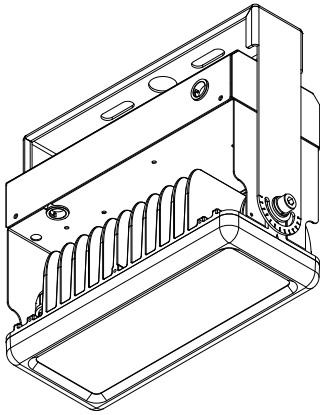
Wattage	120V	277V
60W	0.55A	0.22A
100W	0.92A	0.40A
150W	1.38A	0.60A
200W	1.83A	0.80A

# Bolt Mini - Outdoor



## Dimensions

60W / 100W

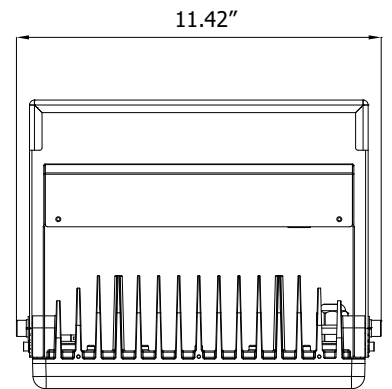
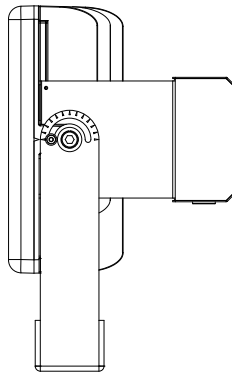
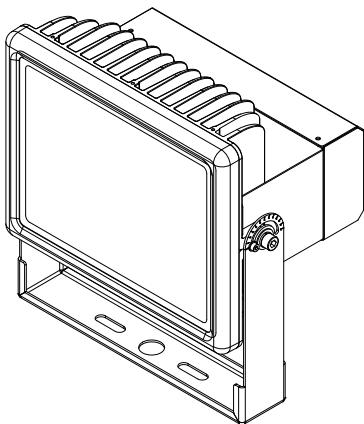
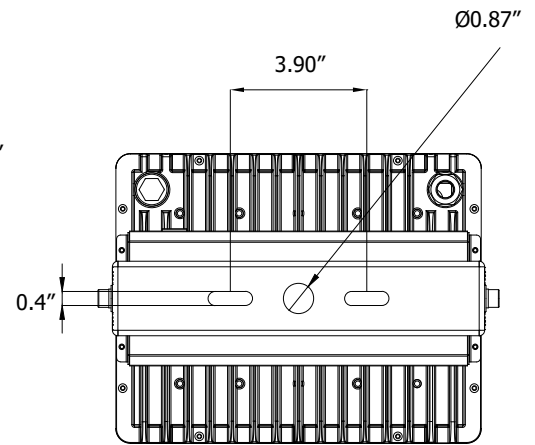
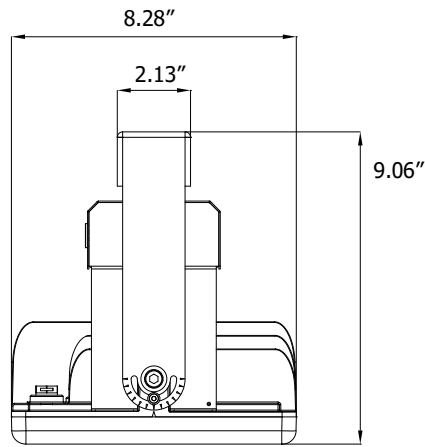
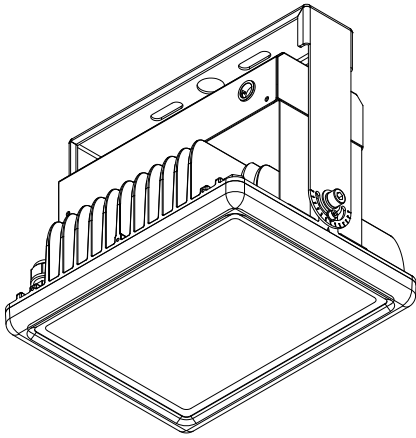


# Bolt Mini - Outdoor



## Dimensions

150W / 200W



# Bolt Mini - Outdoor

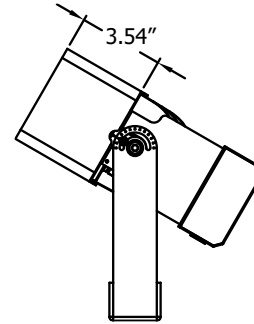
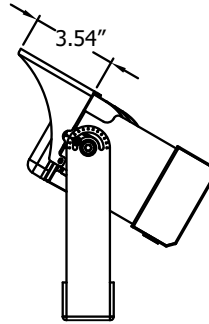


## Accessory

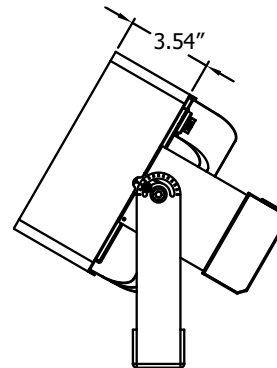
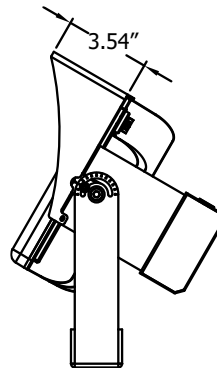
60W / 100W

150W / 200W

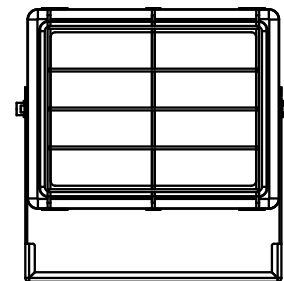
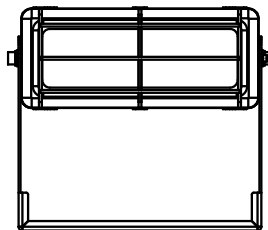
### Glare Shield Baffle



### Glare Shield Visor



### Wire Guard



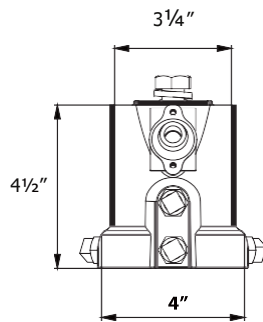
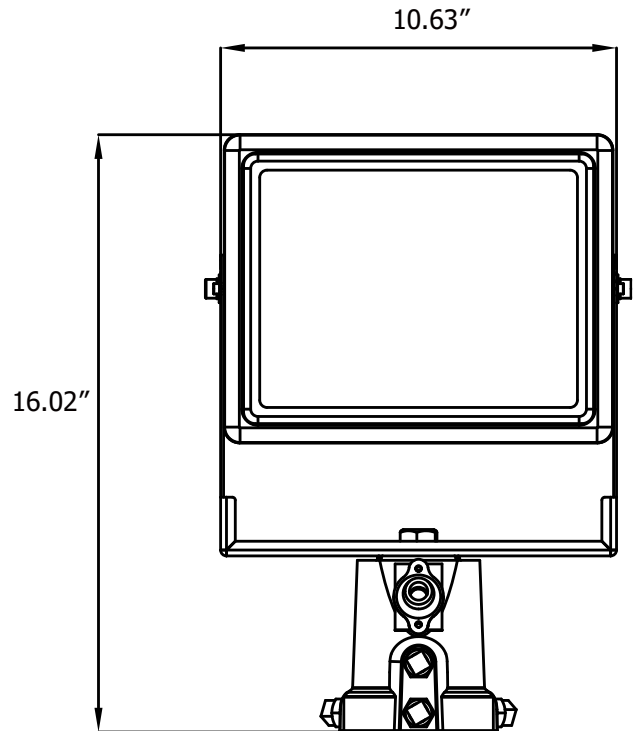
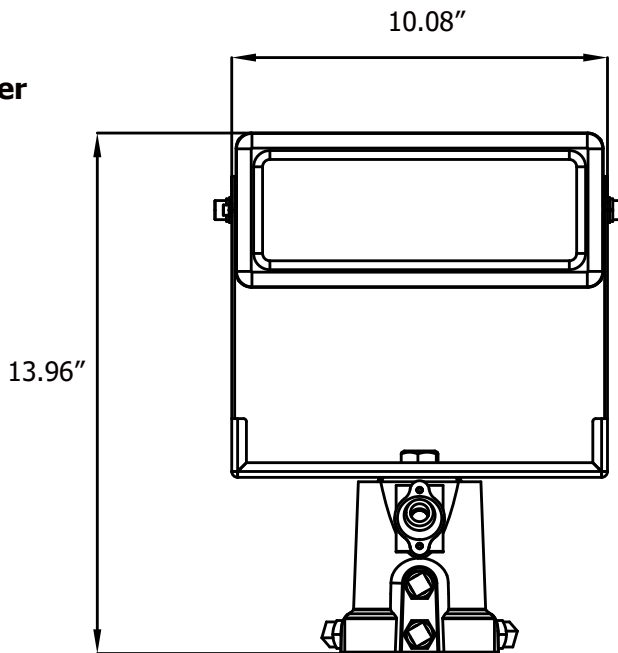
# Bolt Mini - Outdoor



60W / 100W

150W / 200W

Slipfitter



Tenon Slipfitter fits 2-3/8" to 2-7/8" OD tenon.

