

Bolt - Tunable White (ColorFlip™)



The all new Bolt series. A transformation for greater heights with new technologies, performance and optics. Tunable White color changing compatible with lumen package range of 28,000 – 32,000 lumens depending on CCT.

Quantity		Type	
Project		Note	

Delivered Lumens

ColorFlip™	3000K	3500K	4000K	4500K	5000K
DMX CCT Signal (%)	0%	25%	45%	60%	100%
0-10V CCT Voltage	0	2.5	4.5	6	10
260W	25800 lm	28365 lm	31410 lm	30905 lm	30400 lm
CRI	85	83	82	80	75

Electrical System

- 28000 lm – 32000 lm (260W)
- Power Input: Universal (120-277V); HVT (347-480V)
- Operating Temperature: -40°F~104°F
- Surge Protection: 4 KV

LED Technology

- ColorFlip™ (Tunable White: 3000K ↔ 5000K)
- Beam Angle: 30°, 60° and 100° (with diffuser)
- Rated Life > 100,000 Hours (L70)

Advanced Dimming

(Proprietary VX Driver is incorporated to all dimming options for video flicker-free lighting)

- Superior 0-10V: dims to 1%
- DMX: high resolution dims to 0.1%
- (Supports ANSI E1.20 RDM protocol)

Housing

- Dimensions: 260W: 7.87" (200mm) x 17.68" (449mm) x 11.68" (297mm)
- Material: Die-Cast Aluminum, Tempered Glass
- Weight: 24.25 lbs

Mounting

- Bracket

Warranty

- 5-year limited warranty

Listing

- UL Damp Location Listed
- FCC
- CE



Bolt - Tunable White (ColorFlip™)**How to Specify:**

Ordering Example: BLT-260-TNW-UNV-SPV-30-BLK-BRK-WG

4-5 weeks lead time on over 75% of specifications.

Model	Wattage	CCT / CRI	Voltage	Dimming
BLT			UNV	
BLT Bolt Series	260 260W	TNW 3000K-5000K	UNV 120-277V	SPV Superior 0-10V dims to 1% DMX(XLR) DMX dims to 0.1% (XLR Sockets) DMXR(RJ45) DMX dims to 0.1% (RJ45 Sockets)

Beam Angle	Finish	Mounting	Accessories
30 30° 60 60° WD* 100° (with diffuser)	BLK Black WHT White	BRK Bracket	WG ¹ Wire Guard GSB ² Glare Shield Baffle GSV ³ Glare Shield Visor DF ⁴ Diffuser
*Please factor in change in lumen output with diffuser -20% with WD.			¹ Please factor in change in lumen output of -14%. ² Please factor in change in lumen output of -40%. ³ Please factor in change in lumen output of -25%. ⁴ Please factor in change in lumen output of -20%.

Bolt - Tunable White (ColorFlip™)



Current Consumption

	Volt	120V	277V
Wattage			
260W		2.39A	1.18A

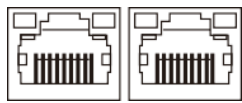
DMX Requirements

Each Bolt DMX unit has TWO CHANNELS per fixture (1 to control intensity, 1 to control color). Fixture will be controlled by DMX number controlling intensity. We do not recommend more than 32 fixtures per DMX daisy chain. When placing order, please indicate DMX address (refer to DMX Address example below). DMX address will be listed on the back of each fixture.

Fixture	DMX Address	
	Intensity Control (ex. X)	Color Control (ex. X+1)
#1	1	2
#2	3	4
#3	5	6

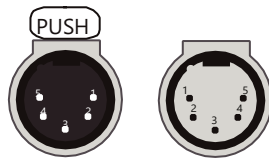
The LED fixture provide RJ45 Socket or XLR socket to connect. (DMX cable NOT included.)
The final fixture should be terminated by the use of DMX Terminator (by others).

RJ45 Sockets



DMX IN DMX OUT

XLR Sockets



DMX IN DMX OUT

CONNECTION	RJ45 (CAT5e)	5-PIN XLR
Common	WHITE/BROWN (PIN7) & BROWN (PIN 8)	PIN 1
Signal -	ORANGE (PIN 2)	PIN 2
Signal +	WHITE/ORANGE (PIN 1)	PIN 3
Spare	-	PIN 4
Spare	-	PIN 5

Compatible DMX Cabling List

DMX uses a cable consisting of two twisted pairs plus a shield to carry data. The cable must be specifically impedance matched for the digital DMX signal, meaning that microphone cable or other non-rated cable **must not be used to carry DMX**. Network cable (Cat5, 5e or 6 cable) may be used to carry DMX in an installation; however special consideration must be given to shielding and termination. Under no circumstances should solid core cable like Cat5 be terminated into a screw down connector.

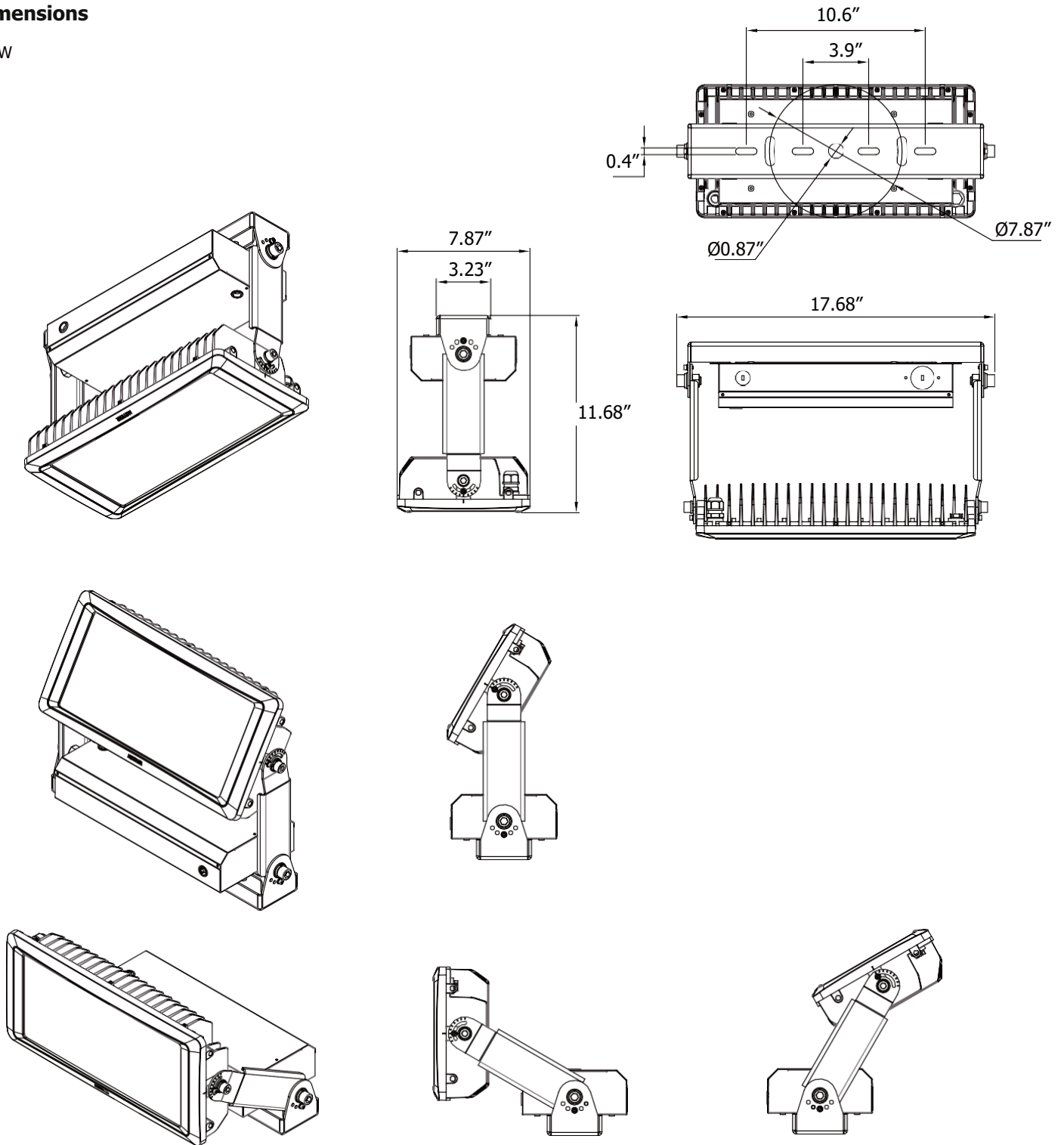
Meteor recommends the use of Belden 9729 for DMX installation. Belden 9729 is a two pair cable, which allows for a spare pair for 'out and back' type terminations if needed. Below is a list of other compatible Belden cables.

Bolt - Tunable White (ColorFlip™)



Dimensions

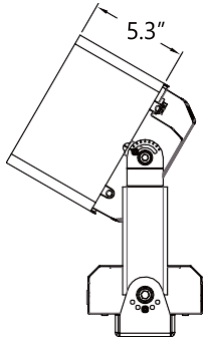
260W



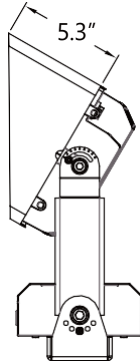
Bolt - Tunable White (ColorFlip™)



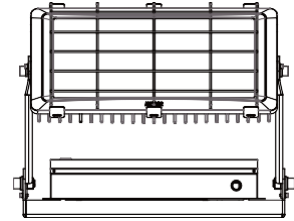
Accessories



Glare Shield Baffle



Glare Shield Visor



Wire Guard