

# Bolt - Standard



The all new Bolt series. A transformation for greater heights with new technologies, performance and optics. Lumen package range of 25,245 lm – 68,340 lm. For project applications such as convention centers, multifunctional spaces, spots facilities, and others.

Quantity	Type
Project	Note

## Electrical System

- 29700 lm (220W)
- 36400 lm (280W)
- 53000 lm (440W)
- 68340 lm (560W)
- Power Input: Universal (120-277V); HVT (347-480V)
- Operating Temperature: -40°F~104°F
- Surge Protection: 10 KV

## LED Technology

- 3000K, 4000K, 5000K
- 85 CRI, 75 CRI
- Beam Angle: 15°, 30°, 60°, 80° and 100° (with diffuser)
- Rated Life > 100,000 Hours (L70)

## Advanced Dimming

(Proprietary VX Driver is incorporated to all dimming options for video flicker-free lighting)

- Standard 1-10V: dims to 10%

## Warranty

- 5-year limited warranty

## Housing

- Dimensions:
  - 220W/280W: 7.87" (200mm) x 17.68" (449mm) x 11.68" (297mm)
  - 440W/560W: 11.68 (297mm) x 19.35 (491mm) x 16.5" (419mm)
- Material: Die-Cast Aluminum, Tempered Glass
- Weight: 24.25 lbs (BLT-220/BLT-280) / 48.5 lbs (BLT-440/560)

## Mounting

- Bracket
- Uplight Stem 2 ft / 4 ft
- Downlight Stem 2 ft / 4 ft
- Up/Down Stem 2 ft / 4 ft

## EPA

- 220W/280W: 1.434 ft<sup>2</sup>
- 440W/560W: 2.258 ft<sup>2</sup>
- 220W/280W (Glare Shield Visor): 2.085 ft<sup>2</sup>
- 440W/560W (Glare Shield Visor): 2.929 ft<sup>2</sup>

## Listing

- UL Damp Location Listed
- DLC Listed
- FCC
- CE



Not all Bolt Series are DLC qualified. For all qualified products. Please visit: [www.designlights.org/qpl](http://www.designlights.org/qpl)

# Bolt - Standard



## How to Specify:

**Ordering Example: BLT-560-507-UNV-STV-15-BLK-BRK-WG**

**4-5 weeks lead time on over 75% of specifications.**

Model	Wattage	CCT / CRI	Voltage	Dimming
BLT			UNV	
BLT	<b>220</b> 220W	<b>308</b> 3000K / CRI85	<b>UNV</b> 120-277V	<b>STV</b> Standard 1-10V dims to 10%
Bolt Series	<b>280</b> 280W	<b>408</b> 4000K / CRI85	<b>HVT</b> 348-480V	
	<b>440</b> 440W	<b>507</b> 5000K / CRI75		
	<b>560</b> 560W			

Beam Angle	Finish	Mounting	Accessories
<b>15</b> 15°	<b>BLK</b> Black	<b>BRK</b> Bracket	<b>WG<sup>1</sup></b> Wire Guard
<b>30</b> 30°	<b>WHT</b> White	<b>US2</b> Uplight Stem 2 ft	<b>GSB<sup>2</sup></b> Glare Shield Baffle
<b>60</b> 60°		<b>US4</b> Uplight Stem 4 ft	<b>GSV<sup>3</sup></b> Glare Shield Visor
<b>80</b> 80°		<b>DS2</b> Downlight Stem 2 ft	<b>DF<sup>4</sup></b> Diffuser
<b>WD*</b> 100° (with diffuser)		<b>DS4</b> Downlight Stem 4 ft	<b>SLP*</b> Slipfitter (Black only)
		<b>UDS2</b> Up/Down Stem 2 ft	
		<b>UDS4</b> Up/Down Stem 4 ft	
*Please factor in change in lumen output with diffuser -20% with WD.			<sup>1</sup> Please factor in change in lumen output of -14%. <sup>2</sup> Please factor in change in lumen output of -40%. <sup>3</sup> Please factor in change in lumen output of -25%. <sup>4</sup> Please factor in change in lumen output of -20%. *Slipfitter is only compatible with BRK

## DesignLights Consortium™ Qualified Luminaires:

DLC QPL Model Number: BLT-560-50K, BLT-280-CCT-UNV

Not all product variations listed on this page are DLC qualified.

To ensure that a specific model is qualified, visit [www.designlights.org/search](http://www.designlights.org/search).

# Bolt - Standard

## Delivered Lumens

Wattage	220W	280W	440W	560W
CCT	Beam Angle: 15°			
5000K	29700 lm	36400 lm	53000 lm	68340 lm
4000K	26730 lm	32760 lm	47700 lm	61500 lm
3000K	25245 lm	30940 lm	45050 lm	58090 lm

\* Tolerance  $\pm 8\%$ 

## Current Consumption

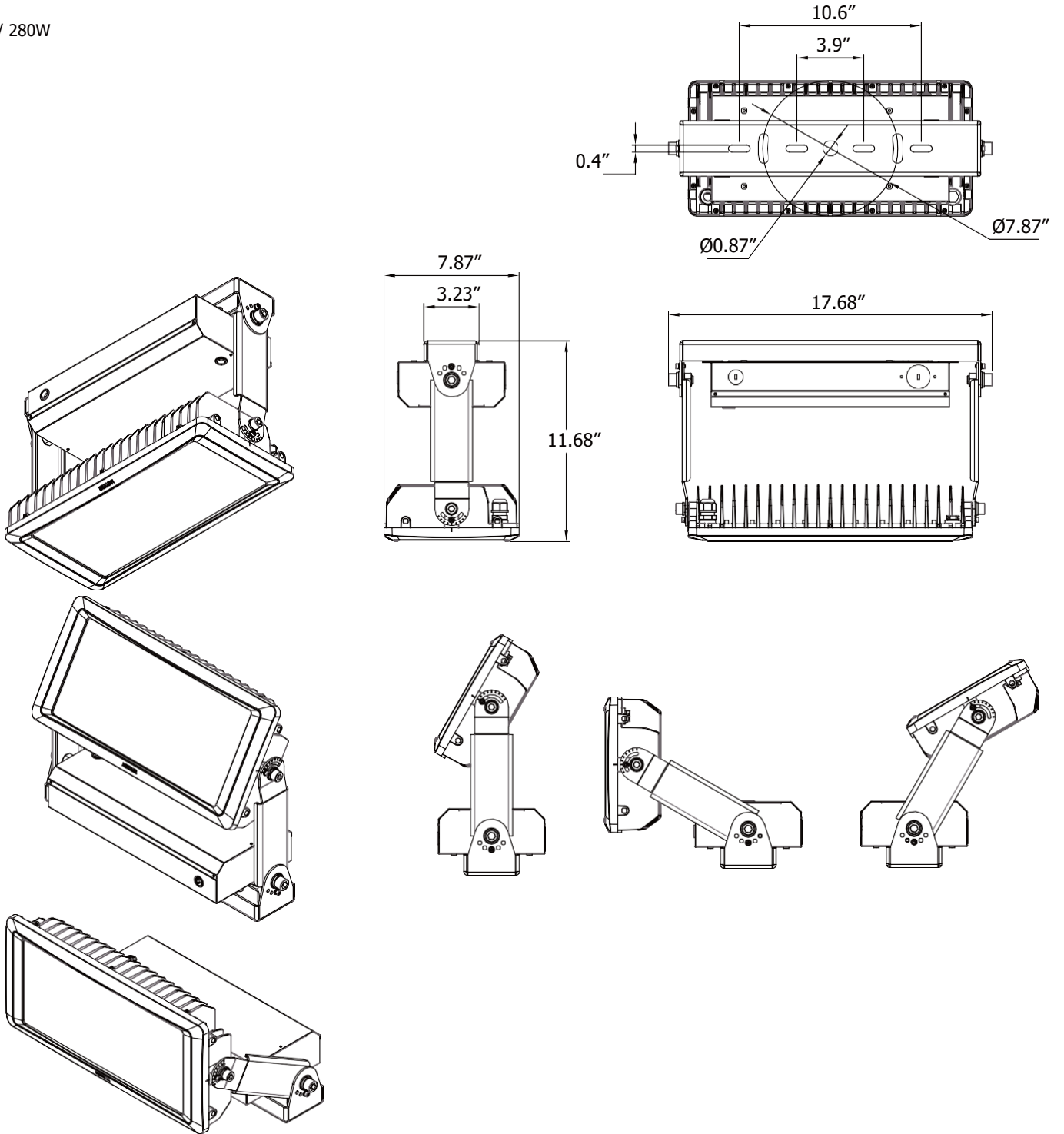
Wattage	Volt	
	120V	277V
<b>220W</b>	2.02A	0.87A
<b>280W</b>	2.57A	1.11A
<b>440W</b>	4.03A	1.75A
<b>560W</b>	5.13A	2.22A

# Bolt - Standard



## Dimensions

220W / 280W

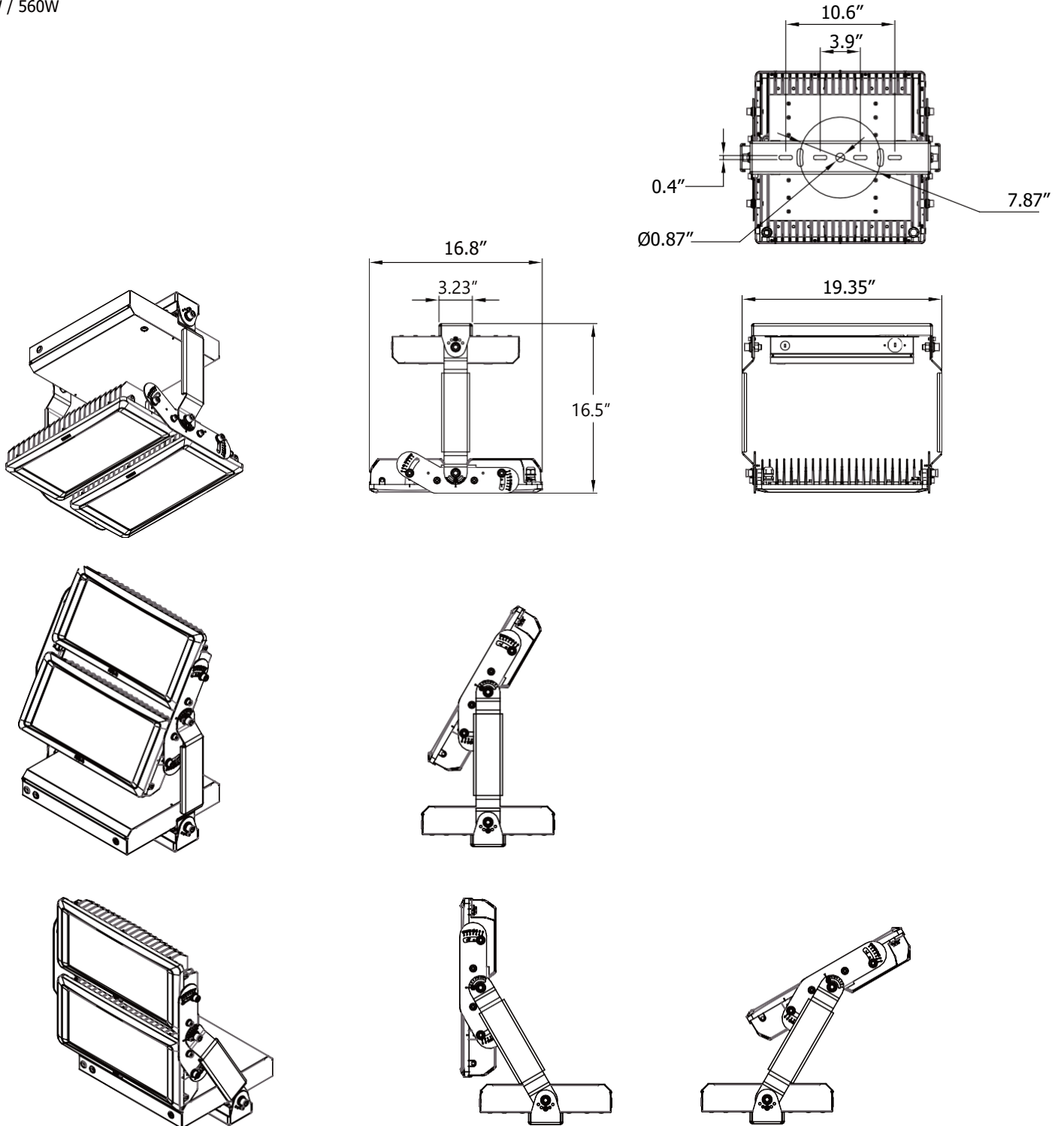


# Bolt - Standard



## Dimensions

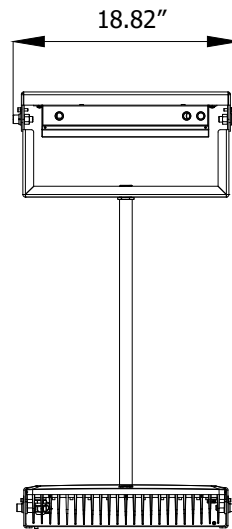
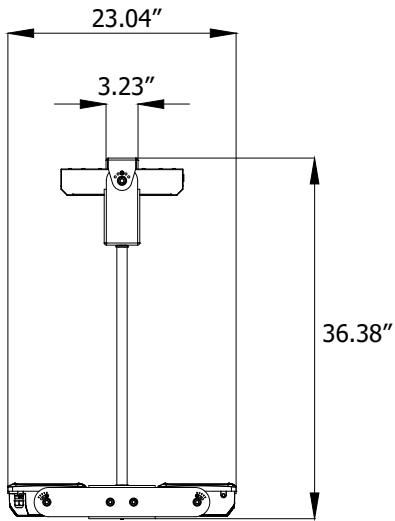
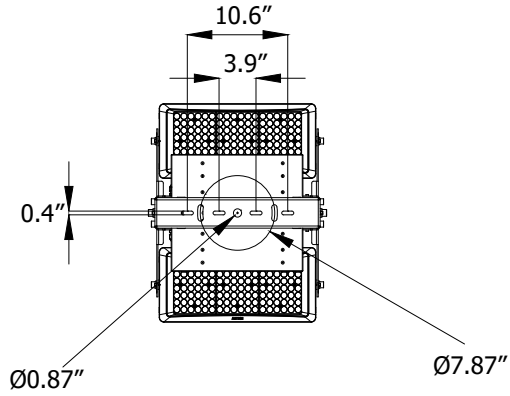
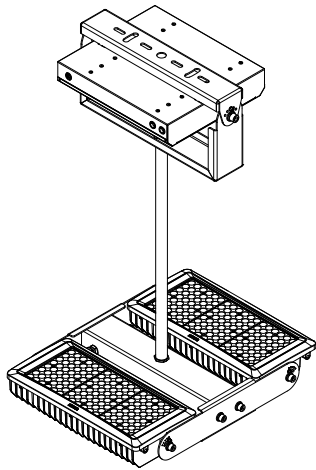
440W / 560W



# Bolt - Standard

## Dimensions

Uplight Only & Downlight Only Stem - 2 ft / 4 ft

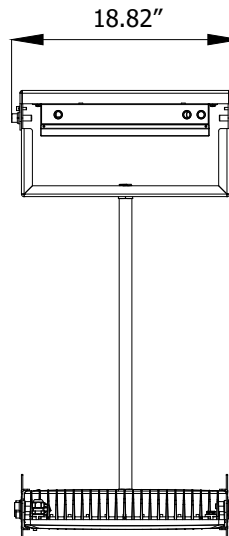
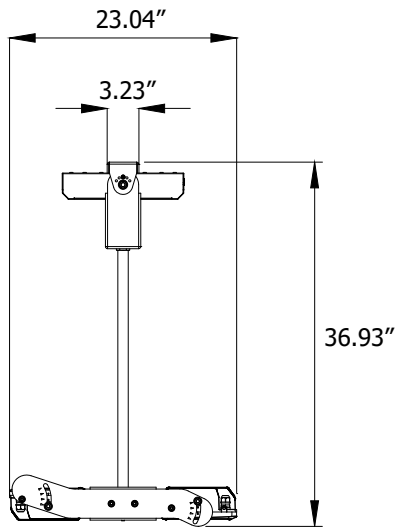
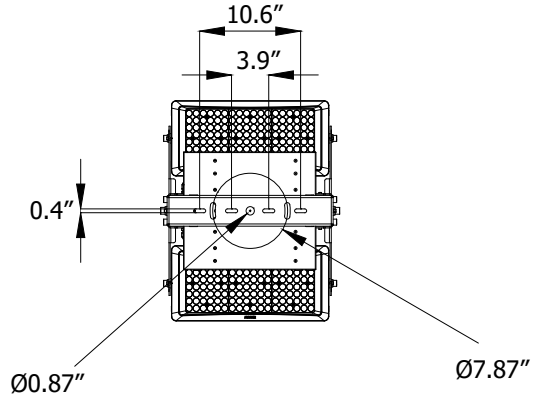
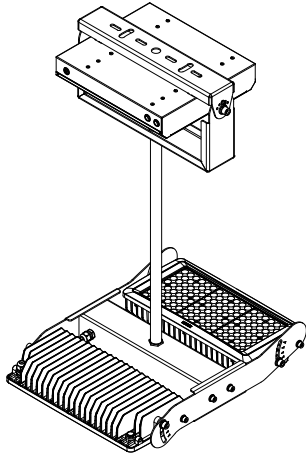


# Bolt - Standard



## Dimensions

Up/Down Stem - 2 ft / 4 ft

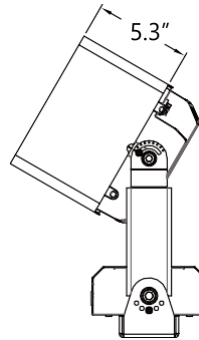


# Bolt - Standard

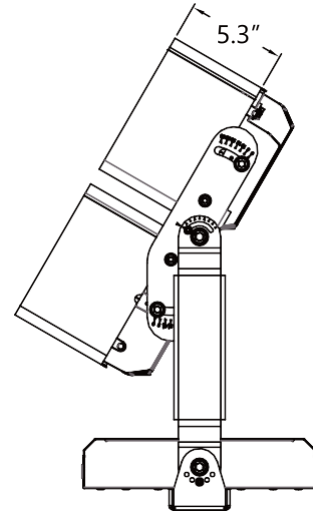


## Accessory

### Glare Shield Baffle

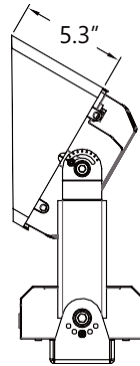


220W/280W

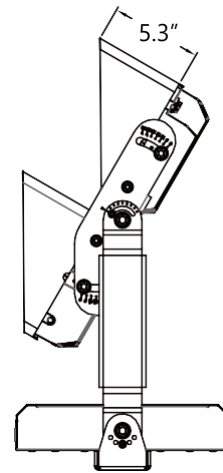


440W/560W

### Glare Shield Visor

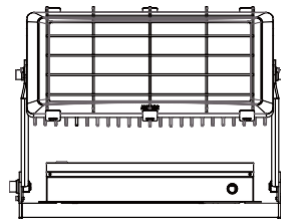


220W/280W

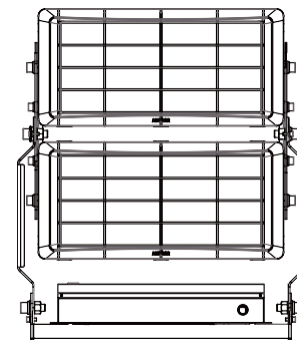


440W/560W

### Wire Guard



220W/280W



440W/560W



# Bolt - Standard



## Slipfitter

