

# Lance 6 - W+RGB-Up-and-Down



## High Performing Outdoor Luminaire

Built to last, the Lance 6 is a 6-inch round outdoor wall mount cylinder with a combined lumen package range from 3,430 lm to 10,018 lm.

Available in a variety of configurations, this IP 65 rated luminaire has W+RGB color tuning technology to make a bold architectural statement.

Quantity		Type	
Project		Note	

### Electrical System

- 3430 lm (60W) Uplight: 30W / Downlight: 30W
- Power Input: Universal (120/277V)
- Operating Temperature: 14°F~104°F
- Surge Protection: 2.5KV

### LED Technology

- Wavelength: R 645 nm, G 520 nm, B 445 nm
- 3000K White
- 85 CRI, 93 CRI
- Beam Angle:
  - Down: 40°, 60°, WD
  - Up: 40°, 60°, WD
- Rated Life >60,000 Hours (L70)

### Housing

- Diameter: 6.37" (162mm)
- Height: 20" (508.5mm)
- Material: Aluminum
- Weight: 15.2 lbs

### Warranty

- 5 year limited warranty

### Listing

- ETL Wet Location Listed
- IP65

### Advanced Dimming

(Proprietary VX Driver is incorporated to all dimming options for video flicker-free lighting)

- DMX: high resolution dims to 0.1% (Up/Down Dims Together)  
(Supports ANSI E1.20 RDM protocol)



# Lance 6 - W+RGB-Up-and-Down




## How To Specify:

**Ordering Example: LA6-60-308C-UNV-DMX-4040-BLK-OUT-FW**

**4-5 weeks lead time on over 75% of specifications.**

Model	Wattage	CCT / CRI	Voltage
<b>LA6</b>			<b>UNV</b>
LA6 Lance 6	<b>60</b> Downlight: 30W Uplight: 30W	<b>308C</b> 3000K / CRI85+RGB	<b>UNV</b> 120/277V
NOTE: Contact Factory for only downlight option			

Dimming	Beam Angle	Color	Finish	Accessories
<b>DMX</b>				
<b>DMX</b> DMX dims to 0.1% (Up/Down Together)	Downlight <b>40</b> 40° <b>60</b> 60° <b>WIDE</b> <sup>1</sup> WIDE Uplight <b>40</b> 40° <b>60</b> 60° <b>WIDE</b> <sup>1</sup> WIDE <sup>1</sup> Please factor in change in lumen output of -12%	<b>BLK</b> Black <b>WHT</b> White <b>GRY</b> Gray <b>BRZ</b> Bronze  BLK WHT GRY BRZ	<b>STD</b> Standard <b>NAT</b> Natatorium Rated <b>MAR</b> Marine Finish	<b>FW</b> <sup>1</sup> Forward Throw <b>WW</b> <sup>1</sup> Wall Wash 20° <b>LL</b> <sup>1</sup> Linear Lens <sup>1</sup> Please factor in change in lumen output of -20%

**Lance 6 - W+RGB-Up-and-Down****Delivered Lumens\***

	Uplight		Downlight	
Wattage	30W		30W	
CCT	Beam Angle:40°			
R	5 W	75 lm	5 W	75 lm
G	5 W	505 lm	5 W	505 lm
B	5 W	61 lm	5 W	61 lm
W	15 W	1074 lm	15 W	1074 lm

\*Tolerance±

**Current Consumption**

Wattage	Volt	120V	277V
60W		0.55A	0.24A

**DMX Requirements\***

The Lance 6 fixture with DMX is a FOUR CHANNEL DMX unit.

Fixture	DMX Address			
	Red Control (ex. X) Uplight & Downlight	Green Control (ex. X+1) Uplight & Downlight	Blue Control (ex. X+2) Uplight & Downlight	White Control (ex. X+3) Uplight & Downlight
#1	1	2	3	4
#2	5	6	7	8
#3	9	10	11	12

- When placing order, please indicate DMX address. (The DMX address will be listed on the back of the fixture.)
- The LED fixture will have 2 DMX positive / Negative wires for connection.
- The final fixture should be terminated by the use of DMX Terminator (by others).

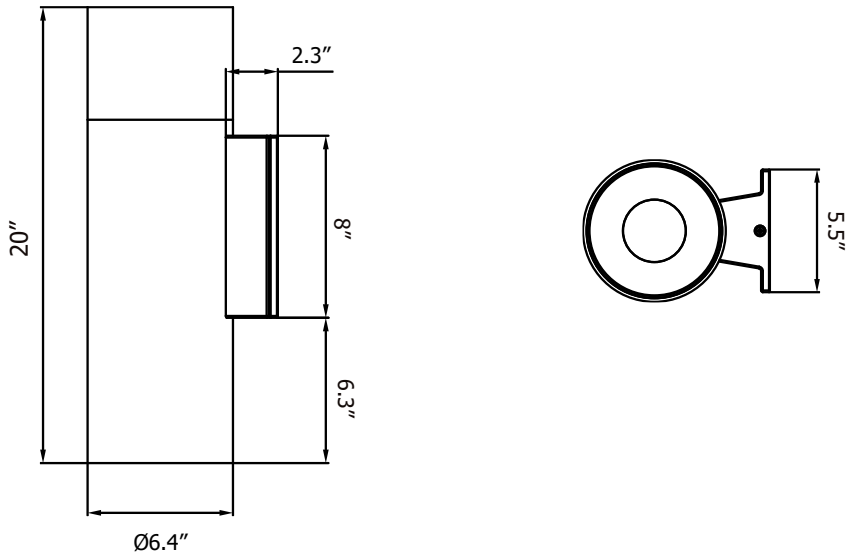
**Compatible DMX Cabling List**

DMX uses a cable consisting of two twisted pairs plus a shield to carry data. The cable must be specifically impedance matched for the digital DMX signal, meaning that microphone cable or other non-rated cable **must not be used to carry DMX**. Network cable (Cat5, 5e or 6 cable) may be used to carry DMX in an installation; however special consideration must be given to shielding and termination. Under no circumstances should solid core cable like Cat5 be terminated into a screw down connector.

Meteor recommends the use of Belden 9729 for DMX installation. Belden 9729 is a two pair cable, which allows for a spare pair for 'out and back' type terminations if needed. Below is a list of other compatible Belden cables.

# Lance 6 - W+RGB-Up-and-Down

## Dimensions



60W