

Lance 6 - W+RGB-Up-and-Down



High Performing Outdoor Luminaire

Built to last, the Lance 6 is a 6-inch round outdoor wall mount cylinder with a combined lumen package range from 3,430 lm to 10,018 lm.

Available in a variety of configurations, this IP 65 rated luminaire has W+RGB color tuning technology to make a bold architectural statement.

Quantity		Type	
Project		Note	

Electrical System

- 3430 lm (60W) Uplight: 30W / Downlight: 30W
- Power Input: Universal (120-277V)
- Operating Temperature: 14°F~104°F
- Surge Protection: 2.5KV
-

LED Technology

- Wavelength: R 645 nm, G 520 nm, B 445 nm
- 3000K White
- 85 CRI, 93 CRI
- Beam Angle:
Down: 40°, 60°, WD
Up: 40°, 60°, WD
- Rated Life > 60,000 Hours (L70)

Advanced Dimming

- (Proprietary VX Driver is incorporated to all dimming options for video flicker-free lighting)
- DMX: high resolution dims to 0.1% (Up/Down Dims Together)
(Supports ANSI E1.20 RDM protocol)

Housing

- Diameter: 6.37" (162mm)
- Height: 20" (508.5mm)
- Material: Aluminum
- Weight: 15.2 lbs

Warranty

- 5 year limited warranty

Listing

- ETL Wet Location Listed
- IP65



Lance 6 - W+RGB-Up-and-Down




How To Specify:

Ordering Example: LA6-60-308C-UNV-DMX-4040-BLK

4-5 weeks lead time on over 75% of specifications.

Model	Wattage	CCT / CRI	Voltage
LA6			UNV
LA6 Lance 6	60 Downlight: 30W Uplight: 30W	308C 3000K / CRI85+RGB NA Architectural Gold	UNV 120-277V
NOTE: Contact Factory for only downlight option			

Dimming	Beam Angle	Color	Finish	Accessories
DMX				
DMX DMX dims to 0.1% (Up/Down Together)	Downlight 40 40° 60 60° WIDE ¹ WIDE Uplight 40 40° 60 60° WIDE ¹ WIDE ¹ Please factor in change in lumen output of -12%	BLK Black WHT White GRY Gray BRZ Bronze  BLK WHT GRY BRZ	OUT Outdoor Rated NAT Natatorium Rated MAR Marine Finish	FW ¹ Forward Throw WW ¹ Wall Wash 20° LL ¹ Linear Lens HC ² Honeycomb Louver ¹ Please factor in change in lumen output of -20% ² Please factor in change in lumen output of -30%. Honeycomb Louver applicable only to downlight.

Lance 6 - W+RGB-Up-and-Down**Delivered Lumens***

	Uplight		Downlight	
Wattage	30W		30W	
CCT	Beam Angle:40°			
R	5 W	75 lm	5 W	75 lm
G	5 W	505 lm	5 W	505 lm
B	5 W	61 lm	5 W	61 lm
W	15 W	1074 lm	15 W	1074 lm

*Tolerance±

Current Consumption

Wattage	Volt	120V	277V
60W		0.55A	0.24A

DMX Requirements*

The Lance 6 fixture with DMX is a FOUR CHANNEL DMX unit.

Fixture	DMX Address			
	Red Control (ex. X) Uplight & Downlight	Green Control (ex. X+1) Uplight & Downlight	Blue Control (ex. X+2) Uplight & Downlight	White Control (ex. X+3) Uplight & Downlight
#1	1	2	3	4
#2	5	6	7	8
#3	9	10	11	12

- When placing order, please indicate DMX address. (The DMX address will be listed on the back of the fixture.)
- The LED fixture will have 2 DMX positive / Negative wires for connection.
- The final fixture should be terminated by the use of DMX Terminator (by others).

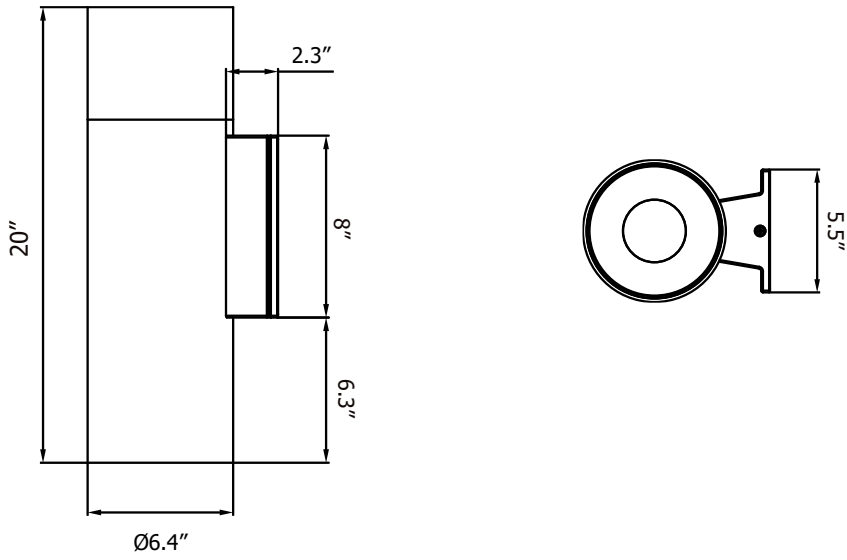
Compatible DMX Cabling List

DMX uses a cable consisting of two twisted pairs plus a shield to carry data. The cable must be specifically impedance matched for the digital DMX signal, meaning that microphone cable or other non-rated cable **must not be used to carry DMX**. Network cable (Cat5, 5e or 6 cable) may be used to carry DMX in an installation; however special consideration must be given to shielding and termination. Under no circumstances should solid core cable like Cat5 be terminated into a screw down connector.

Meteor recommends the use of Belden 9729 for DMX installation. Belden 9729 is a two pair cable, which allows for a spare pair for 'out and back' type terminations if needed. Below is a list of other compatible Belden cables.

Lance 6 - W+RGB-Up-and-Down

Dimensions



60W