

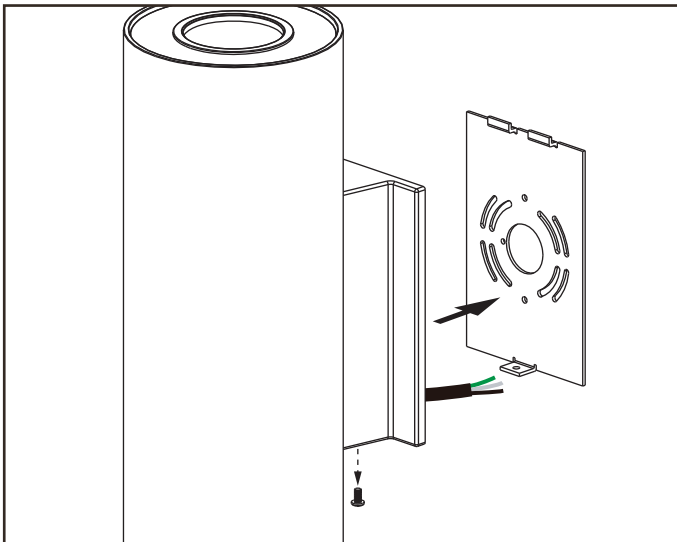
ADVANCED HIGH CEILING Lance 6 - Wall Mount



IMPORTANT SAFETY INFORMATION. READ AND FOLLOW ALL SAFETY INSTRUCTIONS

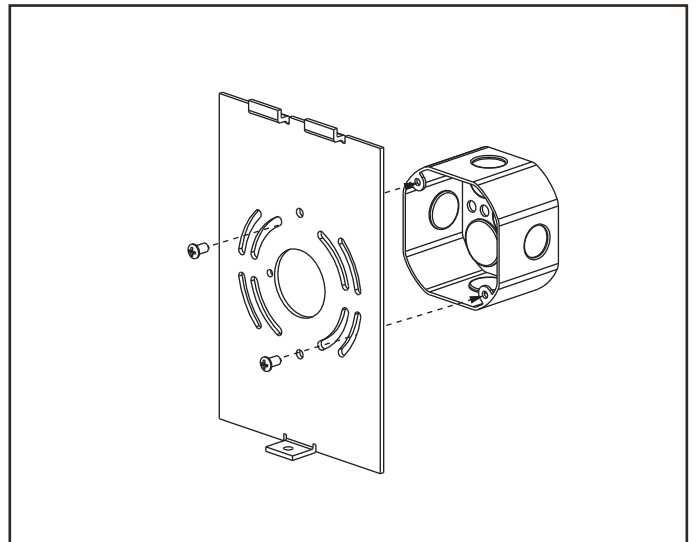
IMPORTANT SAFETY INFORMATION. READ AND FOLLOW ALL SAFETY INSTRUCTIONS. Before wiring to power supply and during servicing or relamping, turn off power at fuse or circuit breaker. All servicing or relamping must be performed by qualified service personnel. Product must be grounded to avoid potential electric shock or other potential hazard. Product must be at locations and at heights and in a manner consistent with its intended use, and in compliance with Electrical Code and local codes.

SAVE THESE INSTRUCTIONS FOR FUTURE REFERENCE.



Step 1

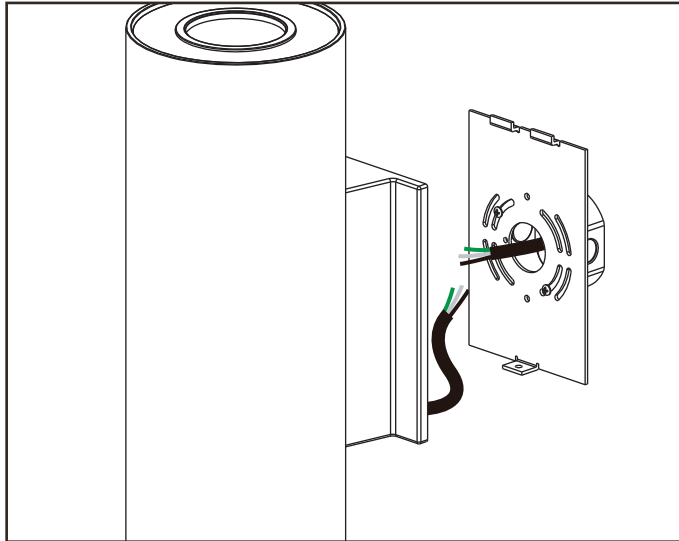
Detach mounting plate from cylinder.



Step 2

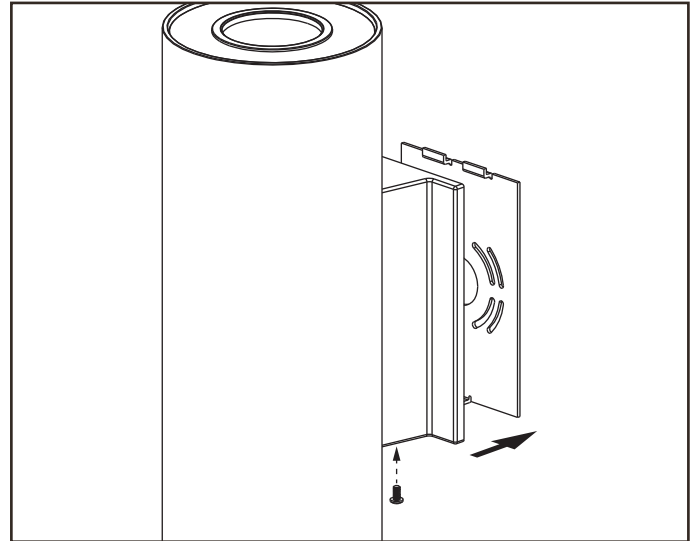
Attach mounting plate to junction box with screws from junction box (by others).

ADVANCED HIGH CEILING Lance 6 - Wall Mount



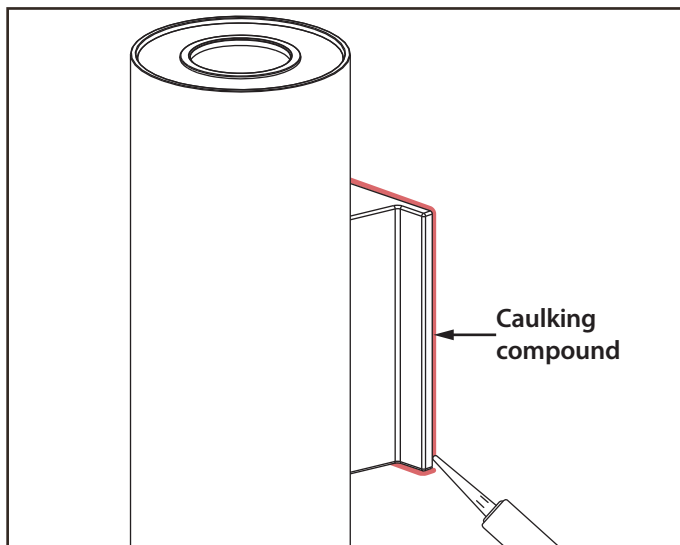
Step 3

Make electrical connections depending on dimming type (see wiring diagram).



Step 4

Attach cylinder fixture to mounting plate and secure by tightening the screw.



Step 5

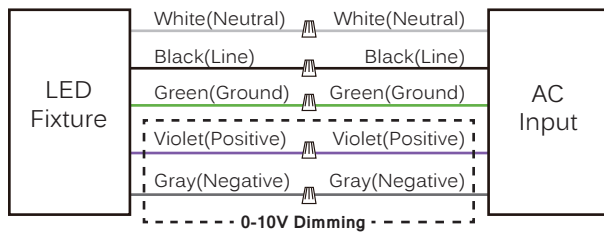
Fixtures used in wet locations, place a bead of silicone-based caulking compound along where the mounting bracket meets the wall on the top and on each side.

ADVANCED HIGH CEILING Lance 6 - Wall Mount

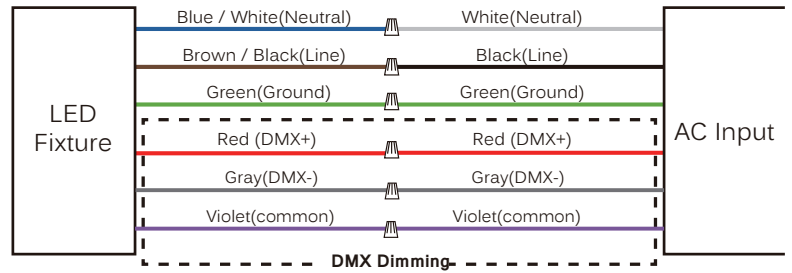


Wiring Diagram

STVD/SPVD



DMX



STVS/SPVS

