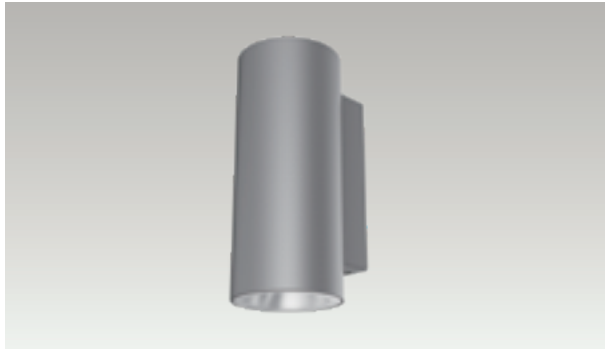


ADVANCED HIGH CEILING

# Lance 4 - White Up / Down



## High Performing Outdoor Luminaire

Built to last, the Lance 4 is a 4-inch round outdoor wall mount cylinder with a combined lumen package range from 1,460 lm to 2,400 lm. Available in a variety of configurations, this IP 65 rated luminaire has a variety of optics to help make a bold architectural statement.

Quantity	Type
Project	Note

### Electrical System

- 1620 lm (20W) Uplight: 10W / Downlight: 10W
- 2400 lm (30W) Uplight: 15W / Downlight: 15W
- Power Input: Universal (120-277V)
- Operating Temperature: -4°F~113°F
- Surge Protection: 2.5KV
- Power Factor Greater than 0.9

### LED Technology

- 2700K, 3000K, 3500K, 4000K, NA
- 85 CRI, 93 CRI
- Beam Angle:
  - Down: 15°, 30°, 45°, 60°
  - Up: 15°, 30°, 45°, 60°
- Rated Life > 60,000 Hours (L70)

### Advanced Dimming

(Proprietary VX Driver is incorporated to all dimming options for video flicker-free lighting)

- Standard 0-10V: dims to 10%
- Superior 0-10V: dims to 1%
- TRIAC: Line-voltage phase control, dims to 1% (120V only)

### Housing

- Diameter: 4" (102mm)
- Height: 9.5" (240mm)
- Material: Aluminum
- Weight: 9.2 lbs

### Warranty

- 5 year limited warranty

### Listing

- ETL Wet Location Listed
- IP65



# Lance 4 - White Up / Down



## How To Specify:

Ordering Example: LA4-20-408-UNV-SPV-3535-BLK

4-5 weeks lead time on over 75% of specifications.

Model	Wattage	CCT / CRI	Voltage	Dimming
<input type="text" value="LA4"/> LA4 Lance 4	<input type="text"/> 20 Downlight: 10W   Uplight: 10W 30 Downlight: 15W   Uplight: 15W	<input type="text"/> 278 2700K / CRI85 308 3000K / CRI85 358 3500K / CRI85 408 4000K / CRI85 279 2700K / CRI93 309 3000K / CRI93 359 3500K / CRI93	<input type="text" value="UNV"/> UNV 120-277V	<input type="text"/> NOD Non-Dimming STV Standard 0-10V dims to 10% SPV Superior 0-10V dims to 1% TRC TRIAC dims to 1% (120V only)
NOTE: Contact Factory for only downlight option				

Beam Angle	Color	Finish	Accessories
<input type="text"/> Downlight:   Uplight: 15 15°   15 15° 30 30°   30 30° 45 45°   45 45° 60 <sup>1</sup> 60°   60 <sup>1</sup> 60° WD <sup>1</sup> WIDE   WD <sup>1</sup> WIDE	<input type="text"/> BLK Black WHT White GRY Gray BRZ Bronze	<input type="text"/> STD Standard NAT Natatorium Rated MAR Marine Finish	<input type="text"/> FW <sup>1</sup> Forward Throw WW <sup>1</sup> Wall Wash 20° LL <sup>1</sup> Linear Lens HC <sup>2</sup> Honeycomb Louver SL <sup>3</sup> Solite Lens
<sup>1</sup> Please factor in change in lumen output of -12%			<sup>1</sup> Please factor in change in lumen output of -20% <sup>2</sup> Please factor in change in lumen output of -30% <sup>3</sup> Please factor in change in lumen output of -15%

# Lance 4 - White Up / Down

## Delivered Lumens\*

CCT	20W		30W	
	UP (10W)	DOWN (10W)	UP (15W)	DOWN (15W)
4000K	729 lm	729 lm	1080 lm	1080 lm
3500K	707 lm	707 lm	1049 lm	1049 lm
3000K	684 lm	684 lm	1017 lm	1017 lm
2700K	657 lm	657 lm	972 lm	972 lm

## Current Consumption

Wattage	Volt	
	120V	277V
20W	0.2A	0.09A
30W	0.3A	0.13A

\*Tolerance ± 8%

## Dimensions

