

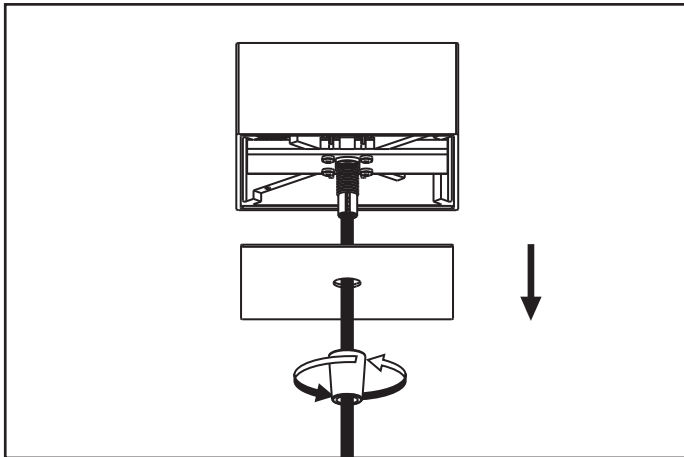
# ADVANCED HIGH CEILING Edge 4 - Cord Mount



## IMPORTANT SAFETY INFORMATION. READ AND FOLLOW ALL SAFETY INSTRUCTIONS

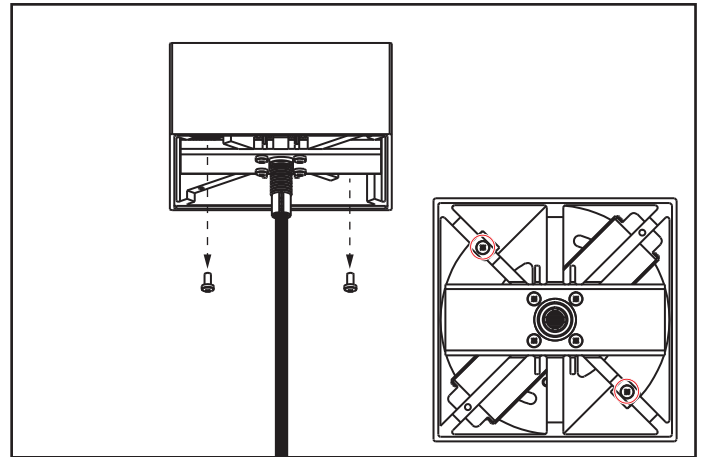
IMPORTANT SAFETY INFORMATION. READ AND FOLLOW ALL SAFETY INSTRUCTIONS. Before wiring to power supply and during servicing or relamping, turn off power at fuse or circuit breaker. All servicing or relamping must be performed by qualified service personnel. Product must be grounded to avoid potential electric shock or other potential hazard. Product must be at locations and at heights and in a manner consistent with its intended use, and in compliance with Electrical Code and local codes.

SAVE THESE INSTRUCTIONS FOR FUTURE REFERENCE.



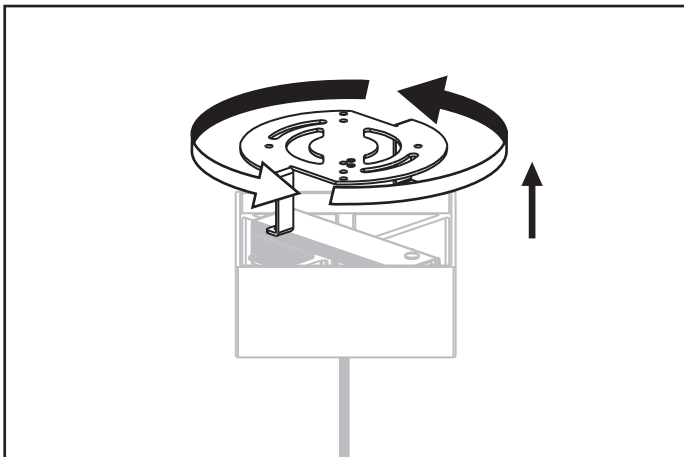
### Step 1

Unscrew the Cord Grip by turning anti-clockwise and this will loosen the canopy plate.



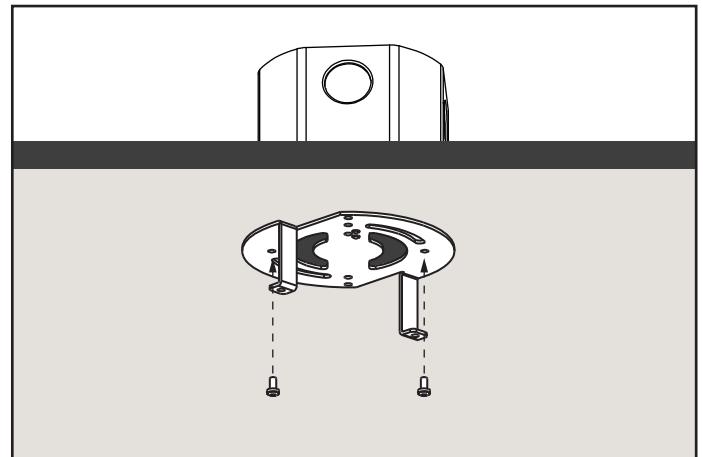
### Step 2

Unscrew the 2 Phillips screws on either side as indicated to unlock the cross bar.



### Step 3

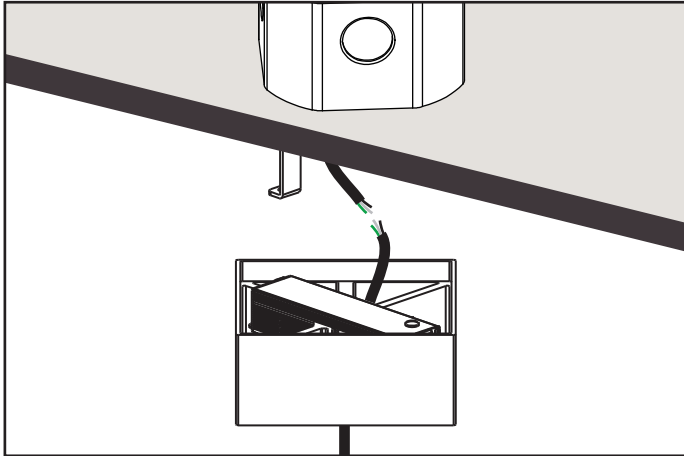
Turn the crossbar clockwise and remove.



### Step 4

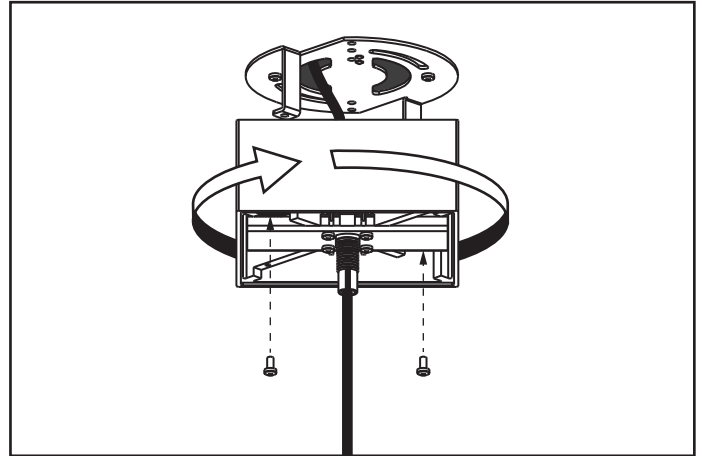
Screw the crossbar to the desired place on the ceiling and screw in place.

# ADVANCED HIGH CEILING Edge 4 - Cord Mount



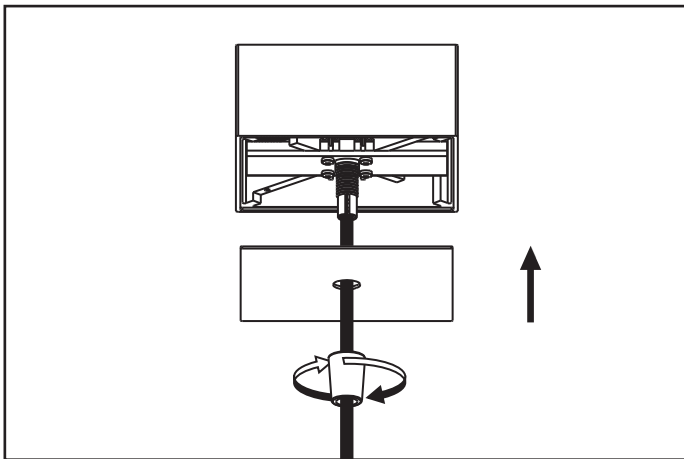
## Step 5

Connect the wires according to the WIRING DIAGRAM provided.



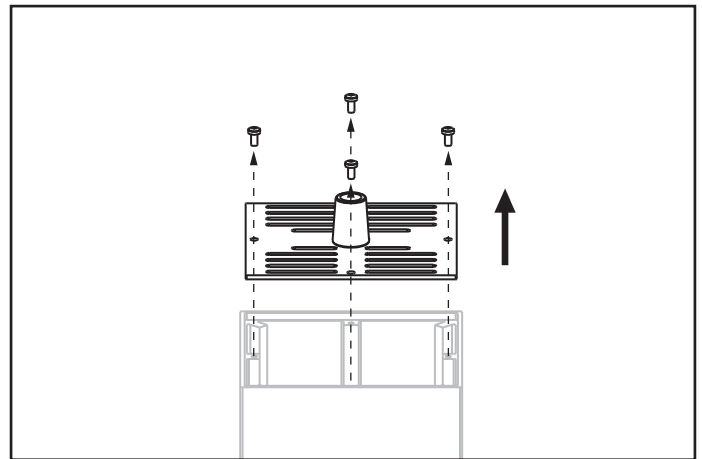
## Step 6

Align the canopy to the crossbar and turn clockwise to lock it in place and screw in place.



## Step 7

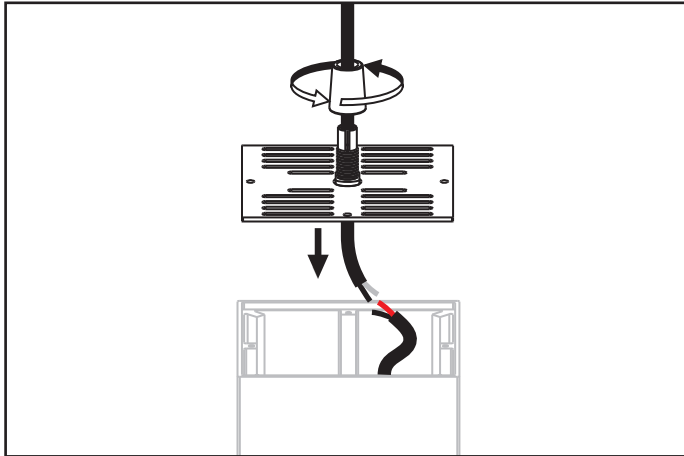
Push the canopy plate up and secure it in place by tightening the cord grip clockwise.



## Step 8

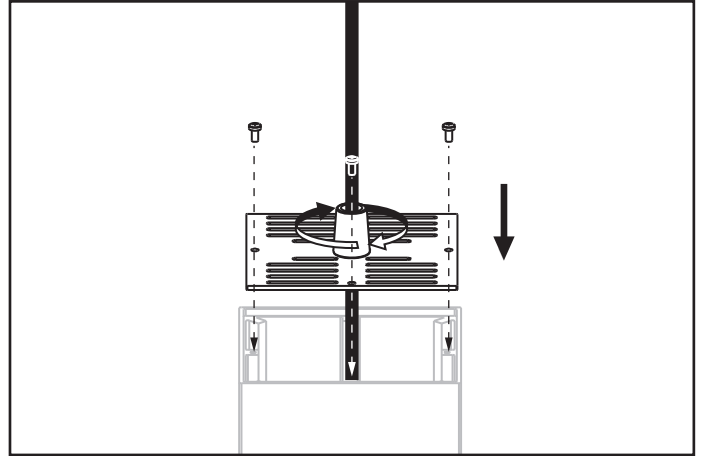
Remove 4 Phillips screws holding the fixture plate and put aside.

## ADVANCED HIGH CEILING Edge 4 - Cord Mount



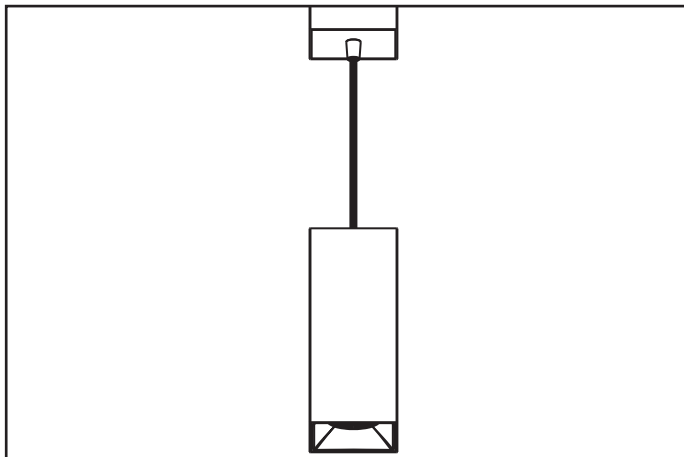
### Step 9

Loosen the Cord Grip by turning anti-clockwise, push the cable through the gripper and connect the wires according to the WIRING DIAGRAM provided.



### Step 10

Screw back the 4 Phillips screws removed on Step 8.



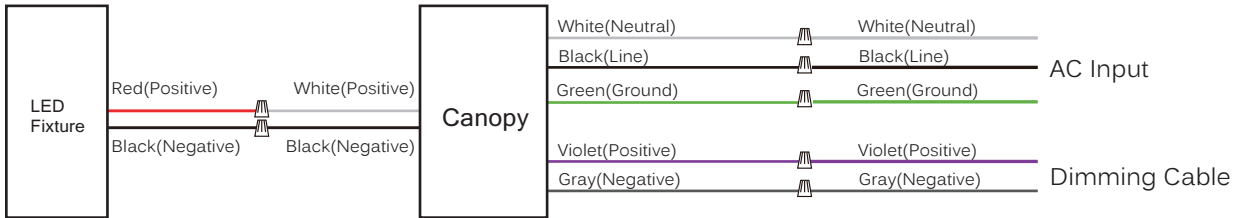
### Step 11

Fixture Installation complete.

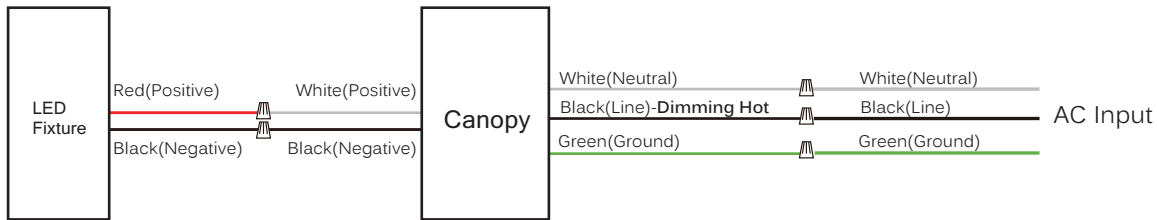
# ADVANCED HIGH CEILING Edge 4 - Cord Mount

## Wiring Diagram

### 0-10V



### TRIAC



### Non-Dimming

