

Dext Mini 12 - Standard



High Lumen Economical Luminaire with 12,200 - 15,750 lumen output.

Quantity	Type
Project	Note

Electrical System

- 12840 lm (120W)
- 15750 lm (150W)
- Power Input: Universal (120-277V)
- Operating Temperature: -85°F~120°F
- Surge Protection: standard is 4KV

LED Technology

- 3000K, 3500K, 4000K
- 80 CRI
- Beam Angle: 60°, 100°
- Rated Life > 100,000 Hours (L70)

Advanced Dimming

(Proprietary VX Driver is incorporated to all dimming options for video flicker-free lighting)

- Standard 0-10V: dims to 10%

Housing

- Diameter: Ø11.8"
- Height: 5.6"
- Material: High Pressure Die-Cast Aluminum, PC
- Weight: 8.37 lbs

Mounting

- Stem 2ft or 4ft; 45° Swivel Canopy Included
- Adjustable Aircraft Cable 10ft

Warranty

- 5 year limited warranty

Listing

- ETL Damp Location Listed
- IP65



Dext Mini 12 - Standard



How to Specify:

Ordering Example: DSM12-150-508-UNV-STV-100-WHT-ST2

	Wattage		CCT / CRI		Voltage		Dimming	
DSM12					UNV			
DSM12	120	120W	308	3000K / CRI80	UNV	120-277V	NOD	Non-Dimming
Dext 2.0 Mini 12	150	150W	408	4000K / CRI80			STV	Standard 0-10V dims to 10%
			508	5000K / CRI80				

Beam Angle		Finish		Mounting		Accessories		Rating		
60	60°	BLK	Black	BRK	Bracket	SPD¹	Surge Protector	OUT¹	Outdoor Rating	
100	100°	WHT	White	ST2	Stem 2ft	WG²	Wire Guard	NAT²	Natatorium Rating	
				ST4	Stem 4ft					
				AD10	Adjustable Cable 10ft					
							¹ Surge protector for up to 10KV. Applicable for unstable mains or facilities using high power machineries. ² Please factor in change in lumen output of 14%		¹ Outdoor rating: Coating and wiring will be changed to high UV resistant and corrosion resistant materials for long term operation in outdoor environments. ² Natatorium rating: Coating and sealant will be changed to high corrosion resistant materials to prevent damage from long term exposure to chlorine vapors.	

Delivered Lumens*

Wattage \ CCT	120W	150W
	Beam Angle: 60°	
5000K	12840 lm	15750 lm
4000K	12520 lm	15380 lm
3000K	12200 lm	15000 lm

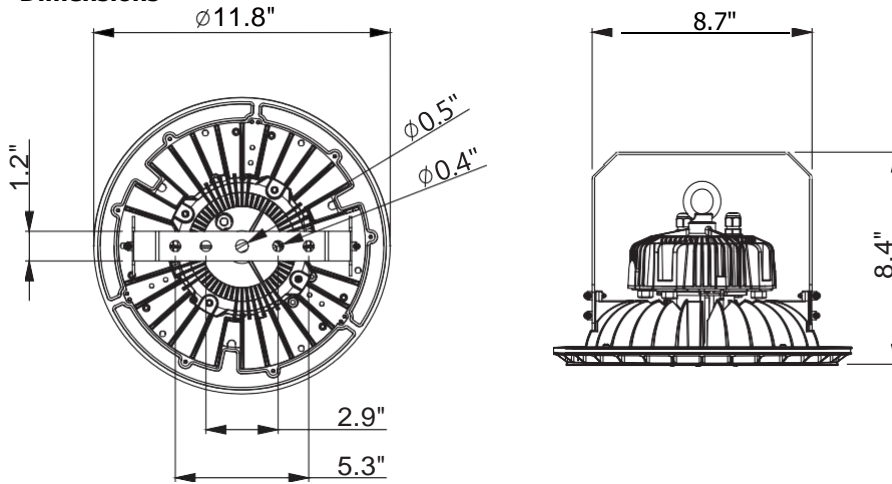
*Tolerance 8%

Current Consumption

Wattage \ Volt	120V	277V
	120W	1.20A
150W	1.52A	0.66A

Dext Mini 12 - Standard

Dimensions



Mounting Options

