

Dext Mini 10 - Standard



High Lumen Economical Luminaire with 8,130 - 10,500 lumen output.

Quantity	Type
Project	Note

Electrical System

- 8560 lm (80W)
- 10500 lm (100W)
- Power Input: Universal (120-277V)
- Operating Temperature: -85°F~120°F
- Surge Protection: standard is 4KV

LED Technology

- 3000K, 3500K, 4000K
- 80 CRI
- Beam Angle: 60°, 100°
- Rated Life > 100,000 Hours (L70)

Advanced Dimming

(Proprietary VX Driver is incorporated to all dimming options for video flicker-free lighting)

- Standard 0-10V: dims to 10%

Housing

- Diameter: Ø9.8"
- Height: 8.3
- Material: High Pressure Die-Cast Aluminum, PC
- Weight: 6.17 lbs

Mounting

- Stem 2ft or 4ft; 45° Swivel Canopy Included
- Adjustable Aircraft Cable 10ft

Warranty

- 5-year limited warranty

Listing

- ETL Damp Location Listed
- IP65



Dext Mini 10 - Standard



How to Specify:

Ordering Example: **DSM10-100-508-UNV-STV-100-WHT-ST2**

Model	Wattage	CCT / CRI	Voltage	Dimming
DSM10			UNV	
DSM10	80 80W	308 3000K / CRI85	UNV 120-277V	NOD Non-Dimming
Dext 2.0 Mini 10	100 100W	408 4000K / CRI80 508 5000K / CRI80		STV Standard 0-10V dims to 10%

Beam Angle	Finish	Mounting	Accessories	Rating
60 60°	BLK Black	BRK Bracket	SPD¹ Surge Protector	OUT¹ Outdoor Rating
100 100°	WHT White	ST2 Stem 2ft ST4 Stem 4ft AD10 Adjustable Cable 10ft	WG² Wire Guard	NAT² Natatorium Rating
			¹ Surge protector for up to 10KV. Applicable for unstable mains or facilities using high power machineries. ² Please factor in change in lumen output of 14%	¹ Outdoor rating: Coating and wiring will be changed to high UV resistant and corrosion resistant materials for long term operation in outdoor environments. ² Natorium rating: Coating and sealant will be changed to high corrosion resistant materials to prevent damage from long term exposure to chlorine vapors.

Delivered Lumens*

Wattage	80W	100W
CCT	Beam Angle: 60°	
5000K	8560 lm	10500 lm
4000K	8350 lm	10250 lm
3000K	8130 lm	10000 lm

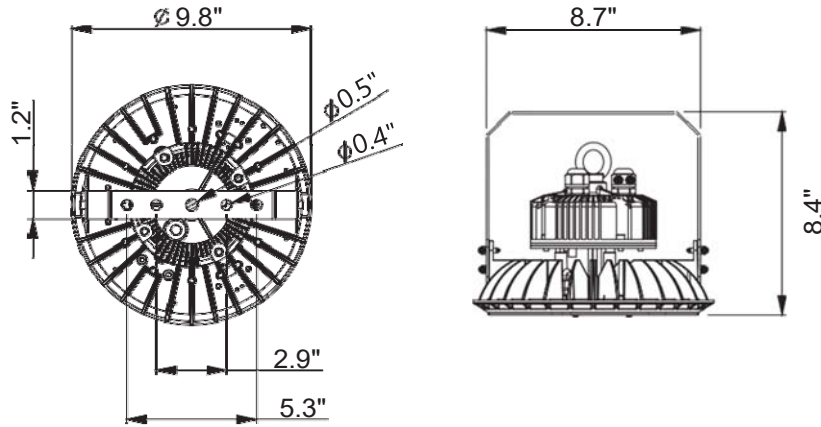
*Tolerance 8%

Current Consumption

Wattage \ Volt	120V	277V
80W	0.79A	0.35A
100W	1.99A	0.43A

Dext Mini 10 - Standard

Dimensions



Mounting Options

