

ADVANCED HIGH CEILING

# Dext2.0 - Standard



High Lumen Economical Luminaire with 16,500 - 34,800 lumen output, perfectly suited for 400/500W Metal Halide replacements.

- Outdoor/Natatorium Rating

(Please refer to Outdoor/Natatorium Version spec sheet)

Quantity		Type	
Project		Note	

### Electrical System

- Downlight
- 17400 lm (150W)
- 23200 lm (200W)
- 34800 lm (300W)
- Uplight
- 2320 lm (20W)
- Power Input: Universal (120-277V)
- Operating Temperature: -40°F~112°F
- Surge Protection: standard is 4KV

### Housing

- Diameter: Ø14.5"(368mm)
- Height: 10.25"(260mm)
- Material: High Pressure Die-Cast Aluminum, PC
- Weight: 17.64lbs

### LED Technology

- 3000K, 4000K, 5000K
- 80 CRI
- Beam Angle: 50°, 100°
- Rated Life > 60,000 Hours (L70)

### Mounting

- Stem 2ft or 4ft; 45° Swivel Canopy Included
- Adjustable Aircraft Cable 10ft
- Bracket

### Advanced Dimming

(Proprietary VX Driver is incorporated to all dimming options for video flicker-free lighting)

- Standard 0-10V: dims to 10%

### Warranty

- 5-year limited warranty

### Listing

- ETL Wet Location Listed



Not all Dext 2.0 Series are DLC qualified. For all qualified products. Please visit: [www.designlights.org/qpl](http://www.designlights.org/qpl)

# Dext2.0 - Standard



## How to Specify:

Ordering Example: **DS2-170-508-UNV-STV-100-WHT-ST2**

	Wattage	CCT / CRI	Voltage	Dimming
DS2			UNV	
DS2	<b>150</b> 150W	<b>308</b> 3000K / CRI80	<b>UNV</b> 120-277V	<b>NOD</b> Non-Dimming
Dext 2.0 Series	<b>170</b> 170W	<b>408</b> 4000K / CRI80		<b>STV</b> Standard 0-10V dims to 10%
	<b>200</b> 200W	<b>508</b> 5000K / CRI80		
	<b>220</b> 220W			
	<b>300</b> 300W			
	*20W Uplight Module			

Beam Angle	Finish	Mounting	Accessories
<b>50</b> 50°	<b>BLK</b> Black	<b>ST2</b> Stem 2ft	<b>SPD<sup>1</sup></b> Surge Protector
<b>100</b> 100°	<b>WHT</b> White	<b>ST4</b> Stem 4ft	<b>WG<sup>2</sup></b> Wire Guard
		<b>AD10</b> Adjustable Cable 10ft	
		<b>BRK</b> Bracket	
*Beam Angle Options are only available for Downlight. *Uplight Beam Angle Fixed at 100°.			<sup>1</sup> Surge protector for up to 10KV. Applicable for unstable mains or facilities using high power machineries. <sup>2</sup> Please factor in change in lumen output of 14%.

## Delivered Lumens\*

## Current Consumption

Downlight

Wattage	150W	200W	300W
Beam Angle: 50°			
CCT			
5000K	17400 lm	23200 lm	34800 lm
4000K	16950 lm	22600 lm	33900 lm
3000K	16500 lm	22000 lm	33000 lm

Uplight

Wattage	20W
Beam Angle: 100°	
CCT	
5000K	2320 lm
4000K	2260 lm
3000K	2200 lm

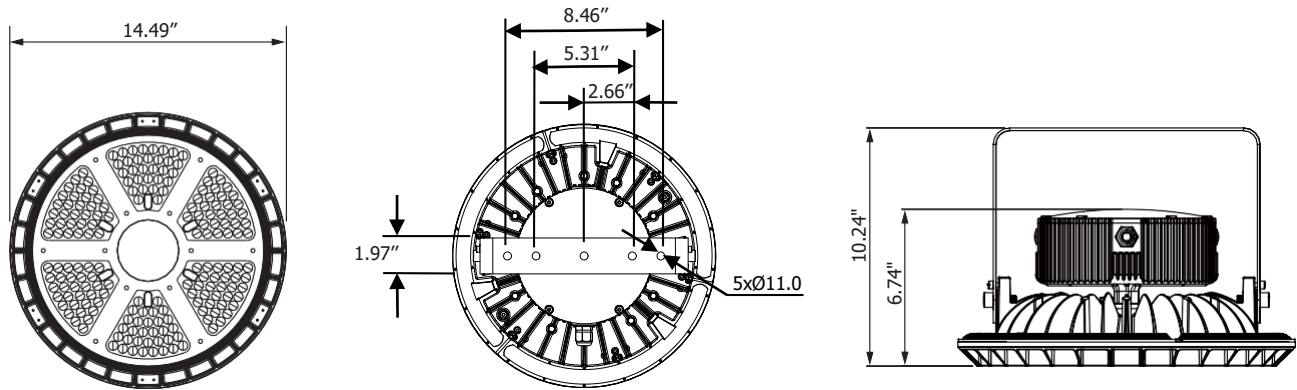
Wattage	Volt	120V	277V
150W		1.52A	0.66A
170W		1.73A	0.75A
200W		2.03A	0.88A
220W		2.23A	0.97A
300W		3.05A	1.32A

\*Tolerance:±8%

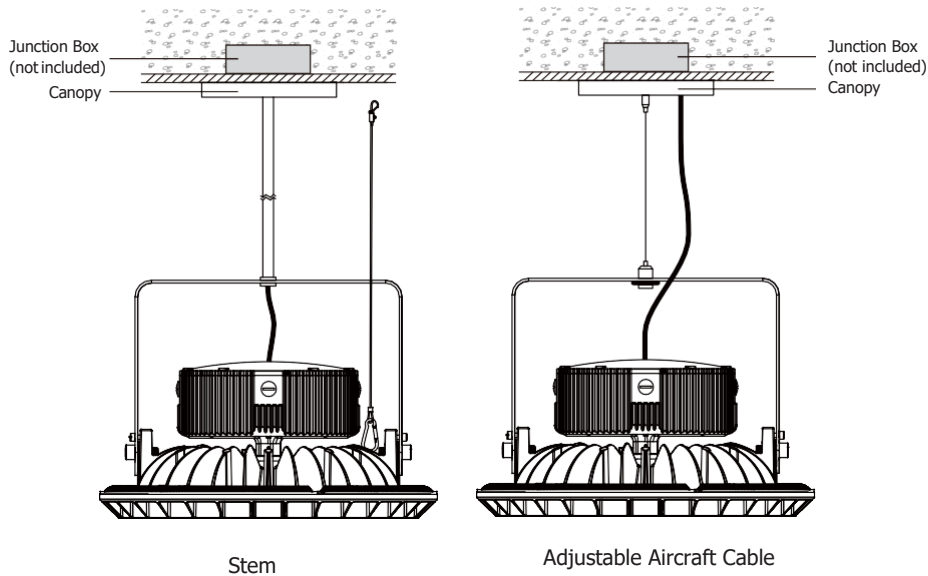
DesignLights Consortium™ Qualified Luminaires:

DLC QPL Model Number : DS2-220-507, DS2-220-407  
 Not all product variations listed on this page are DLC qualified.  
 To ensure that a specific model is qualified, visit  
[www.designlights.org/search](http://www.designlights.org/search).

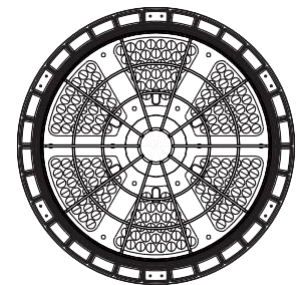
## Dimensions



## Mounting Options



## Accessory



Wire Guard

