

ADVANCED HIGH CEILING

Dext2.0 - Outdoor/Natatorium



High Lumen Economical Luminaire with 16,500 - 34,800 lumen output, perfectly suited for 400/500W Metal Halide replacements.

-Outdoor/Natatorium Rating

Special coating, sealant, and wiring is applied for long term operation in harsh environments.

-Standard

(Please refer to Standard Version spec sheet)

Quantity	Type
Project	Note

Electrical System

- Downlight
- 17400 lm (150W)
- 23200 lm (200W)
- 34800 lm (300W)
- Power Input: Universal (120-277V)
- Operating Temperature: -40°F~112°F
- Surge Protection: standard is 4KV

LED Technology

- 3000K, 4000K, 5000K
- 80 CRI
- Beam Angle: 50°, 100°
- Rated Life > 60,000 Hours (L70)

Advanced Dimming

(Proprietary VX Driver is incorporated to all dimming options for video flicker-free lighting)

- Standard 0-10V: dims to 10%

Housing

- Diameter: Ø14.5"(368mm)
- Height: 10.25"(260mm)
- Material: High Pressure Die-Cast Aluminum, PC
- Weight: 17.64lbs

Mounting

- Stem 2ft or 4ft; 45° Swivel Canopy Included
- Adjustable Aircraft Cable 10ft
- Bracket

Warranty

- 5-year limited warranty

Listing

- ETL Wet Location Listed
- IP65



Not all Dext 2.0 Series are DLC qualified. For all qualified products. Please visit: www.designlights.org/gpl

Dext2.0 - Outdoor/Natatorium



How to Specify:

Ordering Example: DS2-150-508-UNV-STV-100-WHT-ST2-WG

	Wattage		CCT / CRI		Voltage		Dimming	
DS2					UNV			
DS2	150	150W	308	3000K / CRI80	UNV	120-277V	NOD	Non-Dimming
Dext 2.0 Series	200	200W	408	4000K / CRI80			STV	Standard 0-10V dims to 10%
	300	300W	508	5000K / CRI80				

Beam Angle		Finish		Mounting		Accessories		Rating	
50	50°	BLK	Black	ST2	Stem 2ft	SPD¹	Surge Protector	OUT¹	Outdoor Rating
100	100°	WHT	White	ST4	Stem 4ft	WG²	Wire Guard	NAT²	Natatorium Rating
				AD10	Adjustable Cable 10ft				
				BRK	Bracket				
*Beam Angle Options are only available for Downlight.						¹ Surge protector for up to 10KV. Applicable for unstable mains or facilities using high power machineries ² Please factor in change in lumen output of 14%.		¹ Outdoor rating: Coating and wiring will be changed to high UV resistant and corrosion resistant materials for long term operation in outdoor environments. ² Natatorium rating: Coating and sealant will be changed to high corrosion resistant materials to prevent damage from long term exposure to chlorine vapors.	
*Uplight Beam Angle Fixed at 100°.									

Delivered Lumens*

Downlight

Wattage \ CCT	150W	200W	300W
	Beam Angle: 50°		
5000K	17400 lm	23200 lm	34800 lm
4000K	16950 lm	22600 lm	33900 lm
3000K	16500 lm	22000 lm	33000 lm

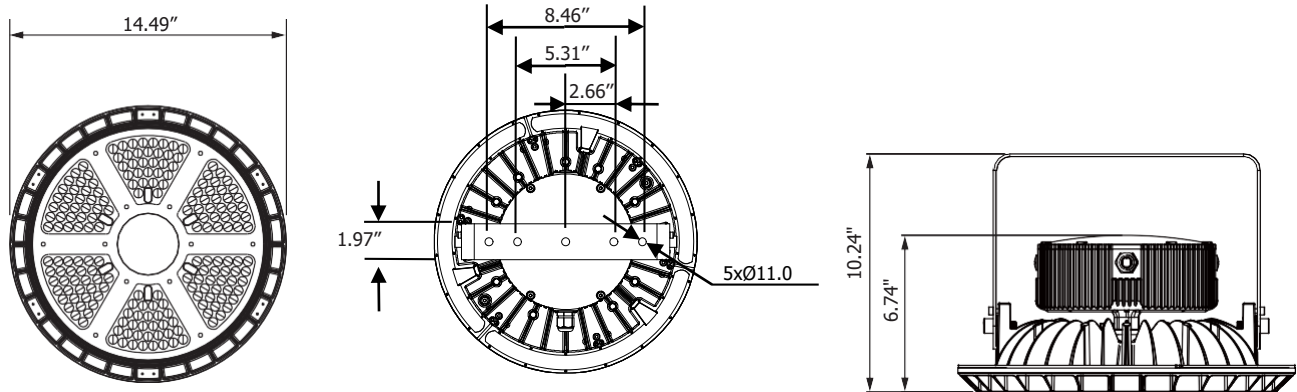
*Tolerance±8%

Current Consumption

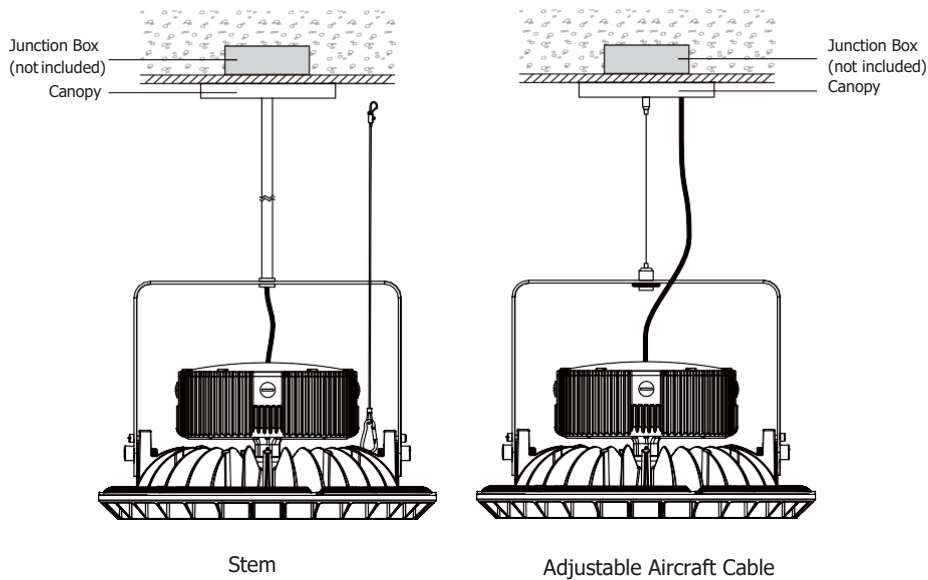
Wattage \ Volt	120V	277V
	150W	1.52A
200W	2.03A	0.88A
300W	3.05A	1.32A

DesignLights Consortium™ Qualified Luminaires:DLC QPL Model Number : DS2-220-507, DS2-220-407Not all product variations listed on this page are DLC qualified.To ensure that a specific model is qualified, visit www.designlights.org/search.

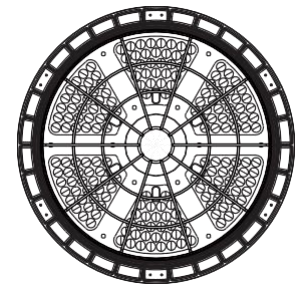
Dimensions



Mounting Options



Accessory



Wire Guard