

# Dext 2.0 - Outdoor/Natatorium



High Lumen, High Bay Luminaire with 16,500 - 34,800 lumen output, perfectly suited for 400/500W Metal Halide replacements.

Quantity	Type
Project	Note

## Electrical System

- Downlight
- 17400 lm (150W)
- 23200 lm (200W)
- 34800 lm (280W)
- Power Input: Universal (120-277V)
- Operating Temperature: -40°F ~ 112°F
- Surge Protection: 4KV

## LED Technology

- 3000K, 4000K, 5000K
- 80 CRI
- Beam Angle: 50°, 100°
- Rated Life > 60,000 Hours (L70)

## Advanced Dimming

(Proprietary VX Driver is incorporated to all dimming options for video flicker-free lighting)

- Standard 0-10V: dims to 10%

## Housing

- Diameter: Ø14.5" (368mm)
- Height: 10.25" (260mm)
- Material: High Pressure Die-Cast Aluminum, PC lens
- Weight: 17.64lbs

## Mounting

- Stem 2ft or 4ft; 45° Swivel Canopy Included
- Adjustable Aircraft Cable 10ft
- Bracket

## Warranty

- 5 years limited warranty

## Listing

- ETL Wet Location Listed
- IP65



Not all Dext 2.0 Series are DLC qualified. For all qualified products. Please visit: [www.designlights.org/qpl](http://www.designlights.org/qpl)

# Dext 2.0 - Outdoor/Natatorium



## How To Specify:

Ordering Example: DS2-150-508-UNV-STV-100-WHT-ST2-WG

Model	Wattage	CCT / CRI	Voltage	Dimming
DS2			UNV	STV
DS2 Dext 2.0 Series	<b>150</b> 150W <b>200</b> 200W <b>280</b> 280W	<b>308</b> 3000K / CRI 80 <b>408</b> 4000K / CRI 80 <b>508</b> 5000K / CRI 80	<b>UNV</b> 120-277V	<b>NOD</b> Non-Dimming <b>STV</b> Standard 0-10V dims to 10%

Beam Angle	Finish	Mounting	Accessories	Rating
<b>50</b> 50° <b>100</b> 100°  *Beam angle options are only available for Downlight. *Uplight beam angle fixed at 100°.	<b>BLK</b> Black <b>WHT</b> White	<b>ST2</b> Stem 2ft <b>ST4</b> Stem 4ft <b>AD10</b> Adjustable Cable 10ft <b>BRK</b> Bracket	<b>SPD</b> <sup>1</sup> Surge Protector <b>WG</b> <sup>2</sup> Wire Guard  <sup>1</sup> Surge protector for up to 10KV. Applicable for unstable mains or facilities using high power machinery. <sup>2</sup> Please factor in change in lumen output of 14%.	<b>OUT</b> <sup>1</sup> Outdoor Rating <b>NAT</b> <sup>2</sup> Natatorium Rating  <sup>1</sup> Outdoor rating: Coating and wiring will be changed to high UV resistant and corrosion resistant materials for long term operation in outdoor environments.  <sup>2</sup> Natatorium rating: Coating and sealant will be changed to high corrosion resistant materials to prevent damage from long term exposure to chlorine vapors.

## Delivered Lumens\*

Downlight

Wattage \ CCT	Beam Angle: 50°		
	150W	200W	280W
5000K	17,400 lm	23,200 lm	34,800 lm
4000K	16,950 lm	22,600 lm	33,900 lm
3000K	16,500 lm	22,000 lm	33,000 lm

\*Tolerance ± 8%

DesignLights Consortium™ Qualified Luminaires:  
DLC QPL Model Number : DS2-220-507, DS2-220-407  
Not all product variations listed on this page are DLC qualified.  
To ensure that a specific model is qualified, visit [www.designlights.org/search](http://www.designlights.org/search).

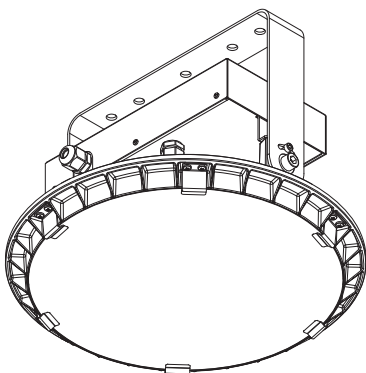
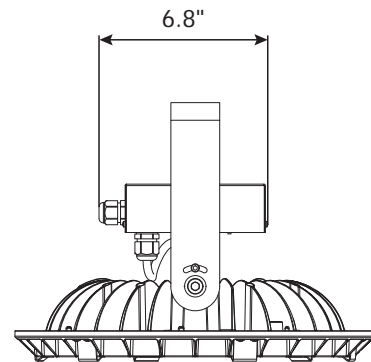
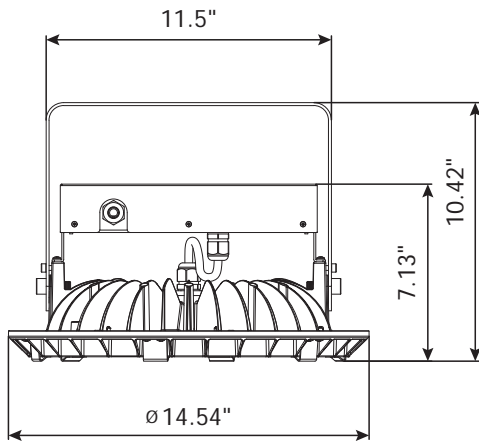
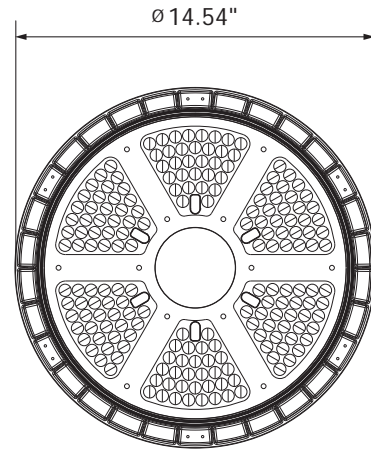
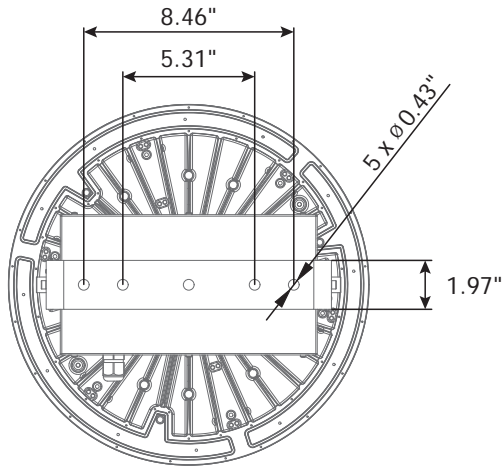
## Current Consumption

Wattage \ Volt	120V	277V
150W	1.52A	0.66A
200W	2.03A	0.88A
280W	3.05A	1.32A

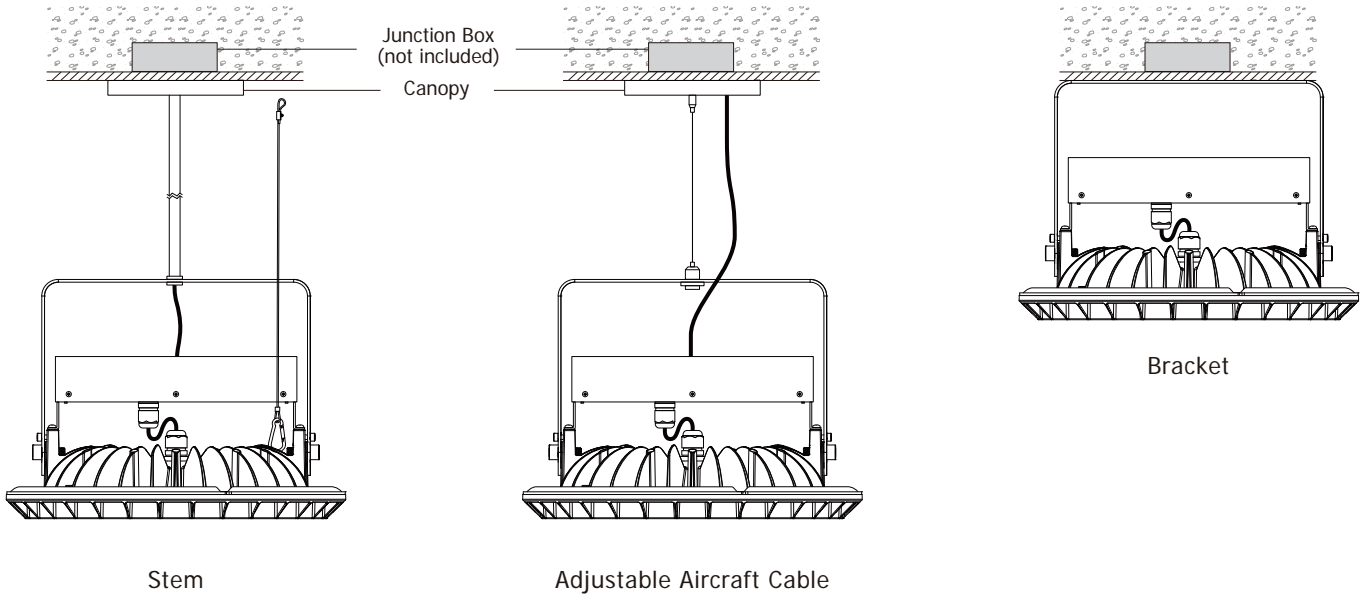
# Dext 2.0 - Outdoor/Natatorium



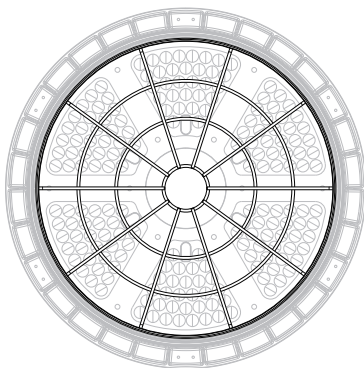
## Dimensions



## Mounting Options



## Accessory



Wire Guard