

Dext 2.0 - Outdoor/Natatorium



High Lumen Economical Luminaire with 16,500 - 34,800 lumen output, perfectly suited for 400/500W Metal Halide replacements.

- Outdoor/Natatorium Rating
Special coating, sealant, and wiring is applied for long term operation in harsh environments.
- Standard
(Please refer to Standard Version spec sheet)

Quantity	Type
Project	Note

Electrical System

- Downlight
 - 17400 lm (150W)
 - 23200 lm (200W)
 - 34800 lm (300W)
- Power Input: Universal (120-277V)
- Operating Temperature: -40°F~112°F
- Surge Protection: standard is 4KV

LED Technology

- 3000K, 4000K, 5000K
- 80 CRI
- Beam Angle: 50°, 100°
- Rated Life > 60,000 Hours (L70)

Advanced Dimming

(Proprietary VX Driver is incorporated to all dimming options for video flicker-free lighting)

- Standard 0-10V: dims to 10%

Housing

- Diameter: Ø14.5"(368mm)
- Height: 10.25"(260mm)
- Material: High Pressure Die-Cast Aluminum, PC
- Weight: 17.64lbs

Mounting

- Stem 2ft or 4ft; 45° Swivel Canopy Included
- Adjustable Aircraft Cable 10ft
- Bracket

Warranty

- 5 year limited warranty

Listing

- ETL Wet Location Listed
- IP65



Not all Dext 2.0 Series are DLC qualified. For all qualified products. Please visit: www.designlights.org/qpl

Dext 2.0 - Outdoor/Natorium



How To Specify:

Ordering Example: DS2-150-508-UNV-STV-100-WHT-ST2-WG

Model	Wattage	CCT / CRI	Voltage	Dimming
<input type="text" value="DS2"/>	<input type="text"/>	<input type="text"/>	<input type="text"/>	<input type="text"/>
DS2	150 150W	308 3000K / CRI80	UNV 120-277V	NOD Non-Dimming
Dext 2.0 Series	200 200W	408 4000K / CRI80		STV Standard 0-10V dims to 10%
	300 300W	508 5000K / CRI80		

Beam Angle	Finish	Mounting	Accessories	Rating
<input type="text"/>	<input type="text"/>	<input type="text"/>	<input type="text"/>	<input type="text"/>
50 50° 100 100°	WHT White BLK Black	ST2 Stem 2ft ST4 Stem 4ft AD10 Adjustable Cable 10ft BRK Bracket	SPD ¹ Surge Protector WG ² Wire Guard	OUT ¹ Outdoor Rating NAT ² Natorium Rating
<p>*Beam Angle Options are only available for Downlight. *Uplight Beam Angle Fixed at 100°.</p>			<p>¹ Surge protector for up to 10KV. Applicable for unstable mains or facilities using high power machineries. ² Please factor in change in lumen output of 14%.</p>	<p>¹ Outdoor rating: Coating and wiring will be changed to high UV resistant and corrosion resistant materials for long term operation in outdoor environments. ² Natorium rating: Coating and sealant will be changed to high corrosion resistant materials to prevent damage from long term exposure to chlorine vapors.</p>

Delivered Lumens*

Downlight

Wattage	150W	200W	300W
	Beam Angle: 50°		
CCT			
5000K	17400 lm	23200 lm	34800 lm
4000K	16950 lm	22600 lm	33900 lm
3000K	16500 lm	22000 lm	33000 lm

*Tolerance ± 8%

Current Consumption

Wattage	120V	277V
150W	1.52A	0.66A
200W	2.03A	0.88A
300W	3.05A	1.32A

DesignLights Consortium™ Qualified Luminaires:

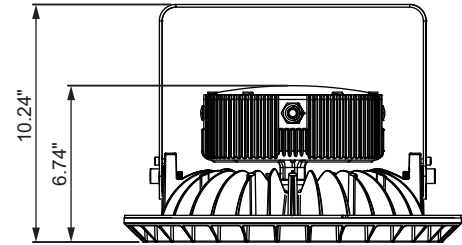
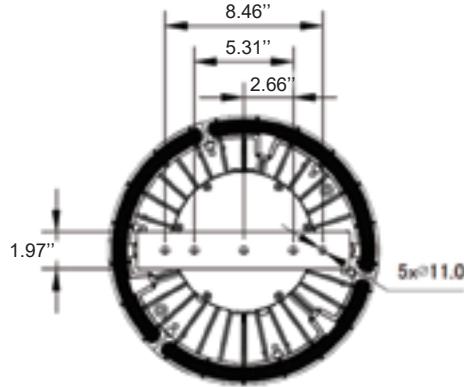
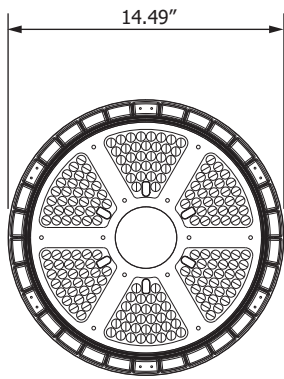
DLC QPL Model Number : DS2-220-507, DS2-220-407

Not all product variations listed on this page are DLC qualified.

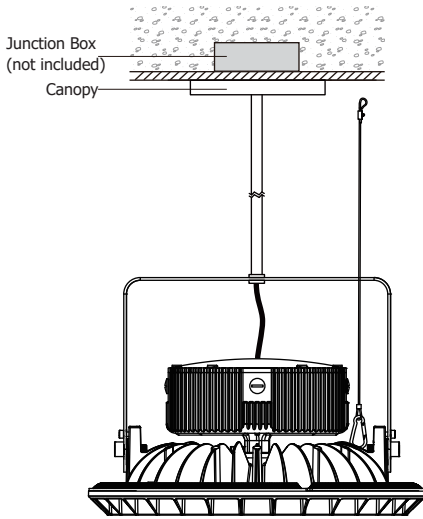
To ensure that a specific model is qualified, visit www.designlights.org/search.

Dext 2.0 - Outdoor/Natatorium

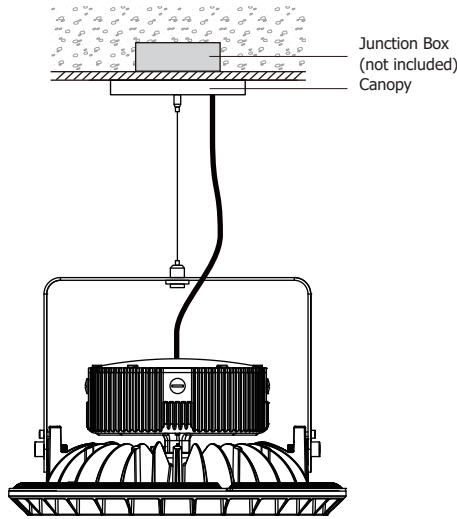
Dimensions



Mounting Options

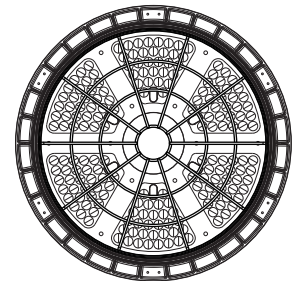


Stem

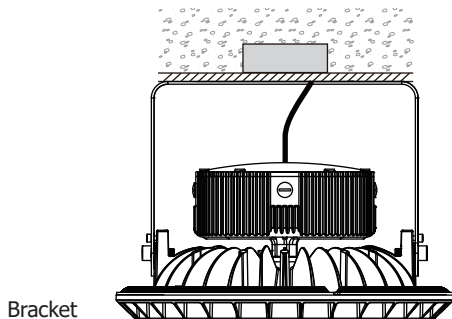


Adjustable Aircraft Cable

Accessory



Wire Guard



Bracket