

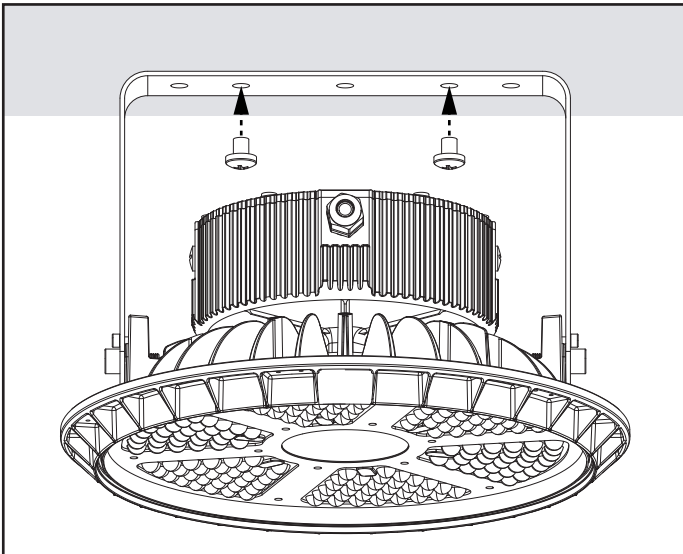
ADVANCED HIGH CEILING Dext 2.0 - Bracket



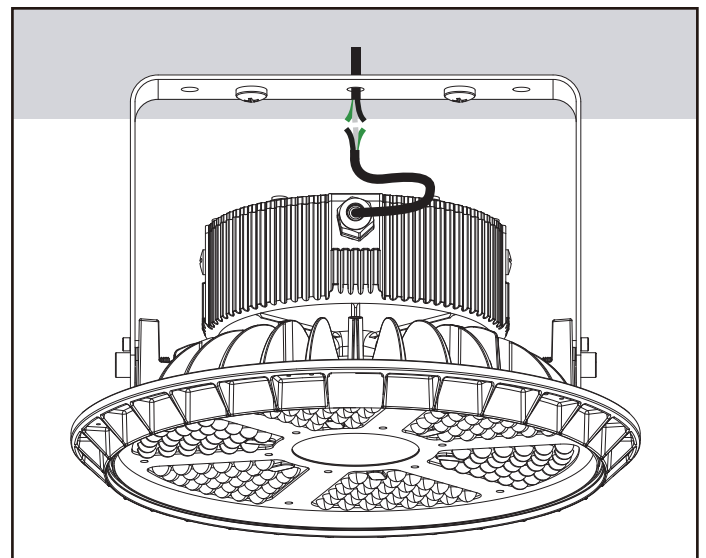
IMPORTANT SAFETY INFORMATION. READ AND FOLLOW ALL SAFETY INSTRUCTIONS

IMPORTANT SAFETY INFORMATION. READ AND FOLLOW ALL SAFETY INSTRUCTIONS. Before wiring to power supply and during servicing or relamping, turn off power at fuse or circuit breaker. All servicing or relamping must be performed by qualified service personnel. Product must be grounded to avoid potential electric shock or other potential hazard. Product must be at locations and at heights and in a manner consistent with its intended use, and in compliance with Electrical Code and local codes.

SAVE THESE INSTRUCTIONS FOR FUTURE REFERENCE.



Secure mounting bracket to level surface with mounting hardware that is sufficient to support weight of the fixture.



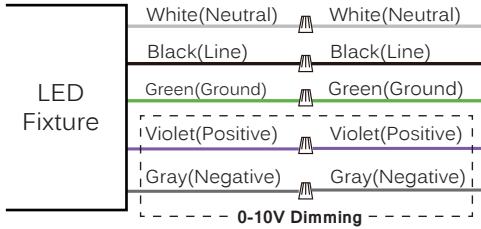
Make electrical connections between junction box and fixture. Refer to wiring diagram for a more detailed explanation.

ADVANCED HIGH CEILING Dext 2.0 - Bracket



Wiring Diagram

0-10V / Superior 0-10V



SPD

