

DUO 6 - Standard



Elegant Up and Downlight Luminaire

-ColorFlip™

Meteor Lighting's proprietary ColorFlip™ Tunable White solution, that results in superior efficacy and heat management. This product is compatible with all existing 0-10V and DMX control systems. Bringing human centric lighting to your spaces.

Duo gives you perfect optics with intuitive design making it a decorative element that adds a touch of class.

- Tunable White

(Please refer to Tunable White Version spec sheet)

Quantity	Type
Projec	Note

Electrical System

- 2800 lm (30W) Uplight: 15W / Downlight: 15W
- 4670 lm (50W) Uplight: 25W / Downlight: 25W
- 7005 lm (75W) Uplight: 25W / Downlight: 50W
- 8810 lm (95W) Uplight: 25W / Downlight: 70W
- Power Input: Universal (120-277V)
- Operating Temperature: -13°F~104°F
- Surge Protection: 2.5KV
- Power Factor Greater than 0.9

LED Technology

- 2700K, 3000K, 3500K, 4000K
- 85 CRI, 93 CRI
- Beam Angle:
 - Down: 40°, 60°, WD
 - Up: 40°, 60°, WD
- UGR ≤19
- Rated Life > 60,000 Hours (L70)

Advanced Dimming

(Proprietary VX Driver is incorporated to all dimming options for video flicker-free lighting)

Without Signal Wire

- Non-Dimming
- 30W / 50W only:**
 - LTE: Hi-Lume 1% 2-wire LED Driver (120V forward phase only)
 - LDE1: Hi-Lume 1% EcoSystem LED Driver with Soft-on, Fade-to-Black (UNV only)

With Signal Wire

- Superior 0-10V: dims to 1%
 - Single Dimming (Controls Up/Down Together)
 - Dual Dimming (Controls Up/Down Separately)
- DMX: high resolution dims to 0.1% (RJ45 only)
 - (Supports ANSI E1.20 RDM protocol)
 - Single Dimming (Controls Up/Down Together)
 - Dual Dimming (Controls Up/Down Separately)

Housing

- Diameter: 6.37" (162mm)
- Height: 20" (508.5mm)
- Material: Aluminum
- Weight: 15.2 lbs
- Canopy Height: 2.95"

Mounting

- Power Line Mount 2ft, 4ft, 6ft, 8ft, 10ft with High Lumen Power Suspension (Canopy Height: 2.95")
- Power Line Mount 2ft, 4ft, 6ft, 8ft, 10ft with High Lumen Power Suspension and Remote Power (Canopy Height: 0.84")
- Remote Emergency Pack

Warranty

- 5-year limited warranty

Listing

- ETL Listed



DUO 6 - Standard



How to Specify:

Ordering Example: DUO6-50-408-U-DMXRD-6040-B-PL6



4-5 weeks lead time on over 75% of specifications.

Model	Wattage		CCT / CRI		Voltage	Dimming
DUO6					UNV	
DUO6	30 Downlight: 15W	Uplight: 15W	278	2700K / CRI85	U 120-277V	Without Signal Wire NOD Superior 0-10V dims to dark LTE¹ Hi-Lume 1% 2-wire LED Driver (120V forward phase only) LDE1¹ Hi-Lume 1% EcoSystem LED Driver with Soft-on, Fade-to-Black (UNV only)
	50 Downlight: 25W	Uplight: 25W	308	3000K / CRI85		
	75 Downlight: 50W	Uplight: 25W	358	3500K / CRI85		
	95 Downlight: 70W	Uplight: 25W	408	4000K / CRI85		
			279	2700K / CRI93		
			309	3000K / CRI93		
			359	2500K / CRI93		
						With Signal Wire SPVS Superior 0-10V dims to 1% Single (Up/Down Together) SPVD Superior 0-10V dims to 1% Dual (Up/Down Separately) DMXRS² DMX dims to 0.1% Single (Up/Down Together) DMXRD² DMX dims to 0.1% Dual (Up/Down Separately) ¹ Option is only compatible with 30W/50W ² Option only applies to RJ45 Sockets.

Beam Angle

Finish

Mounting

Downlight		Uplight		Finish		Mounting	
40	40°	40	40°	B	Black	PL2 (2 or 4 or 6 or 8 or 10)	Power Line Mount
60	60°	60	60°	W	White	PL2RM (2 or 4 or 6 or 8 or 10)	Power Line Mount Remote Power
WD¹	WIDE	WD¹	WIDE			EMP	Remote Emergency Pack
¹ Please factor in change in lumen output with diuuser (-20% with WD; -12% with other degrees).				 B	 W		

DUO 6 - Standard

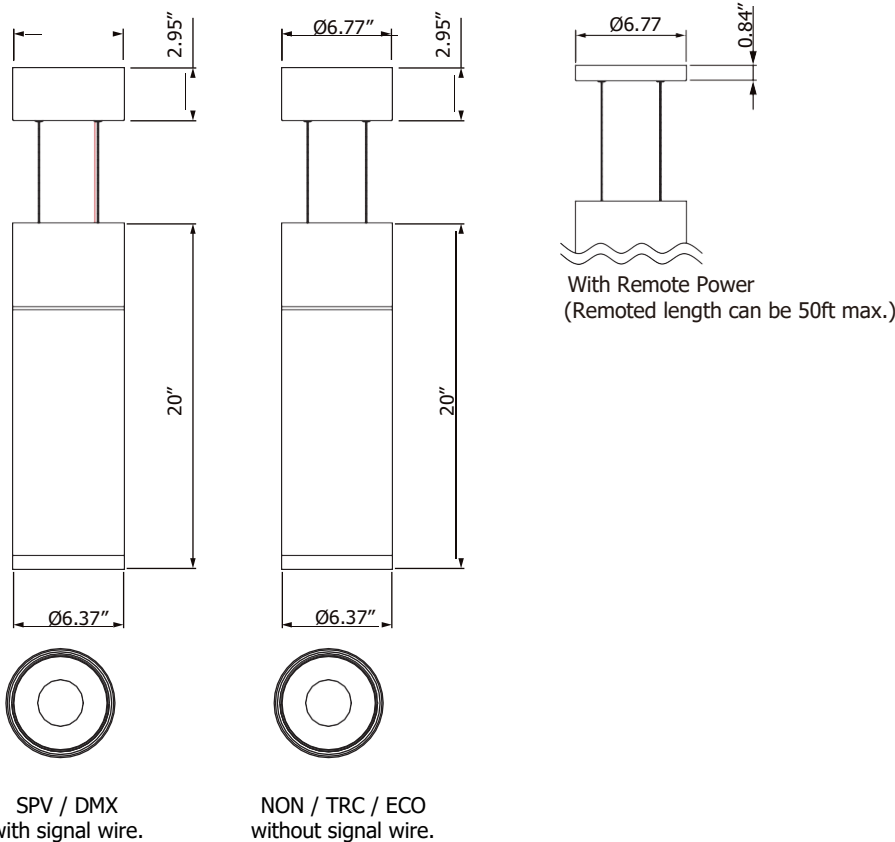


Delivered Lumens*

Wattage CCT	30W		50W		75W		95W	
	UP (15W)	DOWN (15W)	UP (25W)	DOWN (25W)	UP (25W)	DOWN (50W)	UP (25W)	DOWN (70W)
4000K	1400 lm	1400 lm	2335 lm	2335 lm	2335 lm	4670 lm	2335 lm	6475 lm
3500K	1380 lm	1380 lm	2305 lm	2305 lm	2305 lm	4610 lm	2305 lm	6390 lm
3000K	1345 lm	1345 lm	2245 lm	2245 lm	2245 lm	4495 lm	2245 lm	6230 lm
2700K	1240 lm	1240 lm	2070 lm	2070 lm	2070 lm	4145 lm	2070 lm	5745 lm

*Tolerance ± 8%

Dimensions



DMX Requirements*

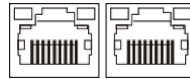
Each DUO 6 DMX unit has TWO CHANNEL per fixture (1 to control uplight, 1 to control downlight). Fixture will be controlled by DMX number controlling intensity. We do not recommend more than 32 fixtures per DMX daisy chain. When placing order, please indicate DMX address (refer to DMX Address example below). DMX address will be listed on the back of each fixture.

Fixture	DMX Address	
	Uplight (ex. X)	Downlight (ex. X+1)
#1	1	2
#2	3	4
#3	5	6

The LED fixture provide RJ45 Socket to connect. (DMX cable NOT included.)
 The final fixture should be terminated by the use of DMX Terminator (by others).

CONNECTION	RJ45 (CAT5e)
Common	WHITE/BROWN(PIN7) & BROWN(PIN 8)
Signal -	ORANGE(PIN 2)
Signal +	WHITE/ORANGE(PIN 1)
Spare	-
Spare	-

RJ45 Sockets



DMX IN DMX OUT

Mounting Options

