

ADVANCED HIGH CEILING

# DUO 6 - Standard



## Elegant Up and Downlight Luminaire

-ColorFlip™

Meteor Lighting's proprietary ColorFlip™ Tunable White solution, that results in superior efficacy and heat management. This product is compatible with all existing 0-10V and DMX control systems. Bringing human centric lighting to your spaces.

Duo gives you perfect optics with intuitive design making it a decorative element that adds a touch of class.

- Tunable White

(Please refer to Tunable White Version spec sheet)

Quantity	Type
Projec	Note

### Electrical System

- 2800 lm (30W) Uplight: 15W / Downlight: 15W
- 4670 lm (50W) Uplight: 25W / Downlight: 25W
- 7005 lm (75W) Uplight: 25W / Downlight: 50W
- 8810 lm (95W) Uplight: 25W / Downlight: 70W
- Power Input: Universal (120-277V)
- Operating Temperature: -13°F~104°F
- Surge Protection: 2.5KV
- Power Factor Greater than 0.9

### LED Technology

- 2700K, 3000K, 3500K, 4000K
- 85 CRI, 93 CRI
- Beam Angle:
  - Down: 40°, 60°, WD
  - Up: 40°, 60°, WD
- UGR ≤19
- Rated Life > 60,000 Hours (L70)

### Advanced Dimming

(Proprietary VX Driver is incorporated to all dimming options for video flicker-free lighting)

#### Without Signal Wire

- Non-Dimming
- 30W / 50W only:**
  - LTE: Hi-Lume 1% 2-wire LED Driver (120V forward phase only)
  - LDE1: Hi-Lume 1% EcoSystem LED Driver with Soft-on, Fade-to-Black (UNV only)

#### With Signal Wire

- Superior 0-10V: dims to 1%
  - Single Dimming (Controls Up/Down Together)
  - Dual Dimming (Controls Up/Down Separately)
- DMX: high resolution dims to 0.1% (RJ45 only)
  - (Supports ANSI E1.20 RDM protocol)
  - Single Dimming (Controls Up/Down Together)
  - Dual Dimming (Controls Up/Down Separately)

### Housing

- Diameter: 6.37" (162mm)
- Height: 20" (508.5mm)
- Material: Aluminum
- Weight: 15.2 lbs
- Canopy Height: 2.95"

### Mounting

- Power Line Mount 2ft, 4ft, 6ft, 8ft, 10ft with High Lumen Power Suspension (Canopy Height: 2.95" )
- Power Line Mount 2ft, 4ft, 6ft, 8ft, 10ft with High Lumen Power Suspension and Remote Power (Canopy Height: 0.84" )
- Remote Emergency Pack

### Warranty

- 5-year limited warranty

### Listing

- ETL Listed



# DUO 6 - Standard



## How to Specify:

**Ordering Example: DUO6-50-408-U-DMXRD-6040-B-PL6**



**4-5 weeks lead time on over 75% of specifications.**

Model	Wattage		CCT / CRI		Voltage	Dimming
DUO6					UNV	
DUO6	<b>30</b> Downlight: 15W	Uplight: 15W	<b>278</b>	2700K / CRI85	<b>U</b> 120-277V	<b>Without Signal Wire</b> <b>NOD</b> Non-Dimming <b>LTE<sup>1</sup></b> Hi-Lume 1% 2-wire LED Driver (120V forward phase only) <b>LDE1<sup>1</sup></b> Hi-Lume 1% EcoSystem LED Driver with Soft-on, Fade-to-Black (UNV only)
	<b>50</b> Downlight: 25W	Uplight: 25W	<b>308</b>	3000K / CRI85		
	<b>75</b> Downlight: 50W	Uplight: 25W	<b>358</b>	3500K / CRI85		
	<b>95</b> Downlight: 70W	Uplight: 25W	<b>408</b>	4000K / CRI85		
			<b>279</b>	2700K / CRI93		
			<b>309</b>	3000K / CRI93		
			<b>359</b>	2500K / CRI93		
						<b>With Signal Wire</b> <b>SPVS</b> Superior 0-10V dims to 1% Single (Up/Down Together) <b>SPVD</b> Superior 0-10V dims to 1% Dual (Up/Down Separately) <b>DMXRS<sup>2</sup></b> DMX dims to 0.1% Single (Up/Down Together) <b>DMXRD<sup>2</sup></b> DMX dims to 0.1% Dual (Up/Down Separately)
						<sup>1</sup> Option is only compatible with 30W/50W
						<sup>2</sup> Option only applies to RJ45 Sockets.

## Beam Angle

## Finish

## Mounting

Downlight		Uplight		Finish		Mounting	
<b>40</b>	40°	<b>40</b>	40°	<b>B</b>	Black	<b>PL2</b> (2 or 4 or 6 or 8 or 10)	Power Line Mount
<b>60</b>	60°	<b>60</b>	60°	<b>W</b>	White	<b>PL2RM</b> (2 or 4 or 6 or 8 or 10)	Power Line Mount Remote Power
<b>WD<sup>1</sup></b>	WIDE	<b>WD<sup>1</sup></b>	WIDE			<b>EMP</b>	Remote Emergency Pack
<sup>1</sup> Please factor in change in lumen output with diffuser (-20% with WD; -12% with other degrees).				 <b>B</b>	 <b>W</b>		

# DUO 6 - Standard

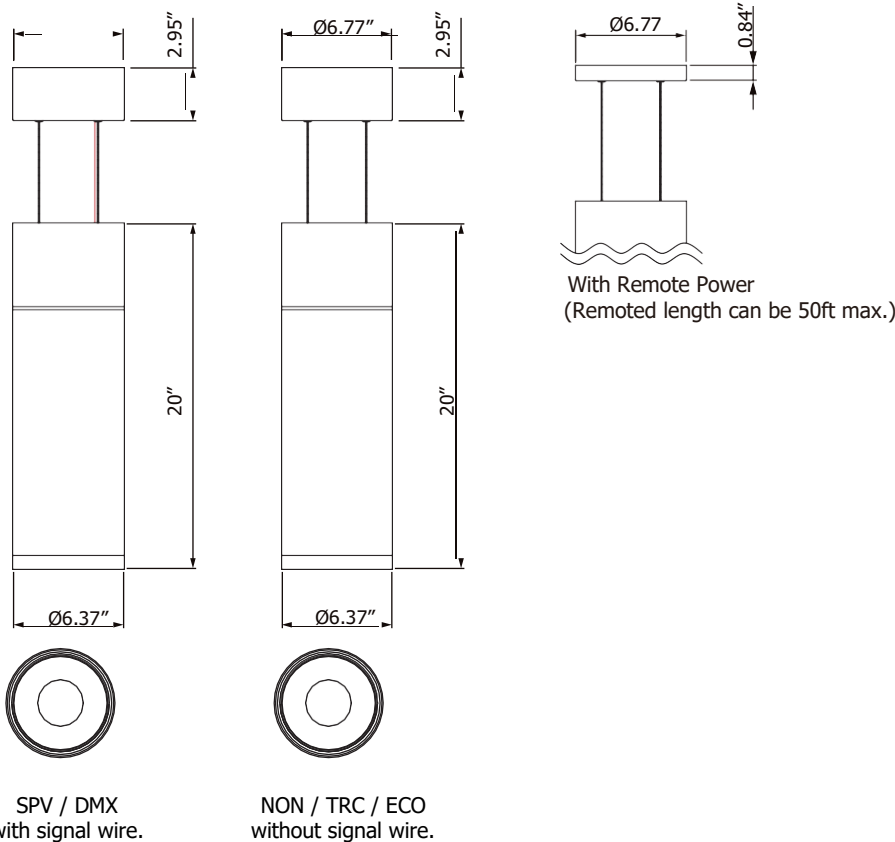


## Delivered Lumens\*

Wattage CCT	30W		50W		75W		95W	
	UP (15W)	DOWN (15W)	UP (25W)	DOWN (25W)	UP (25W)	DOWN (50W)	UP (25W)	DOWN (70W)
4000K	1400 lm	1400 lm	2335 lm	2335 lm	2335 lm	4670 lm	2335 lm	6475 lm
3500K	1380 lm	1380 lm	2305 lm	2305 lm	2305 lm	4610 lm	2305 lm	6390 lm
3000K	1345 lm	1345 lm	2245 lm	2245 lm	2245 lm	4495 lm	2245 lm	6230 lm
2700K	1240 lm	1240 lm	2070 lm	2070 lm	2070 lm	4145 lm	2070 lm	5745 lm

\*Tolerance ± 8%

## Dimensions



## DMX Requirements\*

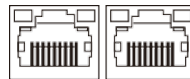
Each DUO 6 DMX unit has TWO CHANNEL per fixture (1 to control uplight, 1 to control downlight). Fixture will be controlled by DMX number controlling intensity. We do not recommend more than 32 fixtures per DMX daisy chain. When placing order, please indicate DMX address (refer to DMX Address example below). DMX address will be listed on the back of each fixture.

Fixture	DMX Address	
	Uplight (ex. X)	Downlight (ex. X+1)
#1	1	2
#2	3	4
#3	5	6

The LED fixture provide RJ45 Socket to connect. (DMX cable NOT included.)  
 The final fixture should be terminated by the use of DMX Terminator (by others).

CONNECTION	RJ45 (CAT5e)
Common	WHITE/BROWN(PIN7) & BROWN(PIN 8)
Signal -	ORANGE(PIN 2)
Signal +	WHITE/ORANGE(PIN 1)
Spare	-
Spare	-

RJ45 Sockets



DMX IN DMX OUT

## Compatible DMX Cabling List

DMX uses a cable consisting of two twisted pairs plus a shield to carry data. The cable must be specifically impedance matched for the digital DMX signal, meaning that microphone cable or other non-rated cable **must not be used to carry DMX**. Network cable (Cat5, 5e or 6 cable) may be used to carry DMX in an installation; however special consideration must be given to shielding and termination. Under no circumstances should solid core cable like Cat5 be terminated into a screw down connector.

Meteor recommends the use of Belden 9729 for DMX installation. Belden 9729 is a two pair cable, which allows for a spare pair for 'out and back' type terminations if needed. Below is a list of other compatible Belden cables.

**Mounting Options**

