

DUO 4 - Mini



Elegant Up and Downlight Luminaire

The DUO is an elegant up/down pendant from Meteor that has a power-cord free design. With dual switching, tunable white and RGB uplight compatibility, this is a contemporary pendant embedded with brilliant technology and versatility.

Quantity	Type
Project	Note

Electrical System

- 2500 lm (30W) Uplight: 15W / Downlight: 15W
- Power Input: Universal (120-277V)
- Operating Temperature: -13°F~104°F
- Surge Protection: 2.5KV
- Power Factor Greater than 0.9

LED Technology

- 2700K, 3000K, 3500K, 4000K
- 85 CRI, 93 CRI
- Beam Angle:
 - Down: 35°, 45°, 60°, WD
 - Up: 35°, 45°, 60°, WD
- UGR ≤19
- Rated Life > 60,000 Hours (L70)

(Proprietary VX Driver is incorporated to all dimming options for video flicker-free lighting)

- Non-Dimming
- DMX: high resolution dims to 0.1% (Supports ANSI E1.20 RDM protocol)
- Standard 0-10V: dims to 10%
- Superior 0-10V: dims to 1%
- LTE: Hi-Lume 1% 2-wire LED Driver (120V forward phase only)
- LDE1: Hi-Lume 1% EcoSystem LED Driver with Soft-on, Fade-to-Black (UNV only)

Housing

- Diameter: 4.8" (122mm)
- Height: 9" (228mm)
- Material: Aluminum
- Weight: 7.5 lbs
- Canopy Height: 2.95"

Mounting

- Power Line Mount 2ft, 4ft, 6ft, 8ft, 10ft with High Lumen Power Suspension (Canopy Height: 2.95")
- Power Line Mount 2ft, 4ft, 6ft, 8ft, 10ft with High Lumen Power Suspension and Remote Power (Canopy Height: 0.84")
- Remote Emergency Pack

Warranty

- 5 year limited warranty

Listing

- ETL Listed



DUO 4 - Mini



How To Specify:

Ordering Example: DUO4M-30-408-U-DMX-6035-B-PL6

4-5 weeks lead time on over 75% of specifications.

Model	Wattage	CCT / CRI	Voltage	Dimming
<input type="text" value="DUO4M"/>	<input type="text" value="30"/>	<input type="text"/>	<input type="text"/>	<input type="text"/>
DUO4M Duo 4 Mini	30 Downlight: 15W Uplight: 15W	278 2700K / CRI85 308 3000K / CRI85 358 3500K / CRI85 408 4000K / CRI85 279 2700K / CRI93 309 3000K / CRI93 359 3500K / CRI93	U 120-277V	NOD NON-Dimming DMX DMX dims to 0.1% (XLR Sockets) SPV Superior 0-10V dims to 1% STV Standard 0-10V dims to 10% LTE Hi-Lume 1% 2-wire LED Driver (120V forward phase only) LDE1 Hi-Lume 1% EcoSystem LED Driver with Soft-on, Fade-to-Black (UNV only)

* All dimming option controls Uplight and Downlight Together.

Beam Angle

Downlight:

35 35°
45 45°
60 60°
WD¹ WIDE

Uplight:

35 35°
45 45°
60 60°
WD¹ WIDE

¹ Please factor in change in lumen output with diffuser (-20% with WD; -12% with other degrees).

Finish

B Black
W White



Mounting

PL2 (2 or 4 or 6 or 8 or 10) Power Line Mount
PL2RM (2 or 4 or 6 or 8 or 10) Power Line Mount Remote Power
EMP Remote Emergency Pack

DUO 4 - Mini

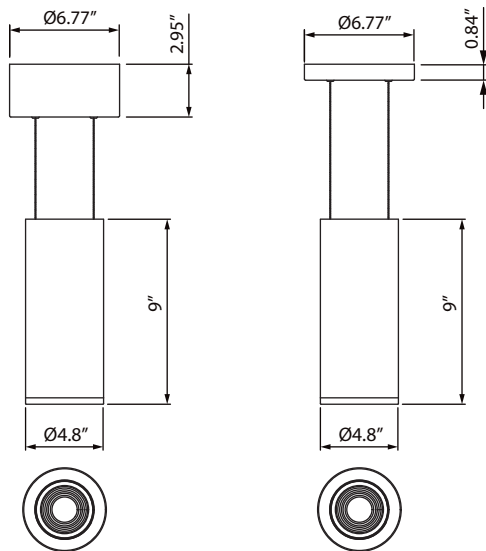


Delivered Lumens*

CCT	Wattage 30W	
	UP (15W)	DOWN (15W)
4000K	1250 lm	1250 lm
3500K	1195 lm	1195 lm
3000K	1160 lm	1160 lm
2700K	1110 lm	1110 lm

*Tolerance: 8%

Dimensions



With Remote Power
(Remoted length can be 50ft max.)

DUO 4 - Mini



DMX Requirements*

Each DUO 4 Mini LED fixture with DMX is a ONE CHANNEL DMX unit.

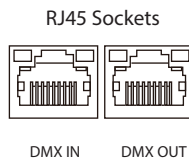
Fixture will be controlled by DMX number controlling intensity.

We do not recommend more than 32 fixtures per DMX daisy chain.

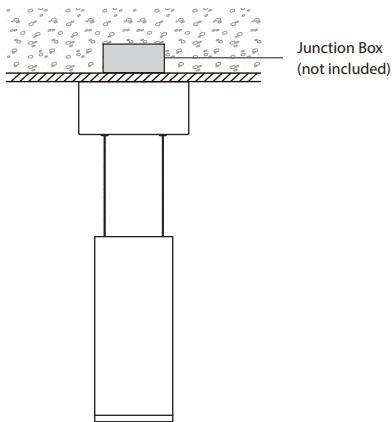
When placing order, please indicate DMX address (refer to DMX Address example below).

DMX address will be listed on the back of each fixture

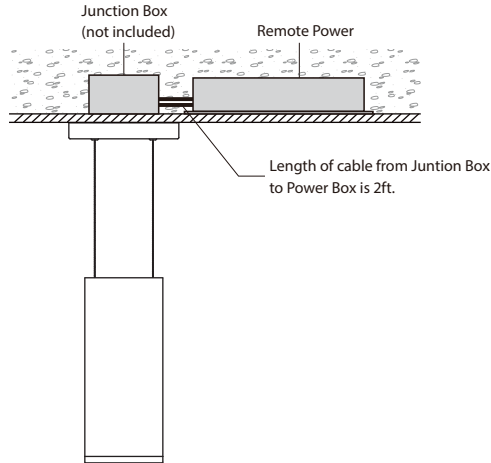
CONNECTION	RJ45 (CAT5e)
Common	WHITE/BROWN(PIN7) & BROWN(PIN 8)
Signal -	ORANGE(PIN 2)
Signal +	WHITE/ORANGE(PIN 1)
Spare	-
Spare	-



Mounting Options



Power Line Mount
with High Lumen Power Suspension



Power Line Mount
with High Lumen Power Suspension
and Remote Power