

ADVANCED HIGH CEILING  
**DUO 4 - Mini**



**Elegant Up and Downlight Luminaire**

The DUO is an elegant up/down pendant from Meteor that has a power-cord free design. With dual switching, tunable white and RGB uplight compatibility, this is a contemporary pendant embedded with brilliant technology and versatility.

Quantity	Type
Project	Note

**Electrical System**

- 2500 lm (30W) Uplight: 15W / Downlight: 15W
- Power Input: Universal (120-277V)
- Operating Temperature: -13°F~104°F
- Surge Protection: 2.5KV
- Power Factor Greater than 0.9

**Housing**

- Diameter: 4.8" (122mm)
- Height: 9" (228mm)
- Material: Aluminum
- Weight: 7.5 lbs
- Canopy Height: 2.95"

**LED Technology**

- 2700K, 3000K, 3500K, 4000K
- 85 CRI, 93 CRI
- Beam Angle:  
Down: 35°, 45°, 60°, WD  
Up: 35°, 45°, 60°, WD
- UGR ≤19
- Rated Life > 60,000 Hours (L70)

**Mounting**

- Power Line Mount 2ft, 4ft, 6ft, 8ft, 10ft with High Lumen Power Suspension (Canopy Height: 2.95")
- Power Line Mount 2ft, 4ft, 6ft, 8ft, 10ft with High Lumen Power Suspension and Remote Power (Canopy Height: 0.84")
- Remote Emergency Pack

**Advanced Dimming**

(Proprietary VX Driver is incorporated to all dimming options for video flicker-free lighting)

- **Non-Dimming**
- **DMX:** high resolution dims to 0.1% (Supports ANSI E1.20 RDM protocol)
- **Superior 0-10V:** dims to 1%
- **LTE:** Hi-Lume 1% 2-wire LED Driver (120V forward phase only)
- **LDE1:** Hi-Lume 1% EcoSystem LED Driver with Soft-on, Fade-to-Black (UNV only)

**Warranty**

- 5-year limited warranty

**Listing**

- ETL Listed



# DUO 4 - Mini





## How to Specify:

**Ordering Example: DUO4M-30-408-U-DMX-6035-B-PL6**

**4-5 weeks lead time on over 75% of specifications.**

Model	Wattage	CCT / CRI	Voltage	Dimming
DUO4M			UNV	
DUO4M DUO4 Mini	<b>30</b> Downlight: 15W Uplight: 15W	<b>278</b> 2700K / CRI85 <b>308</b> 3000K / CRI85 <b>358</b> 3500K / CRI85 <b>408</b> 4000K / CRI85 <b>279</b> 2700K / CRI93 <b>309</b> 3000K / CRI93 <b>359</b> 3500K / CRI93	<b>U</b> 120-277V	<b>NOD</b> Non-Dimming <b>STV</b> Superior 0-10V dims to 10% <b>SPV</b> Superior 0-10V dims to 1% <b>LTE</b> Hi-Lume 1% 2-wire LED Driver (120V forward phase only) <b>LDE1</b> Hi-Lume 1% EcoSystem LED Driver with Soft-on, Fade-to-Black (UNV only) <b>DMX</b> DMX dims to 0.1% (XLR Sockets)
NOTE: All dimming options controls Uplight and Downlight Together.				

Beam Angle		Finish	Mounting
<b>Downlight</b>	<b>Uplight</b>	<b>B</b> Black <b>W</b> White	<b>PL2</b> (2 or 4 or 6 or 8 or 10) Power Line Mount <b>PL2RM</b> (2 or 4 or 6 or 8 or 10) Power Line Mount Remote Power <b>EMP</b> Remote Emergency Pack
<b>15</b> 15°	<b>35</b> 35°		
<b>25</b> 25°	<b>60</b> 60°		
<b>35</b> 35°	<b>*WD</b> WIDE		
<b>60</b> 60°			
<b>*WD</b> WIDE		<b>B</b>  <b>W</b> 	
*Please factor in-20% lumen output with diffuser.			

ADVANCED HIGH CEILING  
**DUO 4 - Mini**

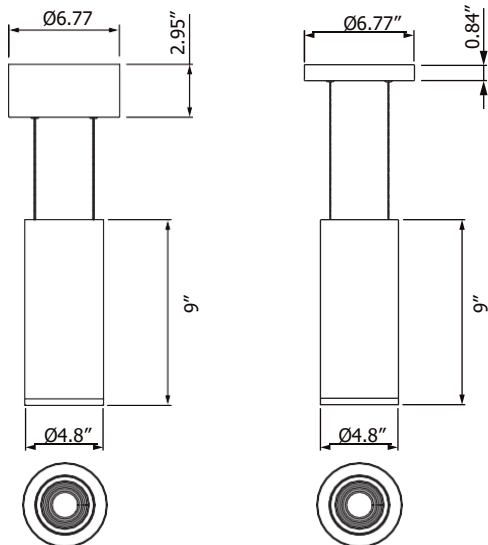


**Delivered Lumens\***

CCT \ Wattage	30W	
	UP (15W)	DOWN (15W)
4000K	1250 lm	1250 lm
3500K	1195 lm	1195 lm
3000K	1160 lm	1160 lm
2700K	1110 lm	1110 lm

\*Tolerance ± 8%

**Dimensions**



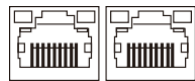
With Remote Power  
 (Remoted length can be 50ft max.)

**DMX Requirements\***

Each DUO 4 Mini DMX unit has TWO CHANNEL per fixture (1 to control uplight, 1 to control downlight). Fixture will be controlled by DMX number controlling intensity. We do not recommend more than 32 fixtures per DMX daisy chain. When placing order, please indicate DMX address (refer to DMX Address example below). DMX address will be listed on the back of each fixture.

CONNECTION	RJ45 (CAT5e)
Common	WHITE/BROWN(PIN7) & BROWN (PIN 8)
Signal -	ORANGE (PIN 2)
Signal +	WHITE/ORANGE (PIN 1)
Spare	-
Spare	-

RJ45 Sockets



DMX IN DMX OUT

The LED fixture provide RJ45 Socket to connect. (DMX cable NOT included.)  
 The final fixture should be terminated by the use of DMX Terminator (by others).

**Compatible DMX Cabling List**

DMX uses a cable consisting of two twisted pairs plus a shield to carry data. The cable must be specifically impedance matched for the digital DMX signal, meaning that microphone cable or other non-rated cable **must not be used to carry DMX**. Network cable (Cat5, 5e or 6 cable) may be used to carry DMX in an installation; however special consideration must be given to shielding and termination. Under no circumstances should solid core cable like Cat5 be terminated into a screw down connector.

Meteor recommends the use of Belden 9729 for DMX installation. Belden 9729 is a two pair cable, which allows for a spare pair for 'out and back' type terminations if needed. Below is a list of other compatible Belden cables.

**Mounting Options**

